

# Captain's chairs

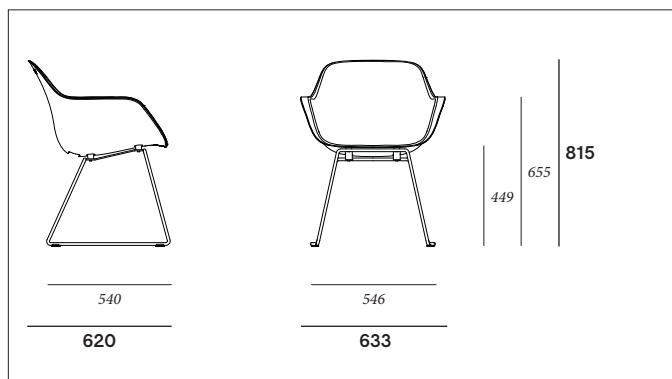
© design by Metrica

Sliding  
High sliding  
Woody's  
High woody's  
Rolling

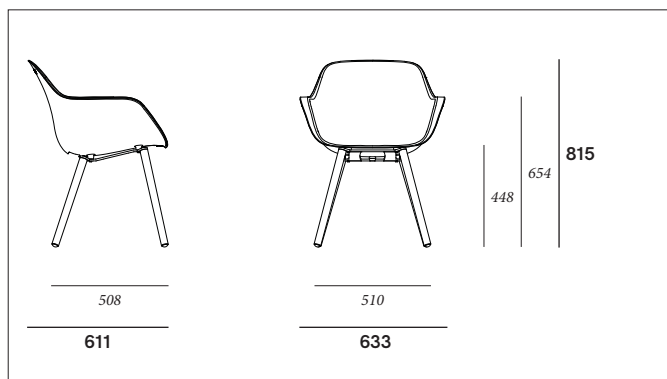
Paw  
Swivel  
Storage net  
Cushion  
Upholstery



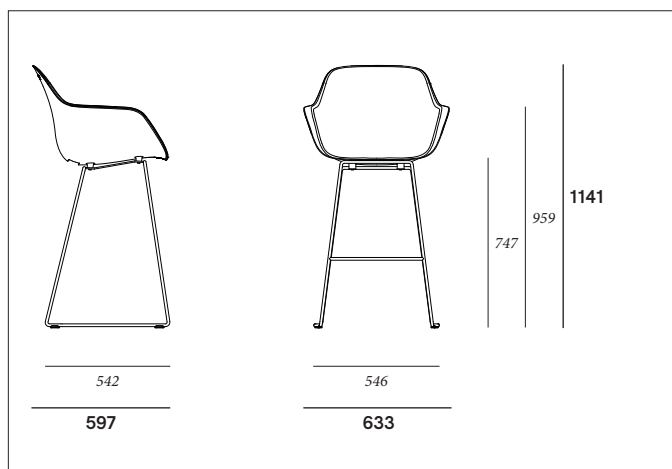
Sliding chair



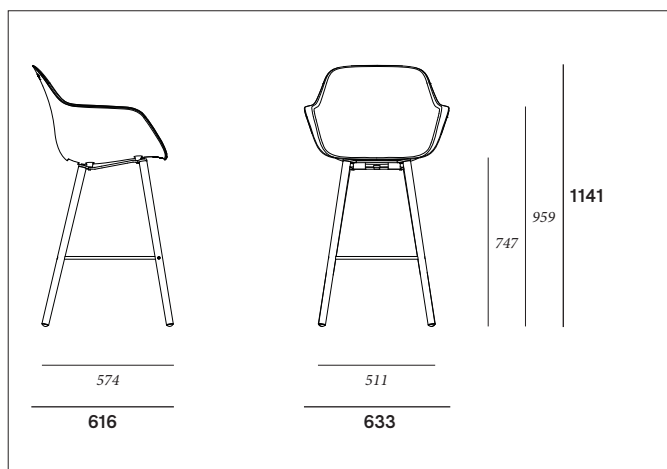
Woody's chair



High sliding chair



High woody's chair

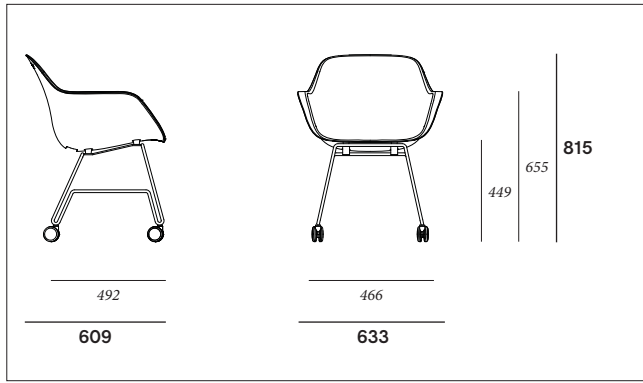


**extremis®**

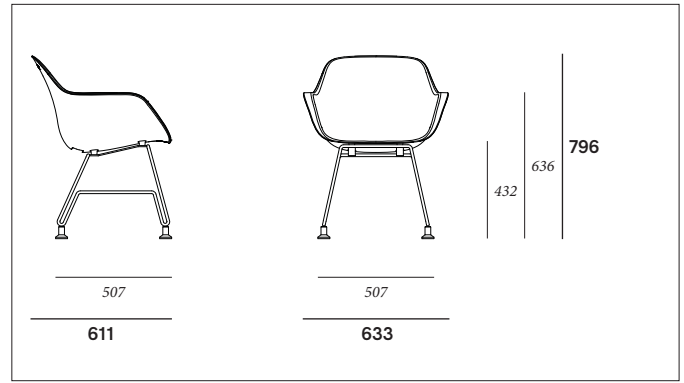
The content of this document, in particular the mentioned models, is protected by copyrights and/or design rights. The present document and its content is communicated to you for information purposes only. Any partial or total reproduction or any other use without our prior written permission is strictly prohibited. This technical sheet remains subject to possible changes. **All dimensions are in mm**, unless mentioned otherwise. Extremis is not responsible for the errors in the documentation of products. All measurements are approximate and are provided for informational purposes only.

**Tech sheet**  
20170823

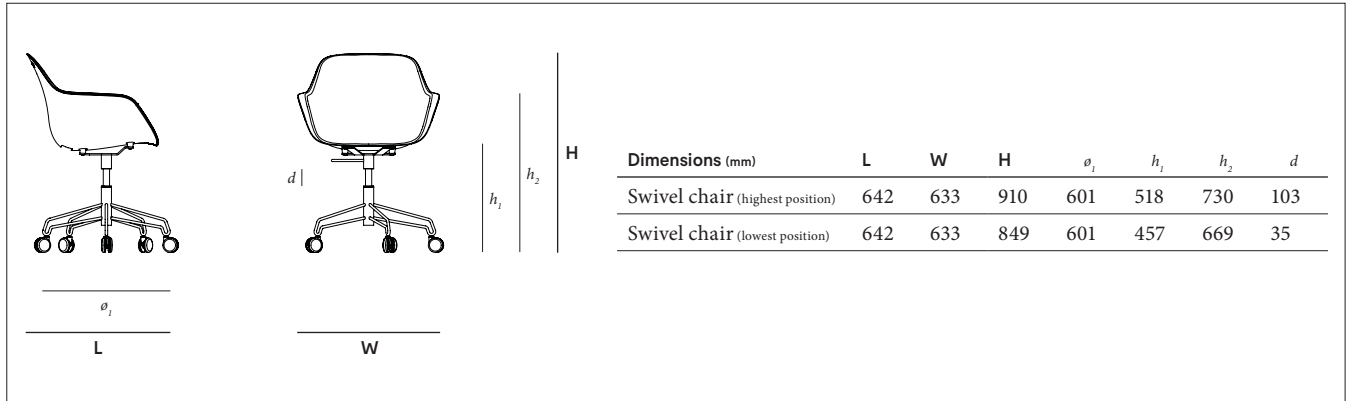
Rolling chair



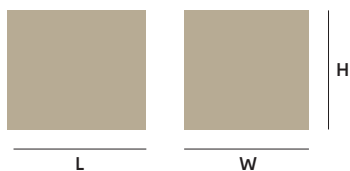
Paw chair



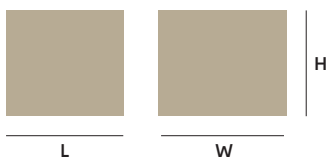
Swivel chair



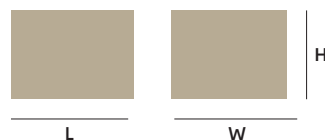
BOX 1: SHELL



BOX 2: FRAME



BOX 3: SHELL + FRAME



BOX 4: FRAME



BOX 5: LEGS



Box dimensions (mm)		L	W	H	Qty (#)	Volume (m <sup>3</sup> )	Gross weight (kg)	Net weight (kg)	Packaging weight (kg)
Sliding chair	Box 1	735	665	490	1	0,24	7,20	4,00	3,20
	Box 2	590	590	470	1	0,16	6,90	3,50	3,40
<b>total:</b>						<b>0,40</b>	<b>14,10</b>	<b>7,50</b>	<b>6,60</b>
High Sliding chair	Box 1	735	665	490	1	0,24	7,20	4,00	3,20
	Box 2	590	590	750	1	0,26	8,60	5,20	3,40
<b>total:</b>						<b>0,50</b>	<b>15,80</b>	<b>9,20</b>	<b>6,60</b>
Rolling chair	Box 1	735	665	490	1	0,24	7,20	4,00	3,20
	Box 2	590	590	470	1	0,16	7,46	4,06	3,40
<b>total:</b>						<b>0,40</b>	<b>14,66</b>	<b>8,06</b>	<b>6,60</b>
Paw chair	Box 1	735	665	490	1	0,24	7,20	4,00	3,20
	Box 2	590	590	470	1	0,16	7,10	3,70	3,40
<b>total:</b>						<b>0,40</b>	<b>14,30</b>	<b>7,70</b>	<b>6,60</b>
Swivel chair	Box 3	650	610	470	1	0,19	12,55	9,55	3,00
Woody's chair	Box 1	735	665	490	1	0,24	7,20	4,00	3,20
	Box 4	430	390	70	1	0,01	3,06	2,66	0,40
	Box 5	870	155	80	1	0,01	3,03	2,69	0,34
<b>total:</b>						<b>0,26</b>	<b>13,29</b>	<b>9,35</b>	<b>3,94</b>
High Woody's chair	Box 1	735	665	490	1	0,24	7,20	4,00	3,20
	Box 4	430	390	70	1	0,01	4,20	3,80	0,40
	Box 5	870	155	80	1	0,01	4,41	4,07	0,34
<b>total:</b>						<b>0,26</b>	<b>15,81</b>	<b>11,87</b>	<b>3,94</b>

There are **maximum 6 shells per box**: 0,29 m<sup>3</sup> | Gross weight (kg): 24,00 | Net weight (kg): 27,20

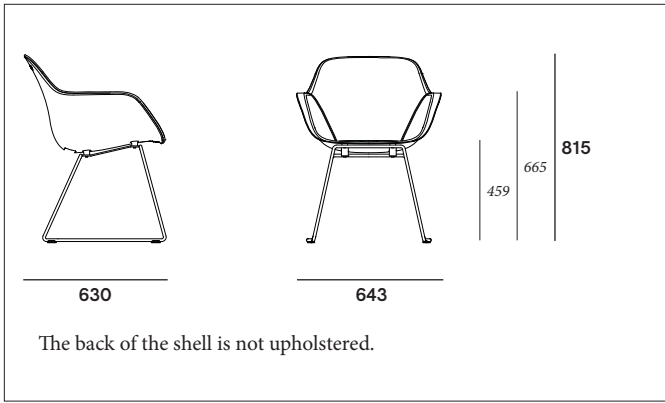
There are **maximum 6 sliding frames per box**: 0,18 m<sup>3</sup> | Gross weight (kg): 21,00 | Net weight (kg): 24,40

There are **maximum 2 high sliding frames per box**: 0,27 m<sup>3</sup> | Gross weight (kg): 10,40 | Net weight (kg): 13,80

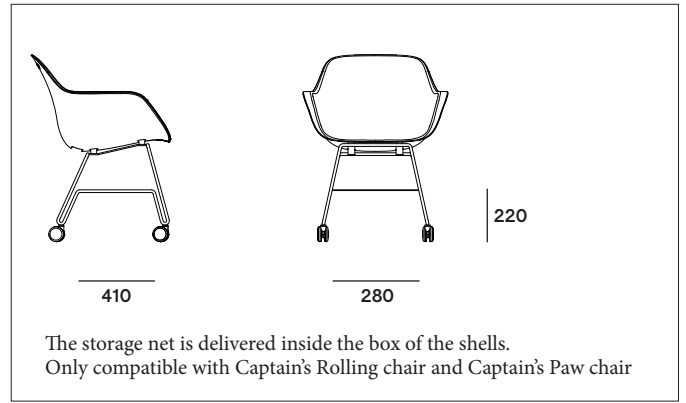
There are **maximum 6 rolling frames per box**: 0,18 m<sup>3</sup> | Gross weight (kg): 24,36 | Net weight (kg): 27,76

There are **maximum 6 paw frames per box**: 0,18 m<sup>3</sup> | Gross weight (kg): 22,20 | Net weight (kg): 25,60

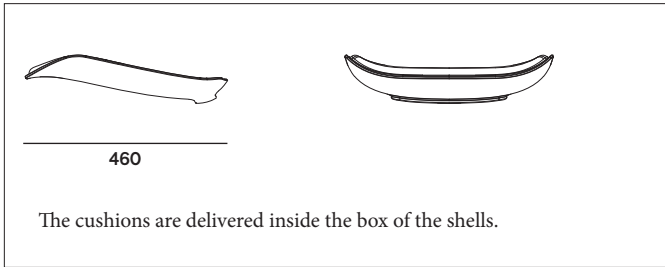
### Upholstery




### Storage net



### Cushion



## Materials & colours



**Shell**

Polypropylene\*

---

**Frames**

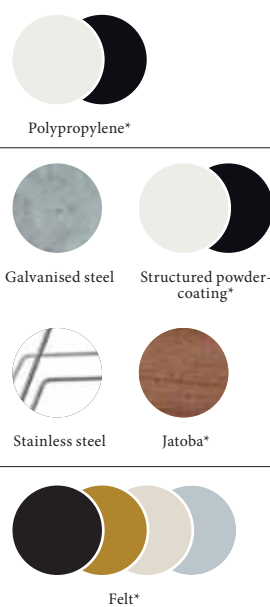
Galvanised steel    Structured powder-coating\*

Stainless steel    Jatoba\*


---

**Cushion & upholstery**

Felt\*



\*Subject to change, check price list or [www.extremis.com](http://www.extremis.com)

Materials	Key facts	Thickness	Layer thickness	Density	In/outdoor	Water	UV colour fastness	Flame retarding
		mm	micron					
Polypropylene shell	<ul style="list-style-type: none"> <li>Reinforced polypropylene (17% fibre glass)</li> </ul>	5 - 8	n.a.	0,90 10 <sup>3</sup> kg/m <sup>3</sup>	Outdoor & indoor	n.a.	Very good UV-resistance	/
Powder-coated steel legs (sliding & high sliding chair)	<ul style="list-style-type: none"> <li>Easy to clean</li> <li>Cold galvanised, then powder-coated</li> </ul>	12	100	7,50 10 <sup>3</sup> kg/m <sup>3</sup>	Outdoor & indoor	n.a.	Very good: colour can fade to some extent when exposed to UV	NEN-EN13501-1 A1 *
Hot dip galvanised steel frame, legs and backrests	<ul style="list-style-type: none"> <li>Most durable method for protecting metal from rusting</li> <li>Protective layer</li> <li>Very long life span</li> <li>100% recyclable</li> <li>Cradle to Cradle Certified™</li> </ul>	2 - 10	50 - 100	7,50 10 <sup>3</sup> kg/m <sup>3</sup>	Outdoor & indoor	n.a.	Very good, galvanisation will however become less shiny when used outdoors	NEN-EN13501-1 A1 *
Stainless steel legs (Rolling & paw chair)	<ul style="list-style-type: none"> <li>High rust resistance</li> <li>Periodical maintenance required</li> </ul>	12	n.a.	8,00 10 <sup>3</sup> kg/m <sup>3</sup>	Outdoor & indoor	n.a.	No effect	NEN-EN13501-1 A1 *
Jatoba legs (Woody & High woody's chair)	<ul style="list-style-type: none"> <li>Exceptional quality</li> <li>Characteristics: durability &amp; stability</li> <li>Bleeds when wood is exposed to rain for the first few times</li> <li>The dye is water-soluble</li> </ul>	35	n.a.	780 kg/m <sup>3</sup>	Outdoor & indoor	n.a.	Untreated wood turns grey after a while	/
								
Felt cushion & upholstery	<ul style="list-style-type: none"> <li>100% virgin wool felt</li> <li>Polyester fibre spring filling</li> <li>50,000 Martindale</li> <li>Pilling = 4 (scale 1 - 5)</li> <li>Rapidly renewable resource</li> </ul>	20	n.a.	460 g/m <sup>2</sup>	Store indoors	n.a.	(ISO 105-B02: 2014)	/
PVC coated polyester mesh	<ul style="list-style-type: none"> <li>Extremely strong</li> <li>Exceptional tear strength</li> <li>Excellent UV resistance</li> <li>Robust</li> <li>100% recyclable</li> </ul>	0,7	n.a.	590 g/m <sup>2</sup>	Outdoor & indoor	n.a.	≥ 7 (QUVTEST T30-036 lamp UVA 340)	DIN 4102-B2/M2 **

\* NEN-EN13501-1 A1

Class A1 products will not contribute to fire in any stage, including fully developed fire. For this reason, they are assumed to be capable of satisfying all requirements of all lower classes as well.

\*\* DIN 4102 - B2/M2:

Kleinbrenner: Class B2: All materials used in buildings in Germany need to meet the B2 requirement which is determined using a small flame test.

STAINS SHOULD BE REMOVED IMMEDIATELY WITH A CLEAN, SOFT CLOTH, PARTICULARLY IN CASE OF DARK-COLOURED LIQUIDS SUCH AS WINE, INK, COFFEE, COKE, OIL OR BIRD DROPPINGS. IF LEFT TO DRY, THESE LIQUIDS MAY CAUSE PERMANENT DAMAGE!



## Applications

**Residential:** on terraces, patios, at a dining table, at a desk, shared gardens. Indoor as well as outdoor.

**Project:** hotel and catering industry, company terraces, public spaces, squares, event venues, schools, office, meeting room, bar, office, ...

Captain's chair combines perfectly with Marina table, Marina combo & Pontsün.



## F.a.q.

**Q:** Is the chair weatherproof?

**A:** Yes, except for the versions with wheels and upholstery. The shell and frame of the Captain's chair are made of durable, UV- & water proof materials. The shape of the shell makes sure water can evacuate easily.

## Website

[www.extremis.com/captainschair](http://www.extremis.com/captainschair)

## Instructions

Captain's chair can only be mounted with a hexagon socket wrench no. 4.

## Good to know

- Because the shells and frames are separately stackable, they do not take up a lot of transport volume.

There are maximum 6 shells per box: 0,27 m<sup>3</sup>  
There are maximum 6 frames per box: 0,21 m<sup>3</sup>

- We do not recommend the use of the Rolling & Swivel chair outside, the chairs can be blown away due to its wheels.
- The upholstered shell is made for indoor use only.
- No need for extra straps to fix the cushions.
- There is a water drain and ventilation hole in the shell.

## Maintenance

Find maintenance instructions at the downloads section of [extremis.com](http://extremis.com) for:

### SHELL

- Use common kitchen cleaning products. Avoid using aggressive products. These surfaces are best cleaned with a neutral cleaning product diluted in water.
- In case of stubborn stains, we recommend using a magic sponge.

### POWDER-COATED FRAMES

- White powder-coating requires more maintenance obviously
- Cleaning stains with a magic eraser

### GALVANISED FRAME

- How to repair a damaged zinc layer

### WOOD

- Cleaning regularly with mild detergent
- Thorough cleaning with Extremis Wood Cleaner
- Oiling the wood with Extremis Wood Protector. We recommend oiling the wood once or twice a year. 1x before the summer and 1x after the summer as protection for the winter.
- In order to smoothen the surface again after a thorough cleaning, lightly sand your wood with 80 grit sanding paper or a sanding pad.

### STAINLESS STEEL

- Clean regularly with with a dry cloth and some stainless steel cleaner.