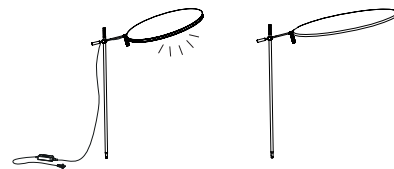


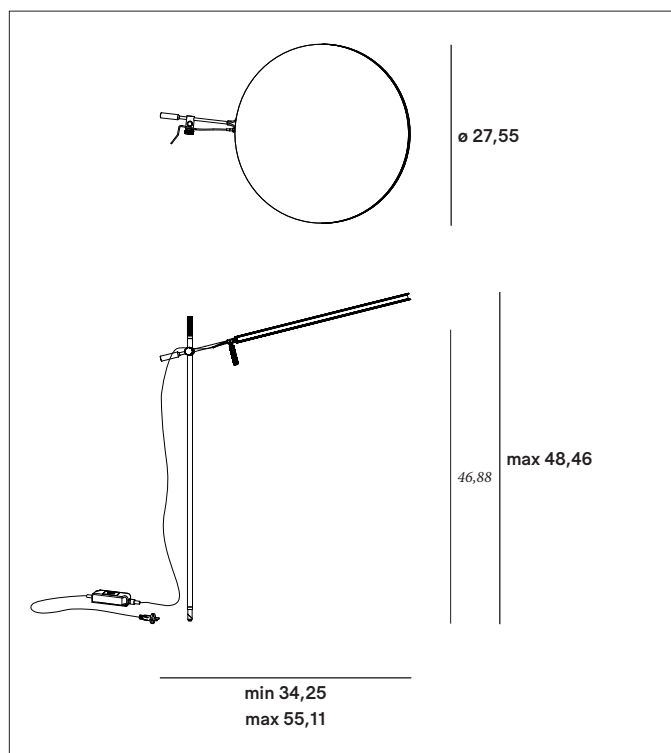
# Sol+Luna parasol

© design by Dirk Wynants

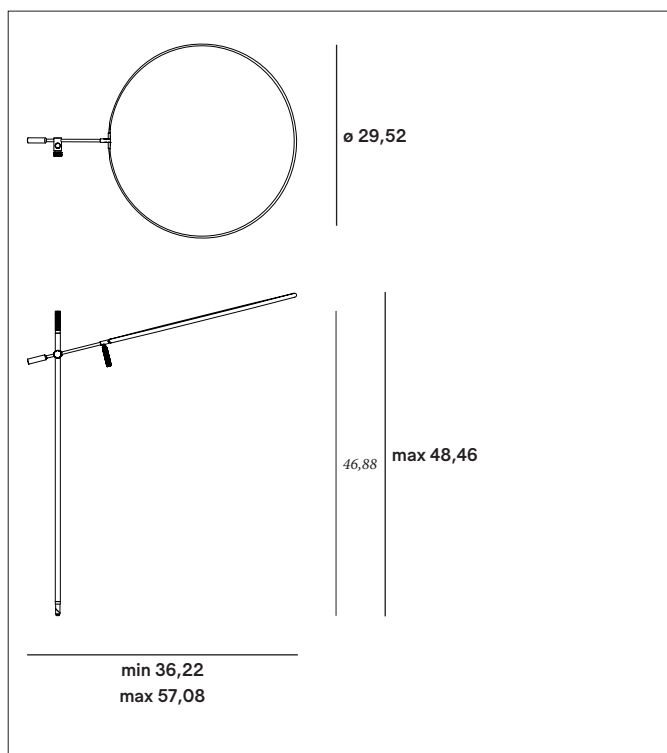
Parasol with light  
Flat parasol



## Parasol with light



## Flat parasol



BOX 1: FABRIC WITH SLIDING SYSTEM & POWER SUPPLY

PLASTIC BAG 1: TUBE



Box dimensions (inch)		L	W	H	Qty (#)	Volume (ft <sup>3</sup> )	Gross weight (lb)	Net weight (lb)	Packaging weight (lb)
Parasol with light	Box 1	31,10	31,10	2,04	1	1,05	10,03	6,55	3,48
	Bag 1	49,21	0,78	0,78	1	0,35	2,55	2,33	0,22
					<b>total:</b>	<b>1,40</b>	<b>12,58</b>	<b>8,88</b>	<b>3,70</b>
Parasol	Box 1	31,10	31,10	2,04	1	1,05	6,32	2,84	3,48
	Bag 1	49,21	0,78	0,78	1	0,35	2,55	2,33	0,22
					<b>total:</b>	<b>1,40</b>	<b>8,87</b>	<b>5,17</b>	<b>3,70</b>

**extremis®**

The content of this document, in particular the mentioned models, is protected by copyrights and/or design rights. The present document and its content is communicated to you for information purposes only. Any partial or total reproduction or any other use without our prior written permission is strictly prohibited. This technical sheet remains subject to possible changes. All dimensions are in inch, unless mentioned otherwise. Extremis is not responsible for the errors in the documentation of products. All measurements are approximate and are provided for informational purposes only.

**Tech sheet**  
20171006



## Materials & colours



Materials	Key facts	Thickness inch	Layer thickness micron	Density	In/outdoor	Water	UV colour fastness	Flame retarding
High-tech polyester parasol fabric	<ul style="list-style-type: none"> <li>• High UV resistance and ultra strong</li> <li>• Low weight / high tear strength</li> <li>• Long-term appearance</li> </ul>	0,01	n.a.	8,81 oz/ft <sup>2</sup>	Outdoor & indoor	The fabric has a water column of 350 mm (EN 2081)	7/8 (ISO 105-B02)	/
LED	<ul style="list-style-type: none"> <li>• Colour temperature of 4500K (cool white) or 3000K (warm white)</li> <li>• 9,6 W</li> <li>• 24 V</li> </ul>	n.a.	n.a.	n.a.	Outdoor & indoor	IP67	/	/
Power supply	<ul style="list-style-type: none"> <li>• 100 - 240 V</li> <li>• 50 - 60 Hz</li> <li>• DC24V</li> <li>• 2500mA</li> <li>• IP68</li> </ul>	n.a.	n.a.	n.a.	Outdoor & indoor	IP68	/	/
Stainless steel tube AISI 316	<ul style="list-style-type: none"> <li>• High rust resistance</li> <li>• Periodical maintenance required</li> </ul>	0,07	n.a.	0,50 10 <sup>3</sup> lb/ft <sup>3</sup>	Outdoor & indoor	n.a.	Very good	NEN-EN13501-1 A1*
Cover	<ul style="list-style-type: none"> <li>• 100% polyester</li> <li>• Polyurethane coating</li> <li>• Breathable, so not 100% waterproof</li> </ul>	0,01	n.a.	8,46 oz/ft <sup>2</sup>	Outdoor & indoor	Water column of 350mm (EN 20811)	6-8/8 (ISO 105-B02)	/

\* NEN-EN13501-1 A1

Class A1 products will not contribute to fire in any stage, including fully developed fire. For this reason, they are assumed to be capable of satisfying all requirements of all lower classes as well.

FOR VENTILATION PURPOSES, THE COVER IS NOT 100% WATER PROOF.

STORE THE PARASOL WHEN NOT IN USE FOR A LONG TIME AS FOLLOWS: VERTICALLY, COMPLETELY DRY AND IN A DRY ENVIRONMENT.

IF YOU ARE NOT USING THE PARASOL, USE THE COVER TO AVOID THE PARASOL FROM OPENING OR GETTING DIRTY.

DO NOT LEAVE THE PARASOL UNATTENDED WHEN OPENED.



## Applications

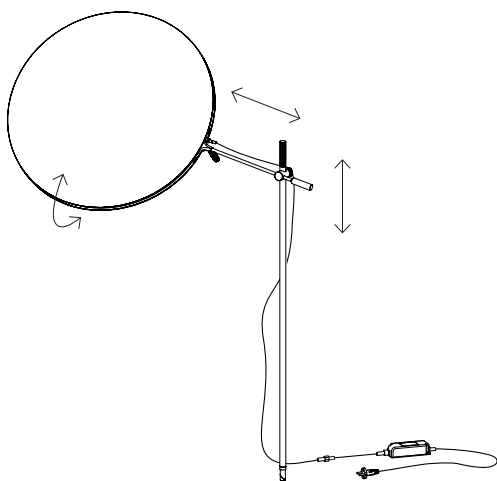
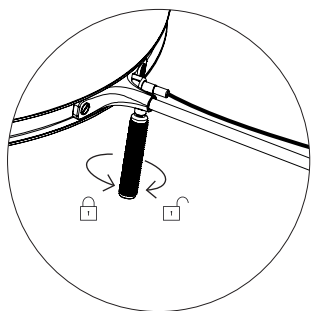
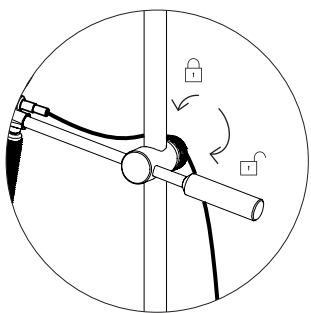
**Residential:** In the city, roof terraces are the most sought-after places. Whether you put a sunbed on a private terrace or beside the swimming pool on the top floor of a hotel, don't you want to be able to use the space it takes up in the evening as well?

**Project:** on terraces, patios, pools, rooftops, wellness and spa's. What kind of furniture is most suitable next to your pool? Now you have the option of having both sunbathing and lounging furniture at the same time.

Sol+Luna parasols comes in two versions. A version without light and a version with, cool or warm, light.

## How to use

- The parasols are fully adjustable: in height, rotatable in all directions, telescopic arm.



## F.a.q.

*Q: Can the parasol stay outdoors?*

*A: Yes, but we recommend to use a parasol cover.*

*Q: Do you need to use a parasol cover?*

*A: Using a cover is strongly recommended for use in most climates around the world. Protect your parasol from polluted rain, bird droppings, dust and heavy winds to avoid marks or stains on the parasol fabric.*

## Maintenance

*Find maintenance instructions at the downloads section of [extremis.com](http://extremis.com) for:*

### PARASOL FABRIC

- Shake or brush off loose dirt immediately.
- Spray Extremis Multi Cleaner.
- Use a soft brush and make circular movements.
- Let the suds soak in for a moment.
- Rinse thoroughly to remove all soap residue.
- Simply allow to dry.

## Website

[www.extremis.com/solluna](http://www.extremis.com/solluna)