

Kosmos shade

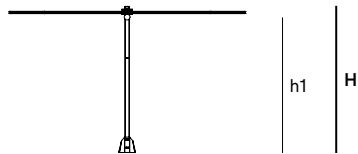
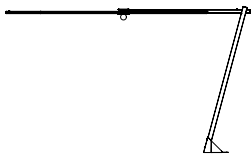
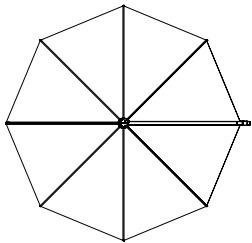
© Design by Dirk Wynants for Extremis, 2008

extremis®



Dimensions

The Kosmos round shade is available in 2 heights
In combination with floor fastening

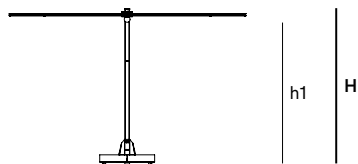
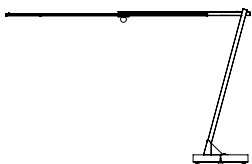


Dimensions (inch)	H	h1
Round shade	79	75
Round shade high	84.75	80.75

ø128.5

133.25

In combination with concrete base

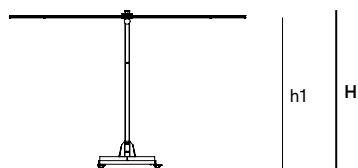
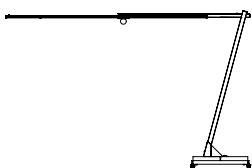


Dimensions (inch)	H	h1
Round shade	84.25	80
Round shade high	90	85.75

ø128.5

133.25

In combination with concrete wheel base

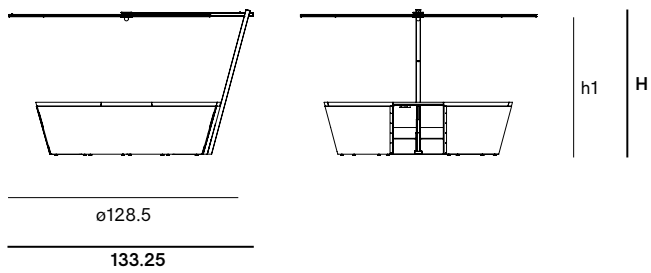


Dimensions (inch)	H	h1
Round shade	87.25	83
Round shade high	93	89

ø128.5

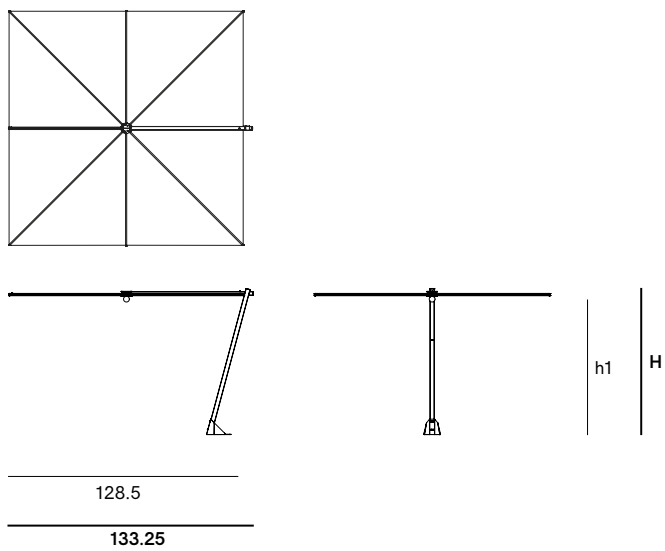
133.25

In combination with Kosmos 8-seater



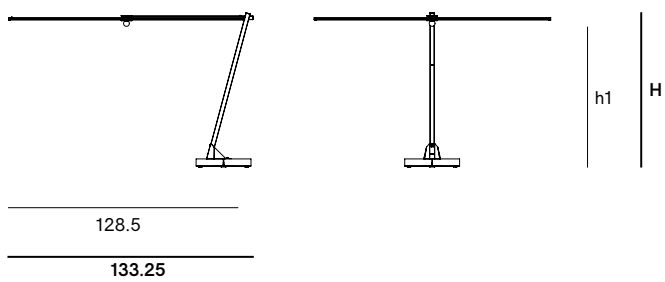
Dimensions (inch)	H	h1
Round shade	79	75
Round shade high	84.75	80.75

The Kosmos square shade is available in 2 heights
In combination with floor fastening



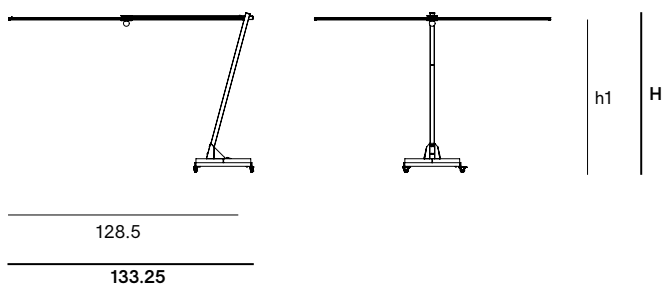
Dimensions (inch)	H	h1
Square shade	79	75
Square shade high	84.75	80.75

In combination with concrete base



Dimensions (inch)	H	h1
Square shade	84.25	80
Square shade high	90	85.75

In combination with concrete wheel base

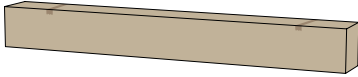


Dimensions (inch)	H	h1
Square shade	87.25	83
Square shade high	93	89

Box dimensions

The Kosmos shade comes in 1 box

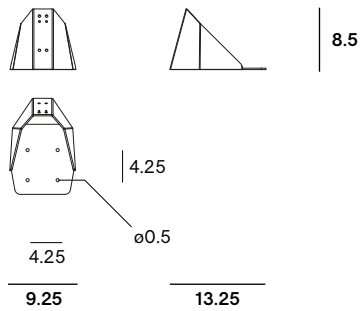
Box 1: Kosmos shade + Cover



Box dimensions (inch)		L	W	H	Qty	Volume (ft ³)	Gross weight (lb)	Net weight (lb)	Packaging weight (lb)
Kosmos round shade	Box 1	88.5	9.75	9.75	1	4,94	60,87	53,64	7,23
Kosmos round shade high	Box 1	88.5	9.75	9.75	1	4,94	67,48	60,25	7,23
Kosmos square shade	Box 1	105.25	10.25	11.5	1	7,06	65,81	58,58	7,23
Kosmos square shade high	Box 1	105.25	10.25	11.5	1	7,06	72,42	65,19	7,23

Floor fastening

The floor fastening (parasol base) is available one dimension



Box dimensions

The floor fastening (parasol base) comes in 1 box

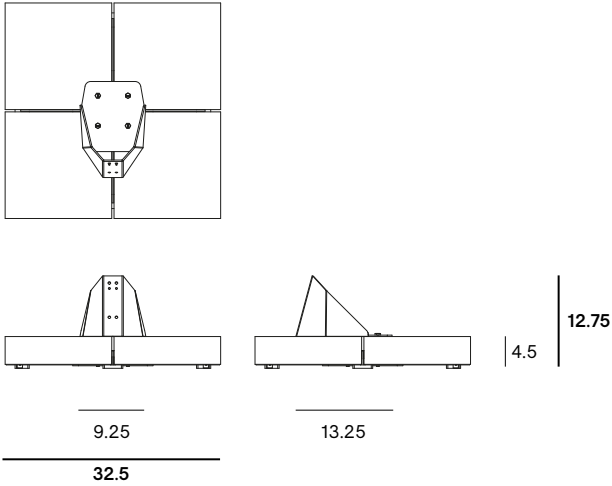
Box 2: Floor fastening (parasol base)



Box dimensions (inch)		L	W	H	Qty	Volume (ft ³)	Gross weight (lb)	Net weight (lb)	Packaging weight (lb)
Floor fastening	Box 2	12.5	9	10.75	1	0,71	11,90	11,46	0,44

Concrete base

The concrete base is available in one dimension



Box dimensions (inch)		L	W	H	Qty	Volume (ft ³)	Gross weight (lb)	Net weight (lb)	Packaging weight (lb)
Concrete base	Box 2	12.5	9	10.75	1	0,71	11,90	11,46	0,44
	Box 3	14.75	14.75	4	4	2,12	264,55	251,33	13,23
	Box 4	28.25	12.25	5	1	1,06	15,87	14,33	1,54
	Total:					3,89	292,32	277,12	15,51

Box dimensions

The concrete base comes in 6 boxes

Box 2: Floor fastening (parasol base)



Box 3: Concrete block

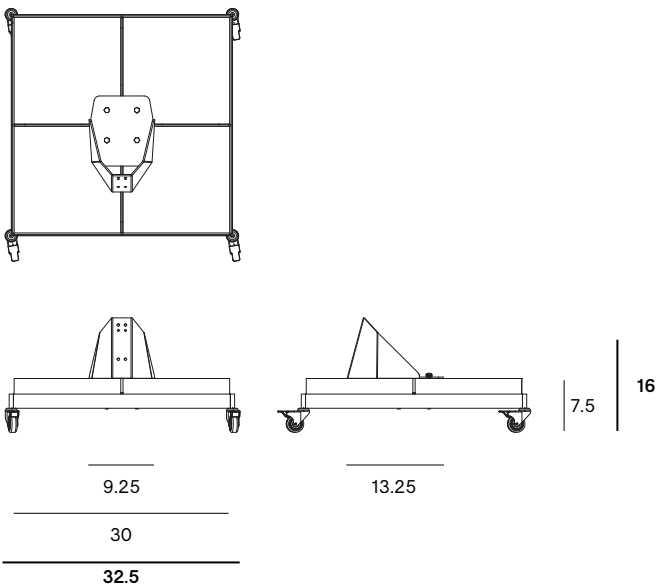


Box 4: Frame for concrete blocks



Concrete wheel base

The concrete wheel base is available in one dimension



Box dimensions

The concrete wheel base comes in 6 boxes

Box 2: Floor fastening (parasol base)



Box 3: Concrete block



Box 5: Frame for concrete wheel base

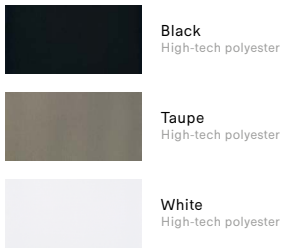


Box dimensions (inch)		L	W	H	Qty	Volume (ft ³)	Gross weight (lb)	Net weight (lb)	Packaging weight (lb)
Concrete wheel base	Box 2	12.5	9	10.75	1	0,71	11,90	11,46	0,44
	Box 3	14.75	14.75	4	4	2,12	264,55	251,33	13,23
	Box 5	33.5	33.5	6	1	3,88	49,38	46,30	3,09
	Total:					6,71	325,83	309,09	16,76

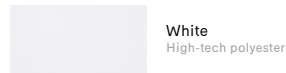
Materials & colors

Check price list or www.extremis.com for current materials & colors

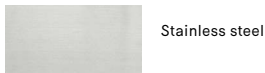
Fabric round shade



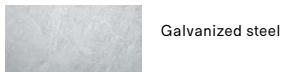
Fabric square shade



Pole



Base frames



Materials	Key facts	Thickness	Layer thickness	Density	In/outdoor	Water	UV color fastness	Flame retarding
		inch	micron					
High-tech polyester fabric	<ul style="list-style-type: none"> High UV resistance and ultra strong Low weight / high tear strength Long-term appearance 	0.01	n.a.	8,81 oz/ft ³	Outdoor & indoor	The fabric has a water column of 350 mm (EN 20811)	7/8 (ISO 105-B02)	/
Stainless steel parasol base	<ul style="list-style-type: none"> High rust resistance Periodical maintenance required 	0.07 - 0.63	n.a.	0,50 10 ⁹ lb/ft ³	Outdoor & indoor	n.a.	Very good	NEN-EN13501-1 A1 *
Hot dip galvanized steel base for concrete (wheel) base	<ul style="list-style-type: none"> Most durable method for protecting metal from rusting Protective layer Very long life span 100% recyclable Cradle to Cradle Certified™ 	0.07 - 0.39	50 - 100	0,47 10 ⁹ lb/ft ³	Outdoor & indoor	n.a.	Very good, galvanization will however become less shiny when used outdoors	NEN-EN13501-1 A1 *
Cover	<ul style="list-style-type: none"> 100% polyester Polyuréthane coating Breathable, so not 100% waterproof 	0.01	n.a.	14,10 oz/ft ²	Outdoor & indoor	Water repellent & breathable	6-8/8 (ISO 105-B02)	/

NEN-EN13501-1 A1


Class A1 products will not contribute to fire in any stage, including fully developed fire. For this reason, they are assumed to be capable of satisfying all requirements of all lower classes as well.







Warranty

Our quality promise, made solid. Material based warranty.

Each material has unique properties, and the warranty covers issues specific to each. Steel should not rust, coatings should not peel, and wood should not rot. We have outlined the warranty coverage for all materials in our Warranty Chart for your convenience.

Based on our 30 years of expertise with wood, fabrics and metals, we now offer 5 to 15 years warranty.

<p>15 — YEAR</p> 	<p>GALVANIZED STEEL Enjoy an impressive 15-year warranty on all galvanized steel parts. We proudly use this exceptional Cradle to Cradle certified technique to protect steel from rusting, incorporating it into nearly all our designs.</p>
<p>5 — YEAR</p> 	<p>COATED METALS, STAINLESS STEEL, WOOD AND SUNBRELLA We offer a comprehensive 5-year warranty on all powder coated metal parts, stainless steel components, wooden parts, and Sunbrella fabrics. This extension ensures that all key materials of our products are covered</p>

						
	Galvanized steel	Stainless steel	Coated metals	Wood species	Sunbrella fabrics	Other materials
Structural — Functional	15 years	5 years	5 years	5 years	5 years	2 years
Rust	15 years	5 years	5 years			
Wood rot				5 years		
Cracks				5 years for cracks > 4 mm		
Terms apply: Please read our commercial warranty statement here						

Good to know

- The parasol cover is included.
- You can open and close the parasol like a fan. The shade stays open by means of magnets.
- After a long time not being in use, it's possible that the magnets loose strength.
- We advise to close the shade and apply the included cover.



Maintenance

www.extremis.com/maintenance

PARASOL FABRIC

- Shake or brush off loose dirt immediately.
- Spray Extremis Multi Cleaner.
- Use a soft brush and make circular movements.
- Let the suds soak in for a moment.
- Rinse thoroughly to remove all soap residue.
- Simply allow to dry.

STAINLESS STEEL

- Clean regularly with a dry cloth and some stainless steel cleaner.

F.A.Q.

Q: How wind resistant is the shade?

A: Tests in a windtunnel have shown that the shade withstands wind speeds up to 31 mph when anchored to the floor. Still, we strongly advise to close it sooner (from wind speed 18 mph).

Q: Is the fabric 100% waterproof?

A: With light rain you stay easily seated underneath the shade. The fabric is slightly slanted in opened position. With heavy rain, the canvas lets through only a little bit of water. This is typical for the fabric and necessary, because the fabric should be able to ventilate.

Q: Do you need to use a parasol cover?

A: The cover is needed to protect and fix the parasol when not in use. Protect your parasol from polluted rain, bird droppings, dust and heavy winds to avoid marks or stains on the parasol fabric.

Warnings

General

- Do not use any sharp tools to open the packaging.
- We strongly advise against using power tools.
- Tripping hazard, mind your step.
- Do not put out cigarettes on the parasol.
- Not graffiti proof.
- To avoid danger of suffocation, keep plastic bags away from babies and children.
- Colors can differ over years and from batch to batch.

Product

- Anchoring the product has to be done by qualified people.
- For anchoring: use suitable bolts or screws from a specialized store depending on the material your terrace is made of.
- Store the parasol when not used for a long time as follows: vertically, completely dry and in a dry environment.

- Do not leave closed if not completely dry. Do not leave the parasol closed for a long time when the parasol fabric is still damp or wet.
- In case of strong winds, close the parasol and use the slip-cover to prevent the parasol from opening or getting dirty.
- Do not leave the parasol unattended when opened.
- Tests in a windtunnel have shown that the shade withstands wind speeds up to 31 mph when anchored to the floor. Still, we strongly advise to close it sooner (from wind speed 18 mph).

High-tech polyester

- Shake or brush off loose dirt immediately.
- Do not use any aggressive detergents as they will remove the protective coating of the fabric.
- We strongly advise you not to use a high-pressure hose for cleaning.

Stainless steel

- Very good UV color fastness.
- Flame retarding: NEN-EN13501-1 A1 - Class A1 products will not contribute to fire in any stage, including fully developed fire. For this reason, they are assumed to be capable of satisfying all requirements of all lower classes as well.
- Watch out, stainless steel isn't entirely rustproof! Be sure to avoid contact with iron objects. If it does show signs of rust, clean with rust remover as quickly as possible.

Concrete

- Matt and porous.
- Very good UV colour fastness.
- Flame retarding: NEN-EN13501-1 A1 - Class A1 products will not contribute to fire in any stage, including fully developed fire. For this reason, they are assumed to be capable of satisfying all requirements of all lower classes as well.

The content of this document, in particular the mentioned models, is protected by copyrights and/or design rights. The present document and its content is communicated to you for information purposes only. Any partial or total reproduction or any other use without our prior written permission is strictly prohibited. This technical sheet remains subject to possible changes. All dimensions are in inch, unless mentioned otherwise. Extremis is not responsible for the errors in the documentation of products. All measurements are approximate and are provided for informational purposes only.

**Tech
sheet**

20250523