



Tiki stools



Design

© Design by Dirk Wynants for Extremis, 2018

Extremis awards

- Henry Van De Velde Award, 2001
- Hermes Creative Award, 2002
- De Leeuw van de Export Award, 2003
- Design Management Europe Award, 2007
- Unizo KMO Laureaat, 2008
- Green Good Design Award, 2013
- Sustainable Enterprise, POM Vlaanderen, 2016

Text

With a pure, minimalist design, Tiki fits everywhere and brings the right vibe to any gathering – both indoors and outdoors!

The slender legs and round seat give it a pure, understated design. This stool blends seamlessly into any private or public setting, offering comfortable seating and support for tired feet. The stacking feature is what distinguishes it from the other bar stools on the

market. All versions of Tiki are stackable, even with the backrest accessory. The optional seat cushion locks into the water drainage hole.

Three height versions make the Tiki stool easy to use in a variety of settings.

- Three height versions
- Tiki bar stool: suitable for a bar height of 110 cm
- Tiki counter stool: suitable for a counter height of 90 cm
- Tiki stool suitable for a table height of 75 cm
- Stackable up to 8 high
- Tiki bar stool and counter stool have a footrest for a relaxed sitting posture
- Can stay outside all year long, thanks to the seat with water drainage hole
- Seat in solid oak (indoor use only) or powder coated aluminium (indoor and outdoor)
- Legs made from structured powder coated zinc steel (In black RAL9005, White RAL9016, Verdigris, Earth and Copper brown RAL8004, custom color possible on request as from 10 pieces without surcharge)
- Low maintenance
- Suitable for indoors and outdoors (oak seat are indoor use only)
- Optional cushion in Sunbrella only for the powder coated seats - Natté Grey chine, Natté Dark taupe, Lopi Marble, Lopi Charcoal, Heritage Leaf green, Heritage Indigo, Loto Domino and Domino Craps
- Optional backrest (In black RAL9005, White RAL9016, Verdigris, Earth and Copper brown RAL8004)
- Optional protection sliding feet with felt (for indoor use)
- Max. 1 person or 120 kg per seat

More info:

- Tiki bar stool <https://www.extremis.com/en/collections/tiki/tiki-bar-stool>
- Tiki counter stool <https://www.extremis.com/en/collections/tiki/tiki-counter-stool>
- Tiki stool <https://www.extremis.com/en/collections/tiki/tiki-stool>

Construction

Seat:

- Structured powder coated aluminium (In black RAL9005, White RAL9016, Verdigris, Earth and Copper brown RAL8004, custom color possible on request as from 10 pieces without surcharge)
- Oak (indoor use only)

Legs:

- Structured powder coated zinc steel (In black RAL9005, White RAL9016, Verdigris, Earth and Copper brown RAL8004, custom color possible on request as from 10 pieces without surcharge)

Footrest

- Stainless steel

Optional backrest:

- Structured powder coated stainless steel (In black RAL9005, White RAL9016, Verdigris, Earth and Copper brown RAL8004, custom color possible on request as from 10 pieces without surcharge)

Optional cushions:

- Natté Grey chine, Natté Dark taupe, Lopi Marble, Lopi Charcoal, Heritage Leaf green, Heritage Indigo, Loto Domino and Domino Craps

Materials info

Structured powder coated Aluminium (seat):

- A technique of applying dry paint to a part
- Texture coating is sprayed dry on an object that is electrostatically charged
- More scratch-resistant than non-textured coatings
- Thickness 1,5 mm
- Layer thickness 50-100 microns
- Density: $2.70 \cdot 10^3 \text{kg/m}^3$
- Outdoors and indoors
- Very good UV fastness
- Flame retarding (NEN-EN13501-1 A2-s1)

Oak (seat):

- Type of hardwood commonly used for furniture making, flooring, barrel making or timber frame buildings
- Oiled
- Feels comfortable in all indoor conditions
- Thickness of the seat: 30 mm (+- 2 mm)
- Density: $8 \cdot 10^3 \text{kg/m}^3$
- Indoor use only
- Natural product with a warm appearance

Structured powder coated zinc steel (legs):

- Cold galvanized, then powder coated
- More scratch-resistant than non-textured coatings
- Easy to clean
- Thickness 12 mm
- Layer thickness 100 microns
- Density: $7.50 \cdot 10^3 \text{kg/m}^3$
- Outdoors and indoors
- Very good UV fastness
- Flame retarding (NEN-EN13501-1 A1)

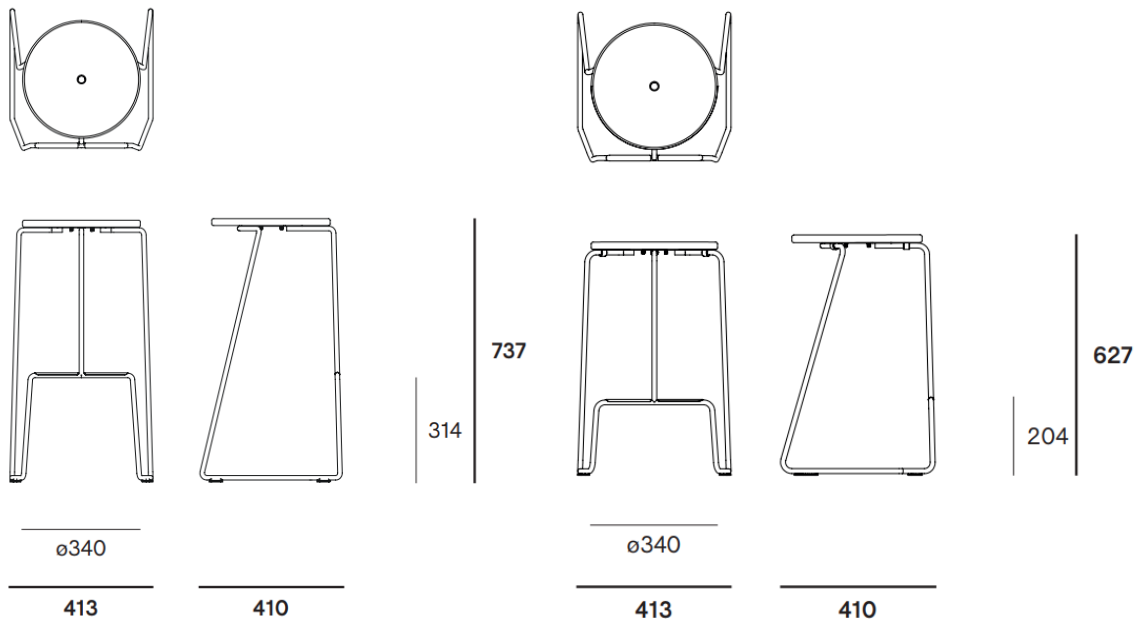
Structured powder coated steel (backrest):

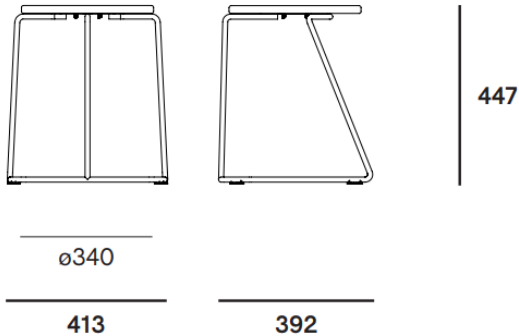
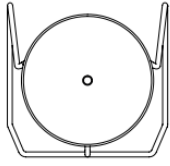
- Easy to clean
- Cold galvanized, then powder coated
- More scratch-resistant than non-textured coatings
- Easy to clean
- Thickness 12 mm
- Layer thickness 100 microns
- Density: $7.50 \cdot 10^3 \text{kg/m}^3$
- Outdoors and indoors
- Very good UV fastness
- Flame retarding (NEN-EN13501-1 A1)

Sunbrella (cushions):

- 100% Sunbrella Acrylic (dyed in the mass)
- Best outdoor material for the manufacture of cushions
- Dirt-repellent
- Not waterproof, to be stored indoors
- Machine washable up to a max. 30°C, not in the dryer, may be cleaned with bleach
- Thickness: 0.50 mm
- Density: 260 g/m²
- Outdoors and indoors
- The material has a water column of 350 mm (EN 20811)
- Very good UV-fastness (7/8 (ISO105-B02))

Dimensions





Weight and transport volume

- Tiki bar stool: 6,90 kg and 0,21 m³
- Tiki counter stool: 6,25 kg and 0,18 m³
- Tiki stool: 5,60 kg and 0,16 m³

View more details on the technical factsheet at <https://www.extremis.com/en/product-downloads/tiki-bar-stool>

Standards

- NEN-EN13501-1 A
- ISO 105-B02 (Sunbrella)

Certificates

- GS from TÜV
- BIFMA from TÜV

Guarantee

The entire Extremis collection has a 2-year guarantee, based on the provisions in our general guarantee terms & conditions.

Maintenance

Seat/legs:

Regular cleaning with lukewarm water and mild cleaning product. Use a soft brush to remove any caked-on dirt.

More info: <https://www.extremis.com/maintenance>

Applications

- Indoor
- Outdoor
- Residential
- Businesses
- Hospitality
- Educational institutions
- Healthcare
- Public spaces

Assembly

For more info please see manual: <https://www.extremis.com/en/product-downloads/tiki-bar-stool>