



Pantagruel picnic



Design

© Dirk Wynants, 2013, Belgium

Furniture awards

- Red Dot Design Award, 2013

Extremis awards

- Design Management Europe Award, 2007
- Unizo KMO Laureaat, 2008
- Green Good Design Award, 2013
- De Leeuw van de Export Award, 2003
- Hermes Creative Award, 2002
- Henry Van De Velde Award, 2001
- Sustainable Enterprise, POM Vlaanderen, 2016

Text

Pantagruel picnic is a refined circular picnic table which can accommodate 8 people. The frame has a powder coated or hot dip galvanized finish and, combined with the wood of the table top and the benches, forms a durable outdoor picnic combination. The Pantagruel is also fitted with a rotating table in the centre, so that you can pass food and drink around easily. Thanks to its robust nature and the sustainable materials, the Pantagruel picnic is perfect for intensive use in public spaces. The Pantagruel picnic can be combined with the Inumbra or Inumbrina parasols. When combined with the Inumbra parasol the table holds the parasol so there is no parasol pole underneath the table.

- Consists of one element with 4 benches with a wooden seating surface
- Steel legs that attach the table top to the bench
- Robust, durable materials (suitable for intensive use in public spaces and in a maritime climate)
- The table top has a central, rotating disc ('Lazy Susan'), manufactured from HPL (black or white)
- Suitable for up to 8 persons

- Dimensions: Total diameter: 22750 cm, diameter table top 146 cm, height: 74.70 cm, space between the benches: 22.6 cm
- Weight 155 kg
- Table top and benches made from sustainability category 1 'Iroko' tropical hardwood or thermally treated 'Hellwood' ash with PEFC label.
- Table top and benches are fully supported by a galvanized steel frame.
- Legs made from hot dip galvanized steel or coated stainless steel (black, Verdigris, Earth and white as standard, custom colour possible on request)
- Low maintenance
- Suitable for indoors and outdoors
- Optional parasol (Inumbra / Inumbria), when combined with the Inumbra, there is no parasol pole beneath the table
- Optional ground fastening
- Optional back support
- Optional (for indoor use) felt protective sheets for under the legs

More info: www.extremis.com/en/collections/pantagruel/pantagruel-picnic

Construction

Table top:

Solid tropical hardwood Iroko or Hellwood (PEFC label) 20 mm in thickness, Hellwood is Ash that is thermally treated.

The wooden segments are sawn radially in relation to the centre of the table. They are manufactured from small wooden slats (optimisation of material use, less waste, smaller transport volumes).

They are not used suspended, they are supported by the metal frame.

4 Legs with 4 benches:

Hot dip galvanized steel or powder coated, max. 3 persons or 240 kg per bench Powder coated standard colours: black (RAL9005), earth (RGB 88 88 84), verdigris (RGB 133 147 142), white (RAL9016). Custom colour available on request (RAL colours only).

Optional parasol: Inumbra or Inumbria (connection piece required)

Optional back support: hot dip galvanized steel or powder coated steel

Optional cushions: Sunbrella White Natté or Sunbrella Dark Taupe (custom color possible on request)

Optional set of 4 floor fastenings: hot dip galvanized steel

Optional set of 4 felt protective covers for indoor use: anthracite felt

Materials info

Iroko:

- Tropical hardwood, sustainability category 1
- FSC certificate available
- Chain of Custody
- Thickness of benches and table top: 20 mm
- Density of table top and benches: 600 to 700 kg/m³
- Suitable for indoors and outdoors
- The wood is untreated on delivery; untreated wood turns grey in colour over time
- Natural product with a warm appearance
- Very quick drying time after a rain shower
- Feels comfortable in all weather conditions

- If the wood is stained or scratched, this can be removed by lightly polishing the wood. It's advised to oil annually for easier maintenance and to counteract the greying effect.

Hellwood:

- Hellwood is a European ash that is thermally treated, sustainability category 1
- PEFC label for sustainable forest management
- Thickness of benches and table top: 20 mm
- Density of table top and benches: 600 kg/m³
- Suitable for indoors and outdoors
- The wood is untreated on delivery; untreated wood turns grey in colour over time
- Natural product with a warm appearance
- Very quick drying time after a rain shower
- Feels comfortable in all weather conditions
- If the wood is stained or scratched, this can be removed by lightly polishing the wood. Can be oiled annually for easier maintenance and to counteract the greying effect.

Hot dip galvanized steel legs, frame and backrests:

- Hot dip galvanizing provides a protective layer
- Very long life
- Low maintenance
- 100% recyclable
- Cradle to Cradle Certified
- Thickness of table top and bench: 2-6 mm,
- Thickness of legs and back support: 8 mm
- Layer thickness 50-100 microns
- Density: 7.5 10³kg/m³
- Outdoors and indoors
- Very good UV-resistance, hot dip galvanized steel will be less shiny over time
- Flame retarding (NEN-eN13501-1 A1)
- Galva Power C2C certificate

Structured powder coated electro galvanized steel frame, bench supports & backrest:

- Low maintenance
- Electrolytically galvanized steel for protection against rust and then powder coated with textured coating
- More scratch-resistant than non-textured coatings
- Wall thickness of steel: 4- 6 mm
- Powder coating layer thickness: 50-100 microns
- Density: 7.5 10³kg/m³
- Outdoors and indoors
- Very good UV color fastness, color can fade to some extent when exposed to UV
- Flame retarding (NEN-eN13501-1 A1)

Structured powder coated stainless steel legs:

- Low maintenance
- Stainless steel for protection against rust and then powder coated with textured coating
- More scratch-resistant than non-textured coatings
- Wall thickness of steel: 2 mm
- Powder coating layer thickness: 50-100 microns
- Outdoors and indoors

- Very good UV fastness
- Flame retarding (NEN-eN13501-1 A1)

High pressure Laminate (HPL) 'Lazy Susan':

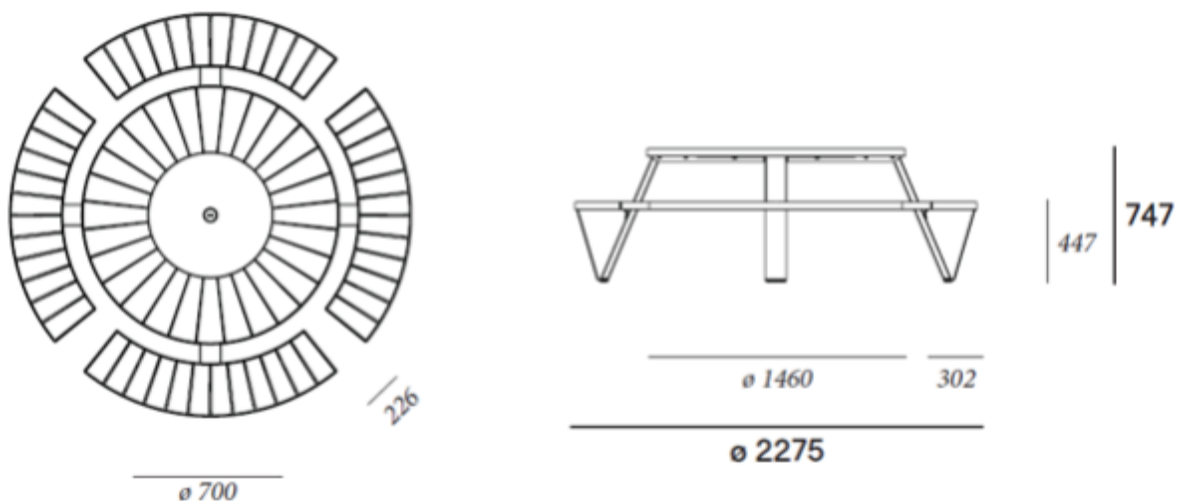
- Produced under high pressure
- Reinforced with wood fibres
- High impact toughness
- Easy to clean
- Thickness: 13 mm
- Density: $1.40 \cdot 10^3 \text{kg/m}^3$
- Outdoors and indoors
- Very good UV-fastness (> 6(EN483-2: 27) and (ASTM G53-91))

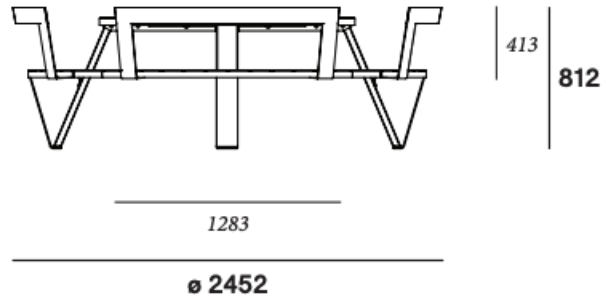
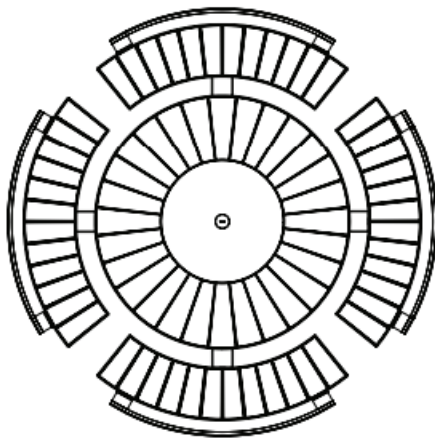
All fixing materials are manufactured from stainless steel and are equipped with various security systems, both chemical (loctite, precoat) and mechanical (open retaining rings, corrugated O-rings).

Sunbrella cushions (benches):

- 100% Sunbrella Acrylic (dyed in the mass)
- Best outdoor material for the manufacture of cushions
- Dirt-repellent
- Not waterproof, to be stored indoors
- Machine washable up to a max. 30°C, not in the dryer, may be cleaned with bleach
- Thickness: 0.50 mm
- Density: 260 g/m²
- Outdoors and indoors
- The material has a water column of 350 mm (EN 20811)
- Very good UV-fastness (7/8 (ISO105-B02))

Dimensions





Weight and transport volume

- Weight: 155 kg
- Hot dip galvanized backrest: 20 kg, powder coated: 21.40 kg
- Cushions: 4.80 kg
- Floor fastening 0.96 kg
- Transport volume: 0.41 m³

View more details on the technical factsheet at www.extremis.com/en/product-downloads/pantagruel-picnic

Standards

- NEN-EN13501-1 A (Inox and galvanized steel, flame retarding)
- ISO 105-B02 (Sunbrella) (UV resistance)
- EN 20811 (Sunbrella)

Certificates

- PEFC
- FSC
- Cradle to Cradle

Guarantee

The entire Extremis collection has a 2-year guarantee, based on the provisions in our general guarantee terms & conditions.

Maintenance

Wood

- Little maintenance required, but the better it is treated, the longer it will last.
- Regularly/after use: wet cloth.
- To remove stubborn dirt residues, use a hard brush and water.
- Once to twice per year: clean thoroughly. We recommend that this is done in the spring and just before winter.
- Oil before the first use and once per year. An oiled table will absorb liquids less quickly and therefore remains clean for longer.

- Every 2 to 4 years: polish with a sander. After a few years, the wood will display cracks and can become slightly misshapen. This is perfectly normal as wood is a natural and living material. The great advantage of solid wood is that you can sand down the top surface to make the surface even and smooth once more. Use a hand sander for this (do it on a dry day). Use 80-grain sandpaper for this.
- Any cracks can be hand sanded. Use 80-grain sandpaper for this. Be careful not to permanently damage the fibres. It is for this reason that a high-pressure washer should never be used to clean wood.

Frame/legs:

Regular cleaning with lukewarm water and mild cleaning product. Use a soft brush to remove any caked-on dirt.

More info: www.extremis.com/maintenance

Applications

- Indoor
- Outdoor
- Residential
- Corporate
- Hospitality
- Educational institutions
- Healthcare
- Public spaces

Assembly

For more info please view manual: www.extremis.com/en/product-downloads/pantagruel-picnic

Environmental management

View Extremis sustainability report