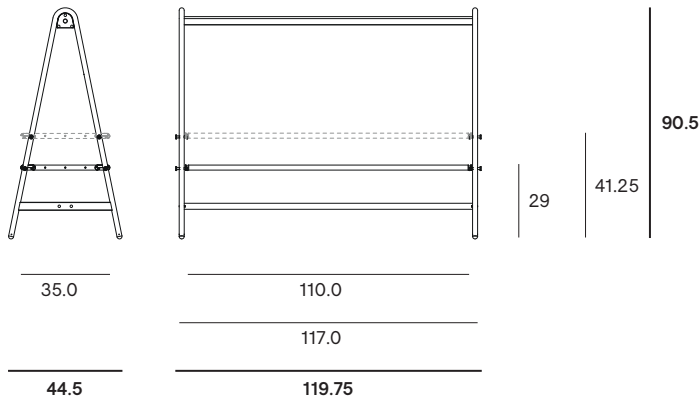


Dimensions

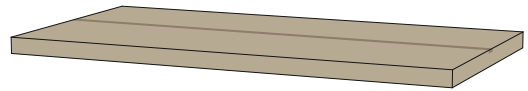
The AMAi base module is available in one dimension



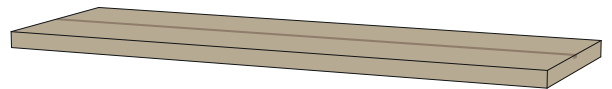
Box dimensions

The AMAi comes in 6 boxes

Box 1: A-frame (2x)



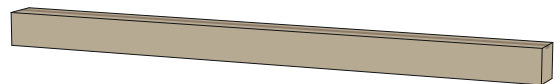
Box 2: Tabletop



Box 3: Footrest



Box 4: Top profile/tube



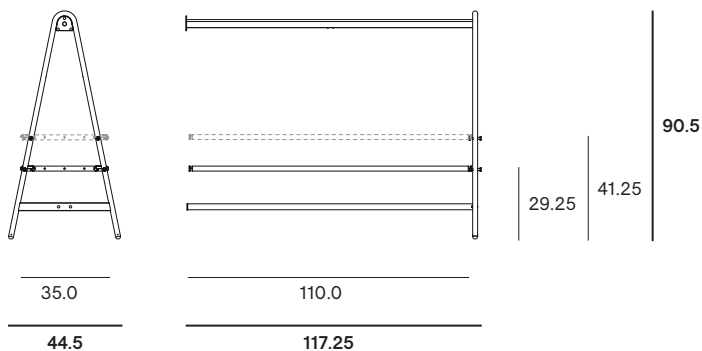
Box 5: Endcaps



Box dimensions (inch)		L	W	H	Qty	Volume (ft ³)	Gross weight (lb)	Net weight (lb)	Packaging weight (lb)
Powder coated version	Box 1	92.50	47.25	3.25	2	16.60	82.01	70.99	11.02
(with powder coated tabletop)	Box 2	114.25	37.0	3.25	1	8.12	119.71	115.30	4.41
	Box 3	114.25	7.50	2.75	1	1.41	23.59	20.94	2.65
	Box 4	114.75	7.0	6.0	1	3.18	41.67	37.26	4.41
	Box 5	7.75	6.0	3.5	1	0.35	1.32	1.10	0.22
	Total:					29.66	268.30	245.59	22.71
Galvanized version	Box 1	92.5	47.25	3.25	2	16.60	82.01	70.99	11.02
(with powder coated tabletop)	Box 2	114.25	37.0	3.25	1	8.12	119.71	115.30	4.41
	Box 3	114.25	7.50	2.75	1	1.41	23.59	20.94	2.65
	Box 4	114.75	7.0	6.0	1	3.18	26.24	21.82	4.41
	Box 5	7.75	6.0	3.5	1	0.35	1.32	1.10	0.22
	Total:					29.66	252.87	230.15	22.71

Extension module

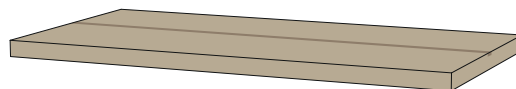
The AMAi extension module is available in one dimension



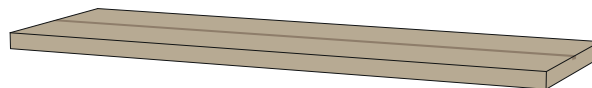
Box dimensions

The extension module comes in 5 boxes

Box 1: A-frame (1x)



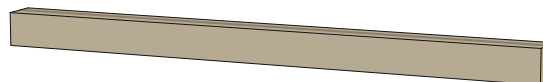
Box 2: Tabletop



Box 3: Footrest



Box 4: Top profile/tube



Box 6: Mounting kit extension



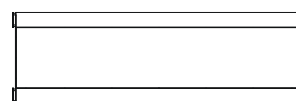
Box dimensions (mm)		L	W	H	Qty	Volume (m ³)	Gross weight (kg)	Net weight (kg)	Packaging weight (kg)
Powder coated version	Box 1	92.5	47.25	3.25	1	8.48	41.01	35.49	5.51
(with powder coated tabletop)	Box 2	114.25	37.0	3.25	1	8.12	119.71	115.30	4.41
	Box 3	114.25	7.5	2.75	1	1.41	23.59	20.94	2.65
	Box 4	114.75	7.0	6.0	1	3.18	41.67	37.26	4.41
	Box 6	7.75	6.0	3.5	1	0.35	1.32	1.10	0.22
	Total:					21.54	227.30	210.09	17.20
Galvanized version	Box 1	92.5	47.25	3.25	1	8.48	41.01	35.49	5.51
(with powder coated tabletop)	Box 2	114.25	37.0	3.25	1	8.12	119.71	115.30	4.41
	Box 3	114.25	7.5	2.75	1	1.41	23.59	20.94	2.65
	Box 4	114.75	7.0	6.0	1	3.18	26.24	21.82	4.41
	Box 6	7.75	6.0	3.5	1	0.35	1.32	1.10	0.22
	Total:					21.54	211.87	194.65	17.20

Tabletop options

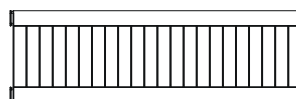
The tabletop is available in one dimension

There are multiple material options for the tabletop centerplate

Tabletop centerplates	Gross weight (lb)	Net weight (lb)	Packaging weight (lb)
Powder coated	119.75	115.25	4.5
Hellwood	317.5	313.0	4.5



— Powder coated



— Hellwood

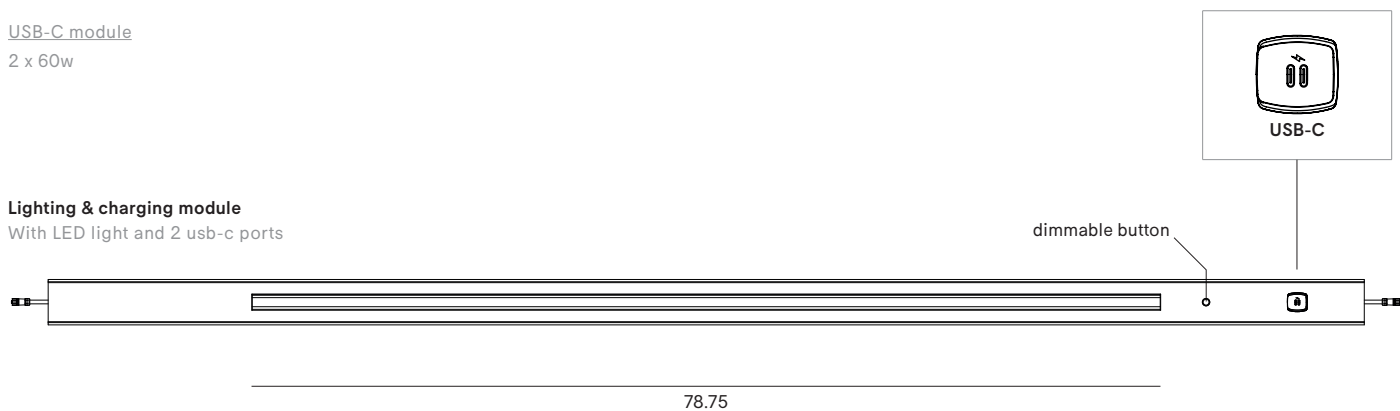
Lighting & charging module

The lighting & charging module is available in one dimension
The lighting & charging module is already installed in the top profile of AMAi

200 cm dimmable **LED light** in the center of the profile (black RAL9005 powder coated)
Color temperature of 3000K (warm white)
100-300 VAC / 50-60 Hz

USB-C module
2 x 60w

Lighting & charging module
With LED light and 2 usb-c ports



Power supply

The power supply is available in one dimension
One cable can power 2 AMAi modules.
In countries where this type of plug is not used, a different plug will need to be fitted

Connection cable Female
Rubber cable flexibel - H07RN-F
Length 5 m

24 V — IP68



Box dimensions

The lighting & charging module is packed inside the top profile

Box dimensions

The power supply comes in 1 box

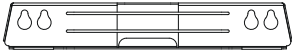
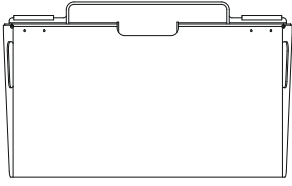
Box 7: connection cable



Box dimensions (inch)		L	W	H	Qty	Volume (ft ³)	Gross weight (lb)	Net weight (lb)	Packaging weight (lb)
Connection cable	Box 7	7.75	5.5	5.5	1	0.35	4.85	4.41	0.44

Add-on table

The add-on table is available in one dimension

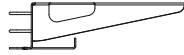


7.5

20.25

35.0

36.75



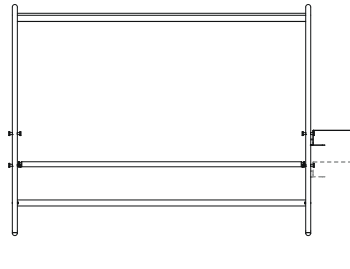
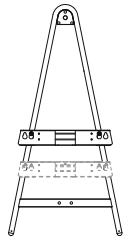
6.0

15.75

2.5

7.5

18.5



135.0

29.25

41.25

Box dimensions

The add-on table comes in 1 box

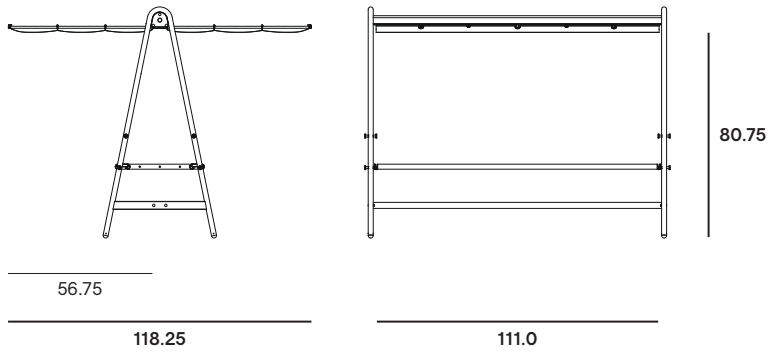
Box 9: Add-on table



Box dimensions (inch)		L	W	H	Qty	Volume (ft ³)	Gross weight (lb)	Net weight (lb)	Packaging weight (lb)
Add-on table	Box 9	37.0	18.75	6.0	1	2.47	29.76	28.22	1.54

Shade

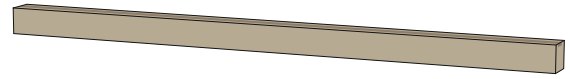
The shade is available in one dimension



Box dimensions

The shade comes in 1 box

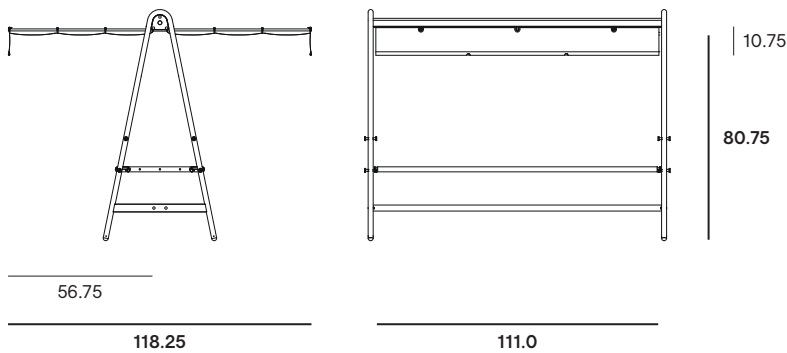
Box 10: Fabric + supports



Box dimensions (inch)		L	W	H	Qty	Volume (ft ³)	Gross weight (lb)	Net weight (lb)	Packaging weight (lb)
Shade (1 set)	Box 10	118.7	5.75	5.5	1	2.12	26.46	22.05	4.41

Market shade

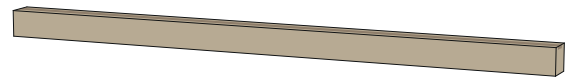
The market shade is available in one dimension



Box dimensions

The market shade comes in 1 box

Box 11: Fabric + supports

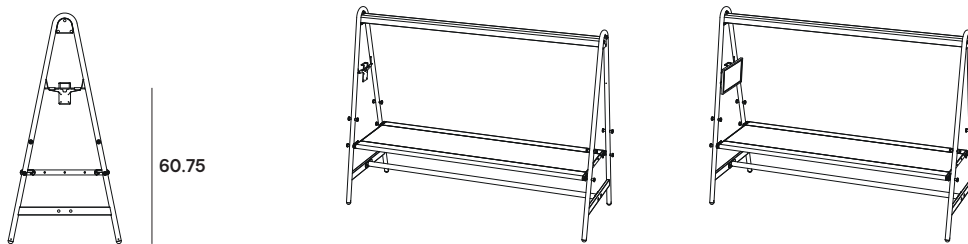
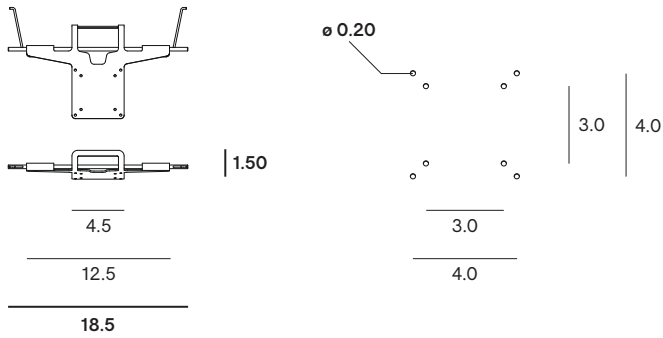


Box dimensions (inch)		L	W	H	Qty	Volume (ft ³)	Gross weight (lb)	Net weight (lb)	Packaging weight (lb)
Market shade (1 set)	Box 11	118.75	5.75	5.5	1	2.12	28.66	24.25	4.41

Monitor holder

The monitor holder is available in one dimension

Vesa connection for computer monitor, not for a television



Box dimensions

The monitor holder comes in 1 box

Box 12: screenholder

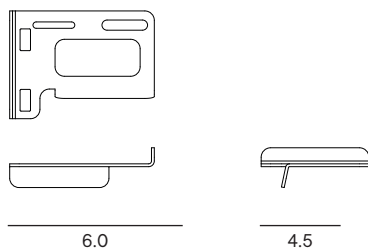


Box dimensions (inch)		L	W	H	Qty	Volume (ft ³)	Gross weight (lb)	Net weight (lb)	Packaging weight (lb)
Monitor holder	Box 12	15.75	11.75	4.0	1	0.35	3.31	2.87	0.44

Tabletop fixation

The tabletop fixation is available in one dimension

Can be used in both the standard & high position



Box dimensions

The tabletop fixation comes in 1 box

Box 13: tabletop fixation



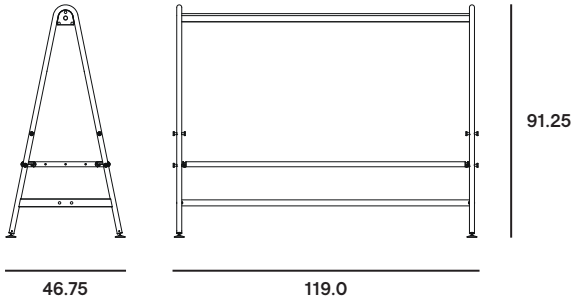
Box dimensions (inch)		L	W	H	Qty	Volume (ft ³)	Gross weight (lb)	Net weight (lb)	Packaging weight (lb)
Tabletop fixation (1 set)	Box 13	7.75	5.5	5.5	1	0.35	2.42	2.20	0.22

Leveling feet

The leveling feet is available in one dimension



ø4.0



Box dimensions

The leveling feet comes in 1 box

Box 14: leveling feet

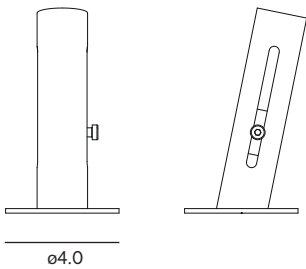
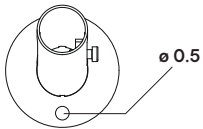


Box dimensions (inch)		L	W	H	Qty	Volume (ft ³)	Gross weight (lb)	Net weight (lb)	Packaging weight (lb)
Leveling feet (1 set)	Box 14	7.75	6.0	3.5	1	0.35	1.32	1.10	0.22

Floor fastening

The floor fastening is available in one dimension

The height of the floor fastening can also be adjusted.

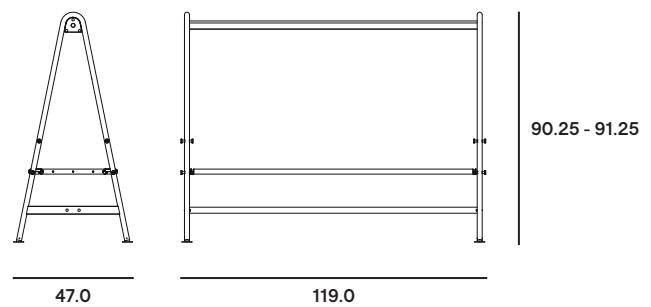


ø4.0

Box dimensions

The floor fastening comes in 1 box

Box 15: floor fastening

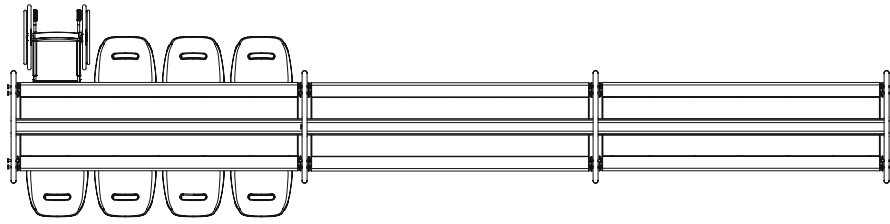


Box dimensions (inch)		L	W	H	Qty	Volume (ft ³)	Gross weight (lb)	Net weight (lb)	Packaging weight (lb)
Floor fastening (1 set)	Box 15	7.75	6.0	3.5	1	0.35	1.54	1.32	0.22

Wheelchair accessibility dimensions

As specifications for wheelchair accessibility vary around the world, please review the dimensions below to ensure the measurements of each solution meet the specifications of your local requirements

Only possible when the tabletop is at standard position, accessible on both side



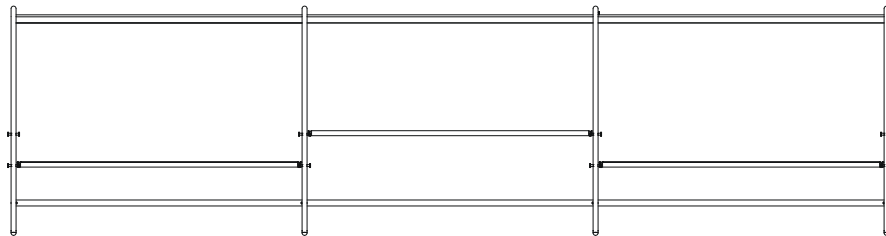
Accessible on both sides when tabletop is at standard position



Not possible when the tabletop is put in the highest position



Not possible on the ends



113.0



27.0

17.5

A-frame & top profile/tube



Black (RAL9005)
Structured powder coating



Beach beige (RAL1019)
Structured powder coating



Off white (RAL9002)
Structured powder coating



Copper brown (RAL8004)
Structured powder coating



Galvanized steel

Tabletop centerplate



Black (RAL9005)
Structured powder coating



Beach beige (RAL1019)
Structured powder coating



Off white (RAL9002)
Structured powder coating



Copper brown (RAL8004)
Structured powder coating



Hellwood

Tabletop side profiles



Black (RAL9005)
Structured powder coating



Beach beige (RAL1019)
Structured powder coating



Off white (RAL9002)
Structured powder coating



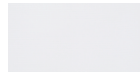
Copper brown (RAL8004)
Structured powder coating

Footrest & shade balleens




Galvanized steel

Shade fabric



White
High-tech polyester



Materials	Key facts	Thickness	Layer thickness	Density	In/outdoor	Water	UV color fastness	Flame retarding
		inch	micron					
Structured powder coated stainless steel A-frame	<ul style="list-style-type: none"> • Easy to clean • Stainless steel (for protection against rust), then powder coated • More scratch-resistant than non structured powder coating 	0.07	50 - 100	0.49 10 ³ lb/ft ³	Outdoor & indoor	n.a.	Very good: color can fade to some extent when exposed to UV	NEN-EN13501-1 A1 *
Hot dip galvanized steel A-frame, top tube, footrest & shade balleens	<ul style="list-style-type: none"> • Most durable method for protecting metal from rusting • Protective layer • Very long life span • 100% recyclable • Cradle to Cradle Certified™ 	0.07	50 - 100	0.47 10 ³ lb/ft ³	Outdoor & indoor	n.a.	Very good. galvanization will however become less shiny when used outdoors	NEN-EN13501-1 A1 *
Structured powder coated aluminium tabletop side profiles & top profile	<ul style="list-style-type: none"> • A technique of applying dry paint to a part • Electrostatically charged and sprayed onto the object • More scratch-resistant than non structured powder coating 	0.07-0.39	50 - 100	0.47 10 ³ lb/ft ³	Outdoor & indoor	n.a.	Very good: color can fade to some extent when exposed to UV	NEN-EN13501-1 A2-s1 **
Structured powder coated ZnAlMg steel tabletop centerplate	<ul style="list-style-type: none"> • A technique of applying dry paint to a part • Electrostatically charged and sprayed onto the object • More scratch-resistant than non structured powder coated 	0.07	60	0.47 10 ³ lb/ft ³	Outdoor & indoor	n.a.	Very good: color can fade to some extent when exposed to UV	NEN-EN13501-1 A2-s1 **
Hellwood tabletop centerplate	 <ul style="list-style-type: none"> • Durability CLASS 1 • Carries the PEFC™ label for durable forestry • Feels comfortable in all weather conditions • Advisable to oil the wood 	0.94	n.a.	+ / - 37 lb/ft ³	Outdoor & indoor	n.a.	Untreated wood turns grey after a while	/
High-tech polyester fabric	<ul style="list-style-type: none"> • High UV resistance and ultra strong • Low weight / high tear strength • Long-term appearance 	0.37	n.a.	8.50 oz/ft ³	Outdoor & indoor	Water column of 350 mm (EN 20811)	7/8 (ISO 105-B02)	/
LED light	<ul style="list-style-type: none"> • Color temperature of 3000K • Power usb-c: 2x60w • Lumen +/- 10%: 1045lm/m • 100-300 VAC / 50-60 Hz 	n.a.	n.a.	n.a.	Outdoor & indoor		/	/

NEN-EN13501-1 A1 Class A1 products will not contribute to fire in any stage, including fully developed fire. For this reason, they are assumed to be capable of satisfying all requirements of all lower classes as well.
 NEN-EN13501-1 A2-s1 Satisfying the same criteria as class B for the SBI-test according to EN 13823. In addition, under conditions of a fully developed fire these products will significantly contribute to the fire load a fire growthwell.

Good to know

- PEFC™ certified wood (Hellwood) originates from sustainably managed forests.
- There are two types of base- and extension modules, without or with lighting and charging module.
- Patented

Floor fastening

AMAI comes with an optional floor anchoring set: four steel plates to be fixed with bolts.

F.A.Q.

Q: *Do you need to oil the wood?*

A: Just like other types of wood, wood will gradually become rougher and start to turn grey as a consequence of exposure to the sun and rain. Small cracks and crevices can also appear as part of this process. We strongly advise everyone to treat the furniture with our Wood Protector. This 100% natural oil controls the moisture level within the wood, which makes the planks stay stable for longer, and the layer of oil also helps to prevent spilled liquids from being absorbed, so that stains tend to stay superficial. It is best to repeat this treatment at regular intervals.

Q: *How wind resistant is the shade?*

A: Tests in a windtunnel have shown that the shade withstands wind speeds up to 31 mph. Still, we strongly advise to close it sooner (from 18 mph is the rule of thumb).

Maintenance

Find maintenance instructions at the [product care section](#) on [extremis.com](#) for

POWDER COATED PARTS

- Use Extremis multi cleaner, a 100% biodegradable detergent or common kitchen cleaning products. Avoid using aggressive products. These surfaces are best cleaned with a neutral cleaning product diluted in water.

GALVANIZED PARTS

- Clean with lukewarm water and a mild detergent or Extremis multi cleaner.

SHADE FABRIC

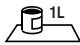
- Shake or brush off loose dirt immediately.
- Spray Extremis Multi Cleaner.
- Use a soft brush and make circular movements.
- Let the suds soak in for a moment.
- Rinse thoroughly to remove all soap residue.
- Simply allow to dry.

WOOD

- Clean regularly with mild detergent.
- Thorough cleaning with Extremis Wood Cleaner.
- Oil the wood with Extremis Wood Protector. We recommend oiling the wood at regular intervals depending from location and general weather conditions.
- In order to smoothen the surface again after a thorough cleaning, lightly sand your wood with 120 grit sanding paper or a sanding pad.

RECOMMENDED USE

- For Extremis Wood protector:

 1L	 0.5L	
2 to 3 wood care treatments	1 to 2 wood care treatments	300 - 400 ml for one wooden center plate

Warnings

General

- Do not use any sharp tools to open the packaging.
- We strongly advise against using power tools.
- Tripping hazard, mind your step.
- Do not put out cigarettes on the table.
- Not graffiti proof.
- Do not leave children unattended whilst playing on the table.
- To avoid danger of suffocation, keep plastic bags away from babies and children.
- Colors can differ over years and from batch to batch.

Product

- Do not stand or jump on the table.
- Do not drag the table, but carry it with minimum 2 people.
- Anchoring the product has to be done by qualified people.
- For anchoring: use suitable bolts or screws from a specialized store depending on the material your terrace is made of.
- Tests in a windtunnel have shown that the shade withstands wind speeds up to 31 mph. Still, we strongly advise to close it sooner (from 18 mph is the rule of thumb).

Powder coating

- White powder coating requires more maintenance.
- Do not use abrasive scouring powders or scourers as they will scratch the surface.
- Color can fade to some extent when exposed to UV.
- Flame retarding - NEN-EN13501-1 A2-s1 - Satisfying the same criteria as Class B for the SBI-test according to EN13823. In addition, under conditions of a fully developed fire these products will not significantly contribute to the fire load and fire growth.
- Dark colors can get very hot in sunny weather.

Galvanized steel

- Galvanization will become less shiny when used outdoors.
- Flame retarding - NEN-EN13501-1 A1 - Class A1 products will not contribute to fire in any stage, including fully developed fire. For this reason, they are assumed to be capable of satisfying all requirements of all lower classes as well.
- Possible impurities in the immersion tank can cause black marks during galvanization, which are intrinsic to this industrial finishing technique.
- White marks on this zinc layer are also intrinsic to this procedure and will disappear when the furniture is put outdoors.
- This industrial finishing technique may result in a rougher surface. This is intrinsic to the process.

Wood

- When delivered, the wood is untreated.
- Wood is a natural material and its look is different for every slat, plank and tree.
- Wood will gradually become rougher and start to turn grey as a consequence of exposure to the sun and rain. We recommend oiling the wood at regular intervals depending from location and general weather conditions.
- Clean regularly with mild detergent. Never use a high pressure cleaner as this will roughen the wood's smooth surface and irreparably damage the wood's fiber.
- Thorough cleaning with Extremis Wood Cleaner.
- We strongly recommend that you treat your wood with wood protector to protect it from stains - small cracks and crevices can also appear as part of this process. We strongly advise everyone to treat the furniture with our Wood Protector.

High-tech polyester

- Shake or brush off loose dirt immediately.
- Do not use any aggressive detergents as they will remove the protective coating of the fabric.
- We strongly advise you not to use a high-pressure hose for cleaning.

The content of this document, in particular the mentioned models, is protected by copyrights and/or design rights. The present document and its content is communicated to you for information purposes only. Any partial or total reproduction or any other use without our prior written permission is strictly prohibited. This technical sheet remains subject to possible changes. All dimensions are in inch, unless mentioned otherwise. Extremis is not responsible for the errors in the documentation of products. All measurements are approximate and are provided for informational purposes only.

Tech sheet
20250203