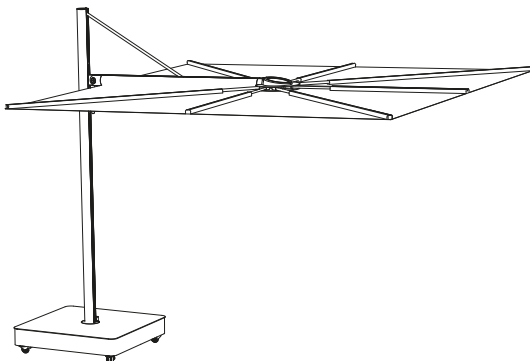
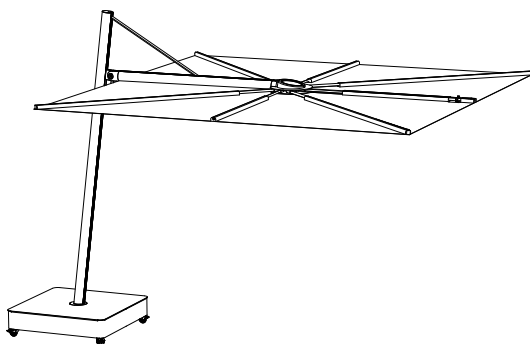


Sensu single square

Straight

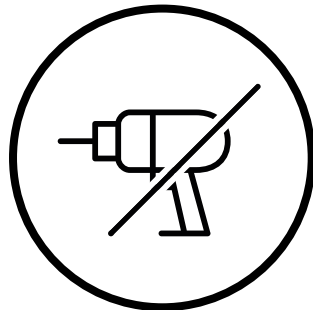


Single square tilted



extremis®

**IMPORTANT! RETAIN FOR FUTURE
REFERENCE: PLEASE READ ALL SAFETY
NOTES AND INSTRUCTIONS. FAILURE
TO COMPLY WITH THESE MAY RESULT
IN SEVERE INJURIES.**



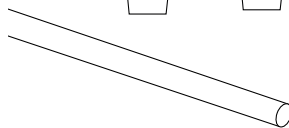
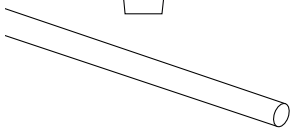
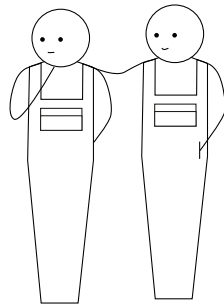
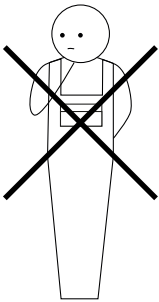
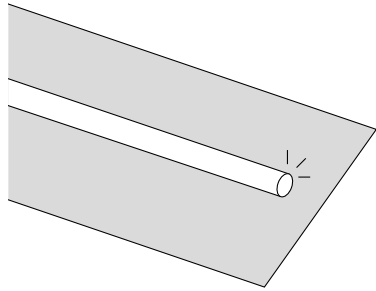
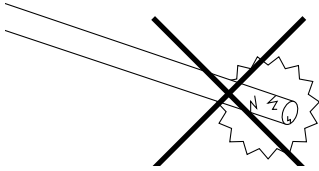


Table of contents ^{1/2}

Mounting kit [↗]

Assembly wheel / feet base [↗]

Moving up / down [↗]

Open / Close / Tilt [↗]

This is an interactive PDF

You can easily navigate through this manual, allowing you to smoothly jump from one page to the other.

Table of contents ^{2/2}

Rotate 360° ↗

Assembly permanent fixation ↗

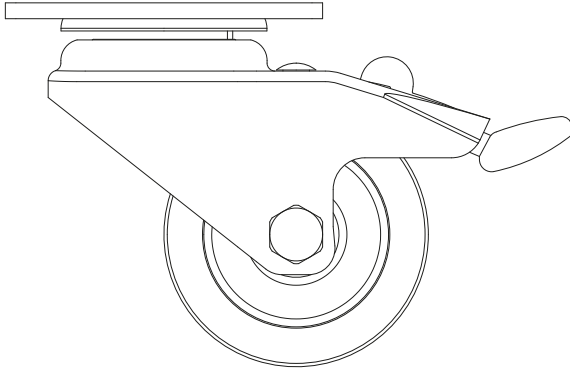
Assembly floor fastening ↗

**Warnings - Text instructions -
Maintenance ↗**

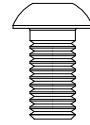
This is an interactive PDF

You can easily navigate through this manual, allowing you to smoothly jump from one page to the other.

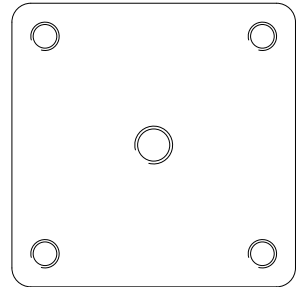
Mounting kit



4 x wheel

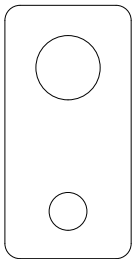


16 x M6x12

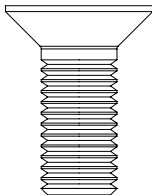


4 x plate

Mounting kit to fix the wheels to the base

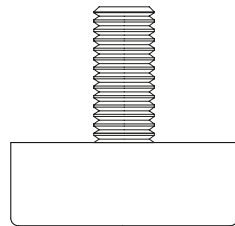


4 x plate



4 x M10x25

Mounting kit to fix the
rotating system



4 x feet

Mounting kit to fix the
feet to the base



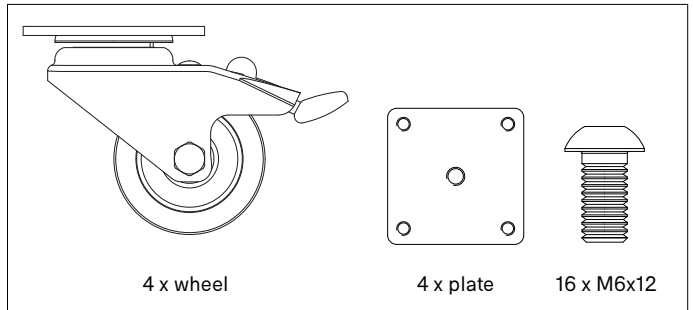
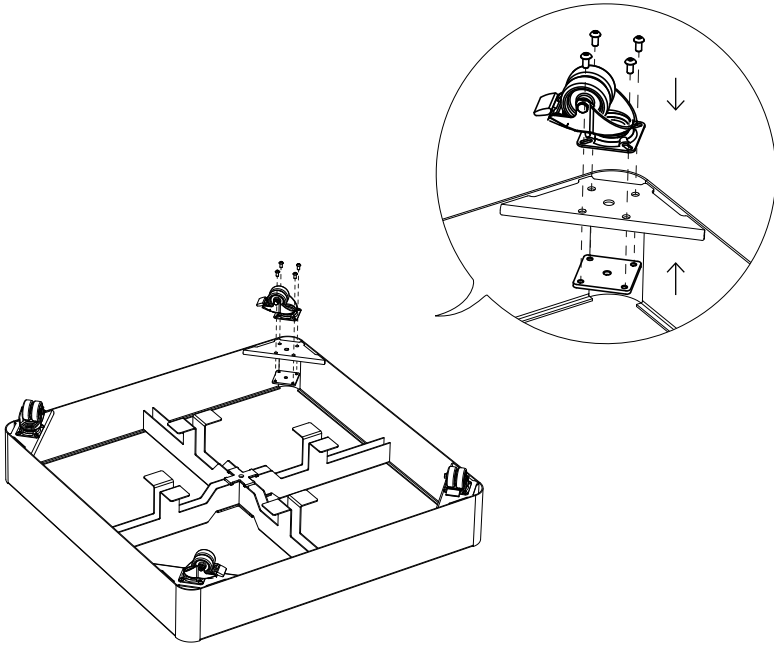
Wheel / feet base

1a. with wheels

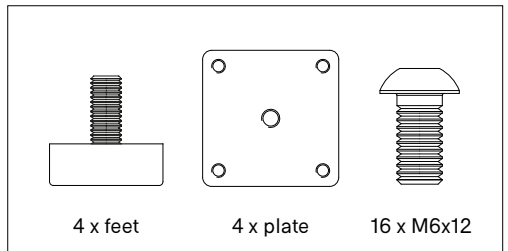
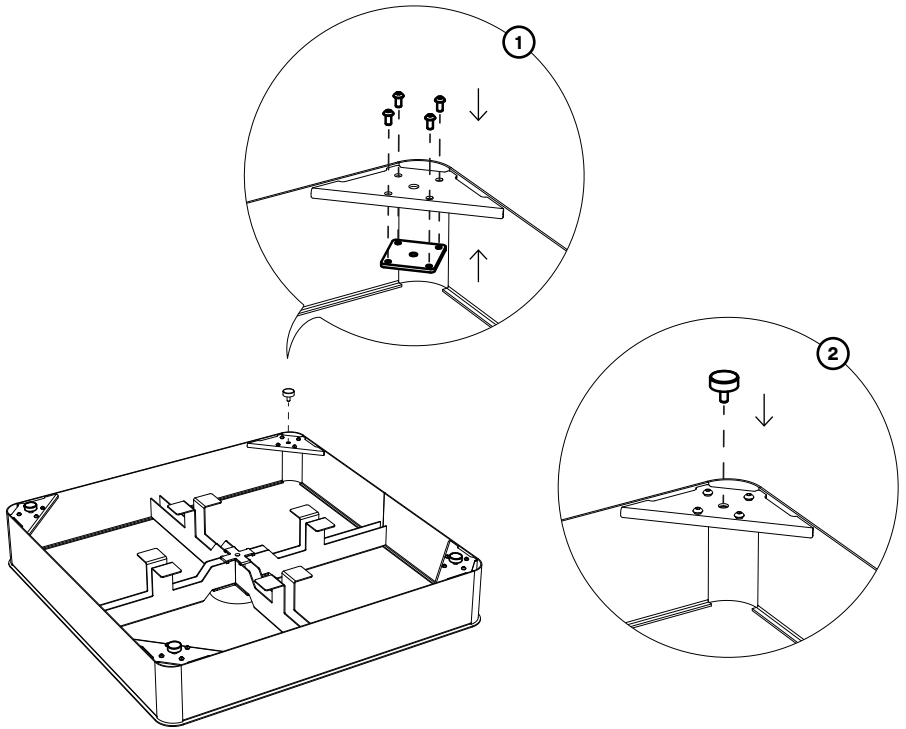
N° 4 - 6



15'



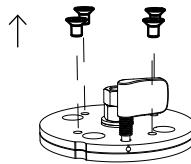
1b. with feet



2.

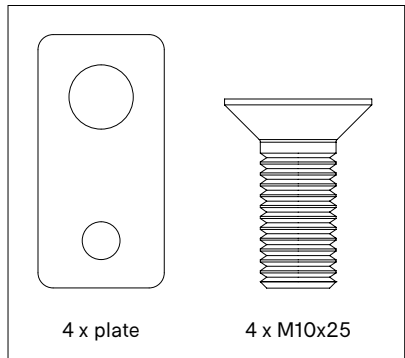
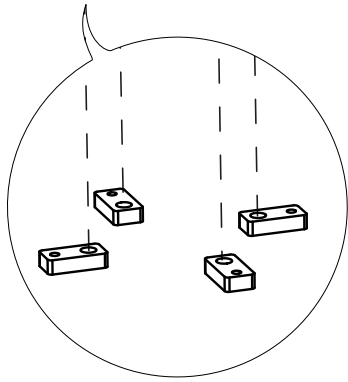
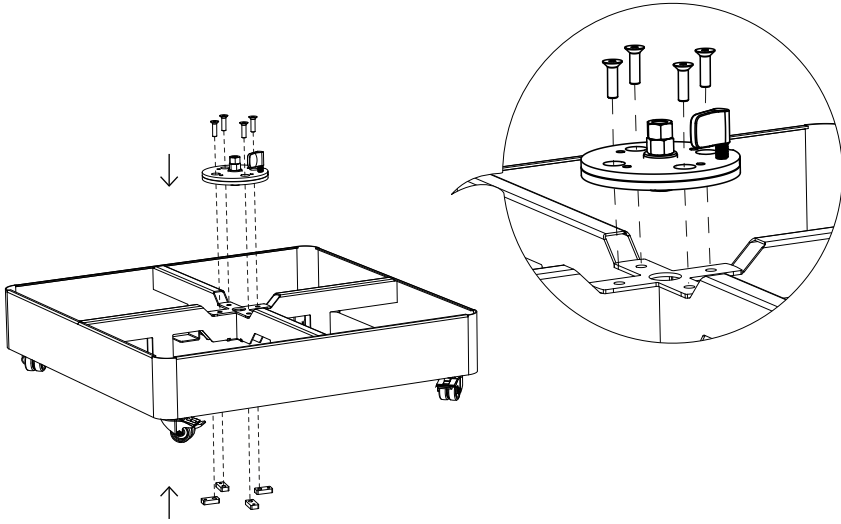
Turn the base on its wheels

3.

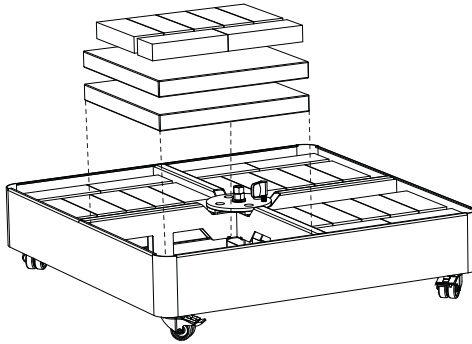


Remove the four bolts from the rotating system, but do not throw these away!

4.

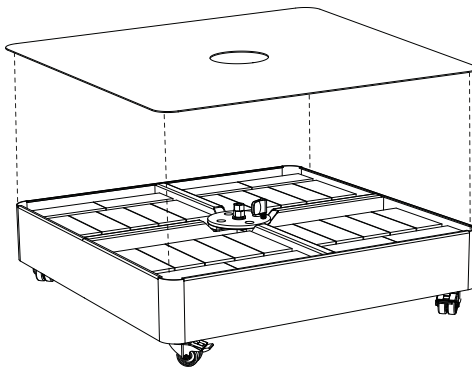


5.

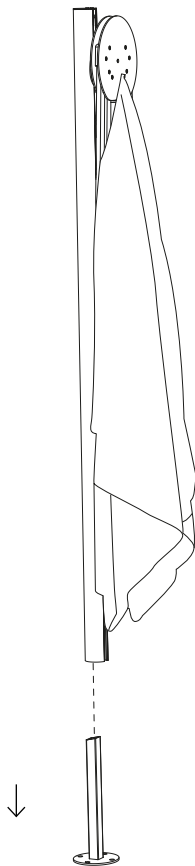


**Do not use the wheel base without any weight!
Add at least 153 kg!**

6.

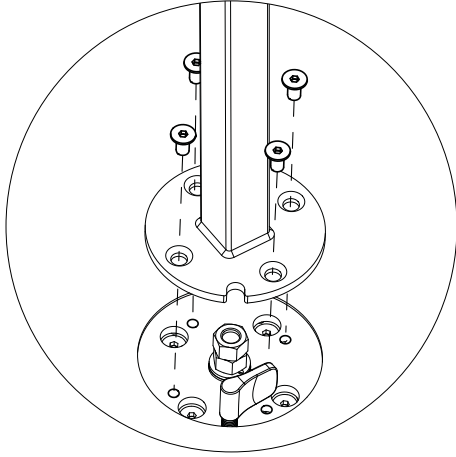


7.

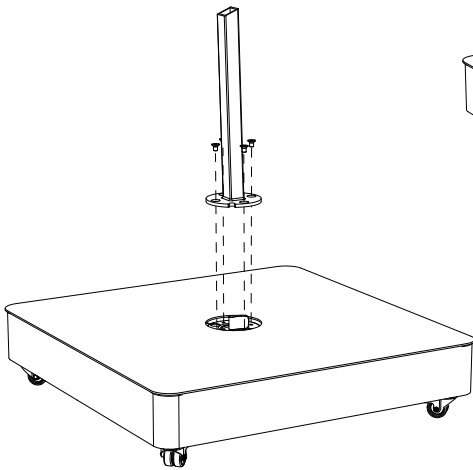


Take the included parasol support out of the pole

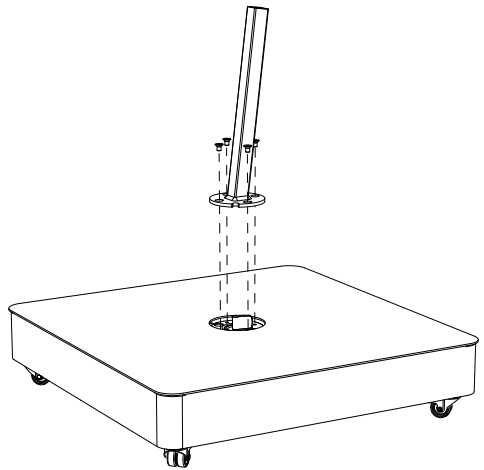
8.



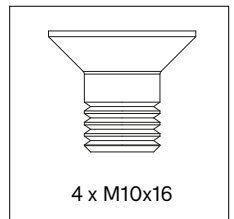
Re-use the bolts from step 3



Straight

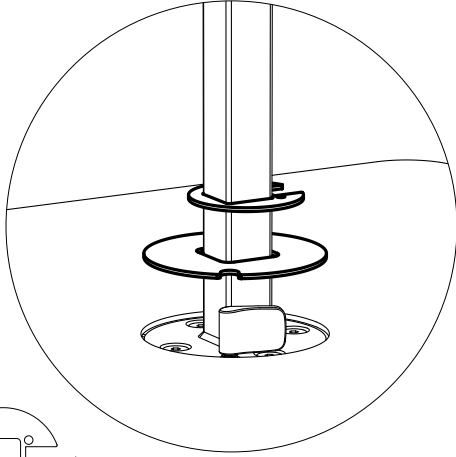


Tilted

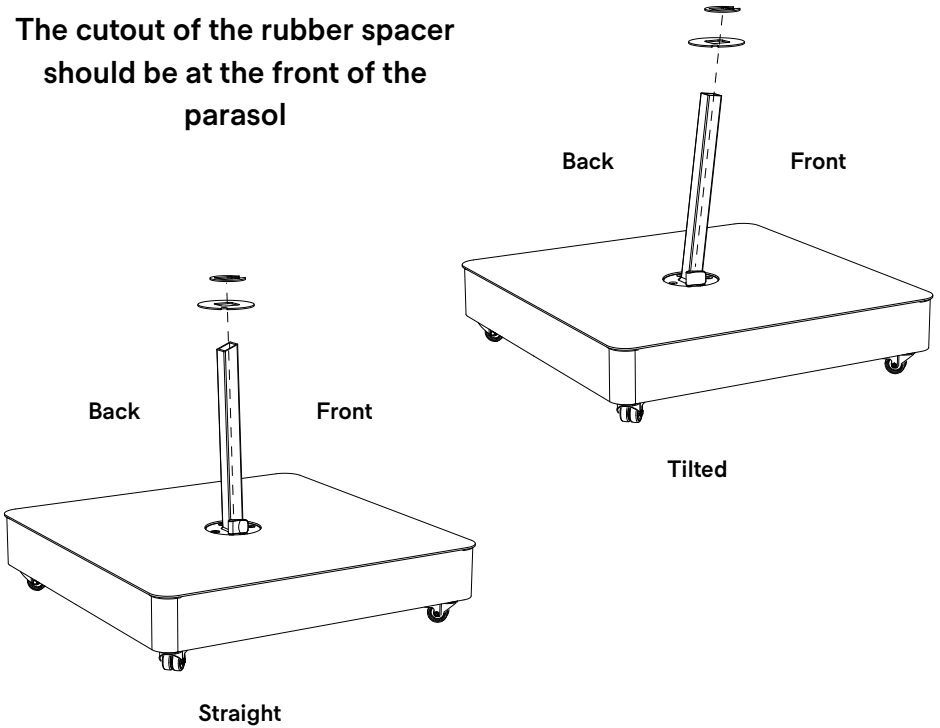


4 x M10x16

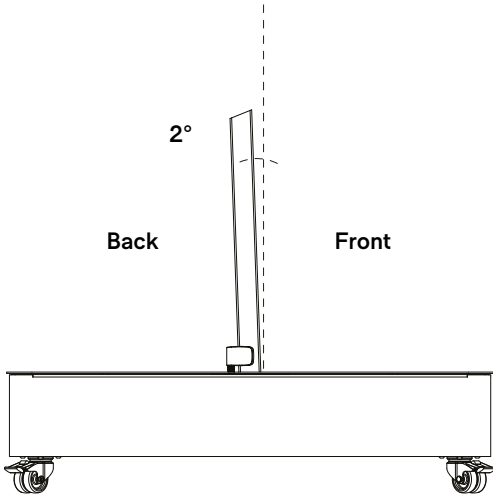
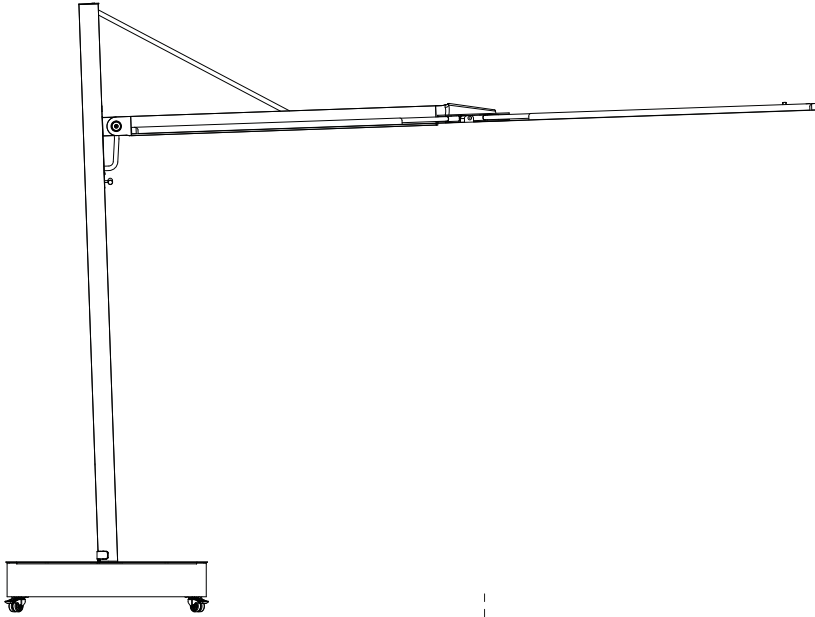
9.



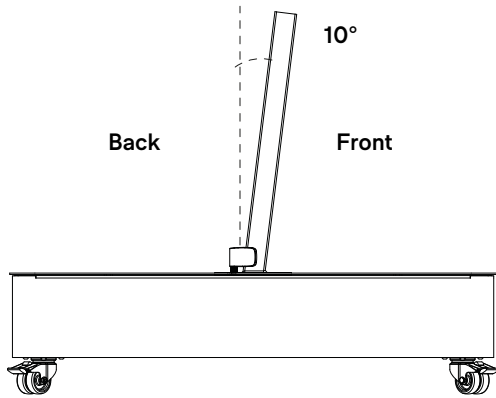
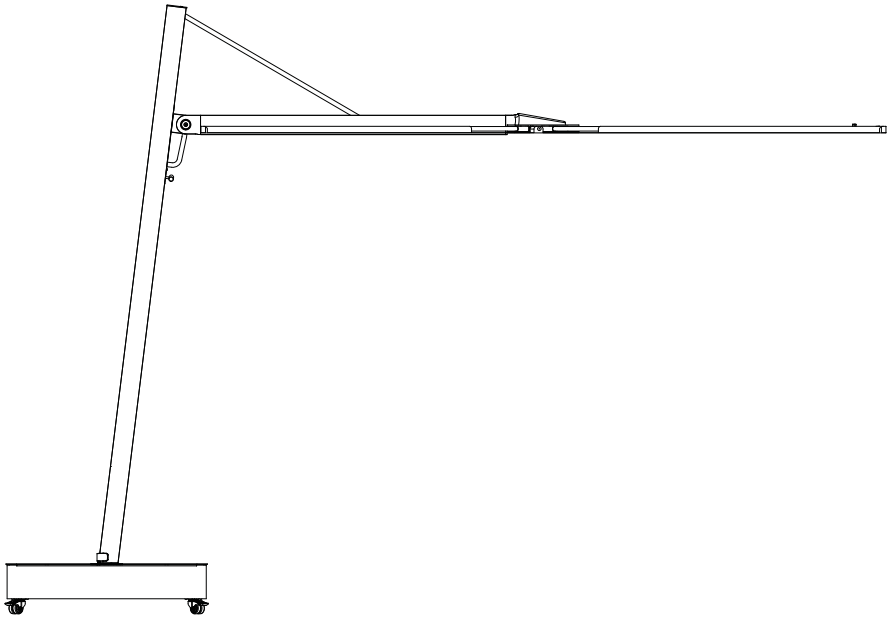
The cutout of the rubber spacer should be at the front of the parasol



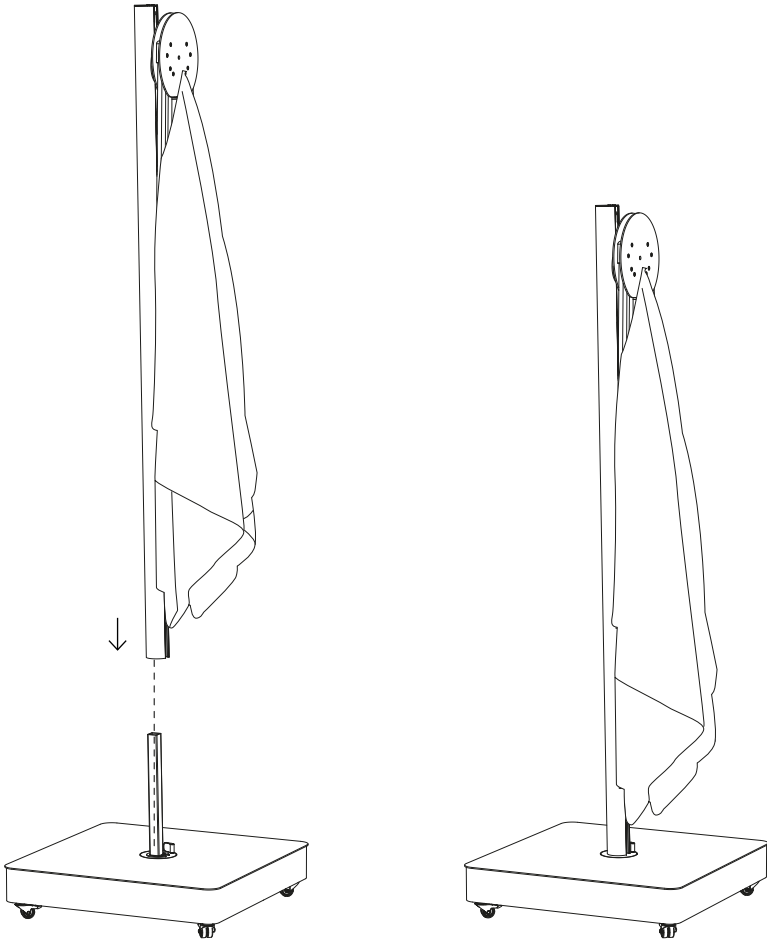
10. Straight



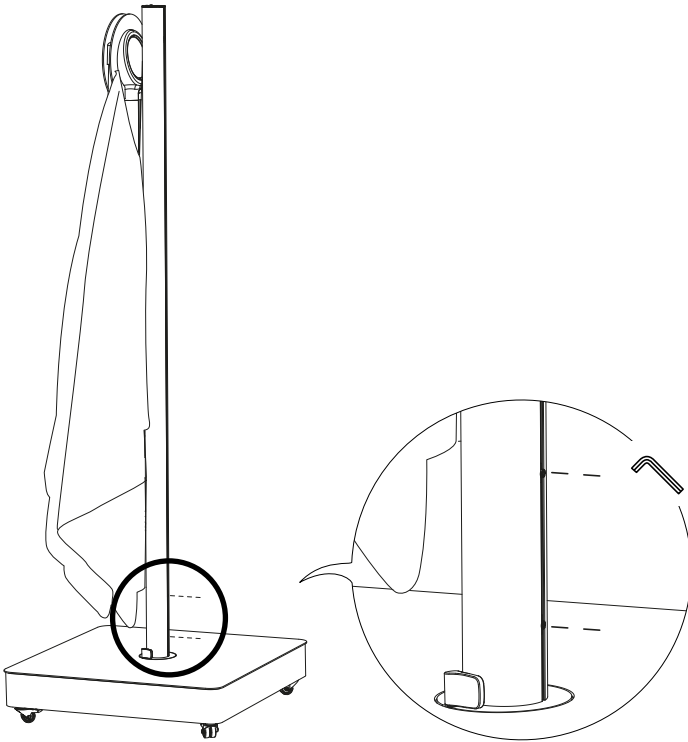
10. Tilted



11.



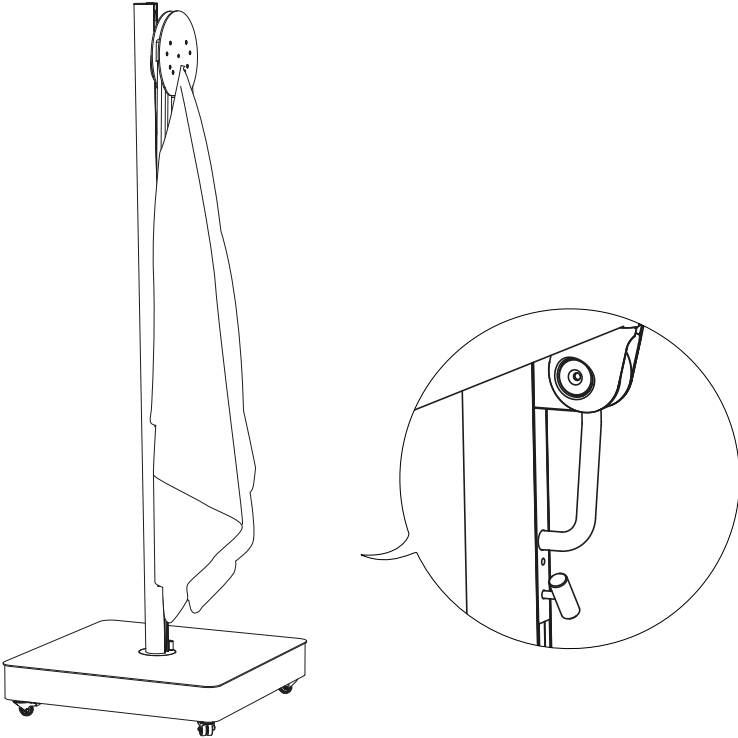
12.



Tighten the two adjusting screws on the back of the pole

Moving up / down

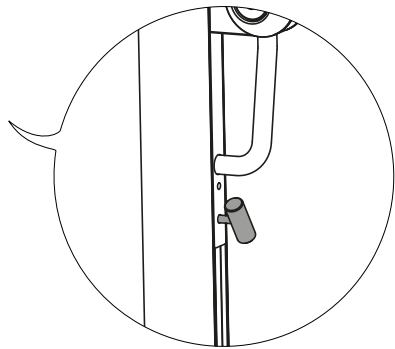
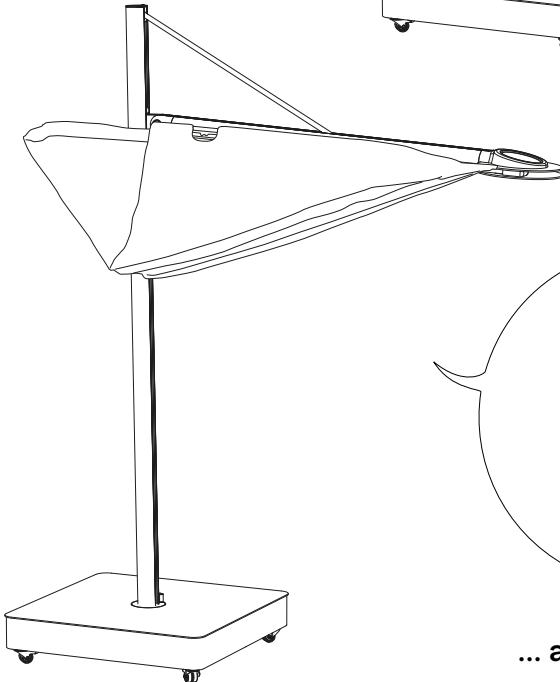
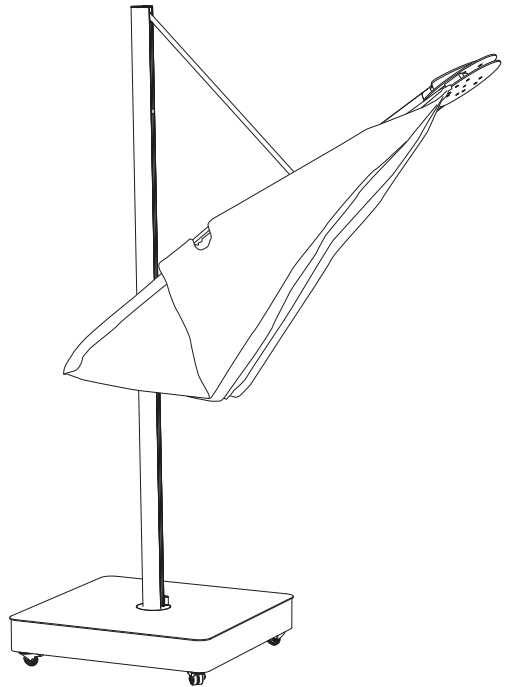
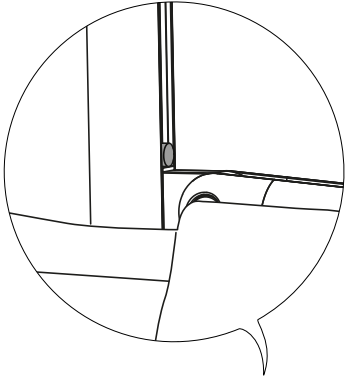
1.



Use the handle to move the shade up / down

2.

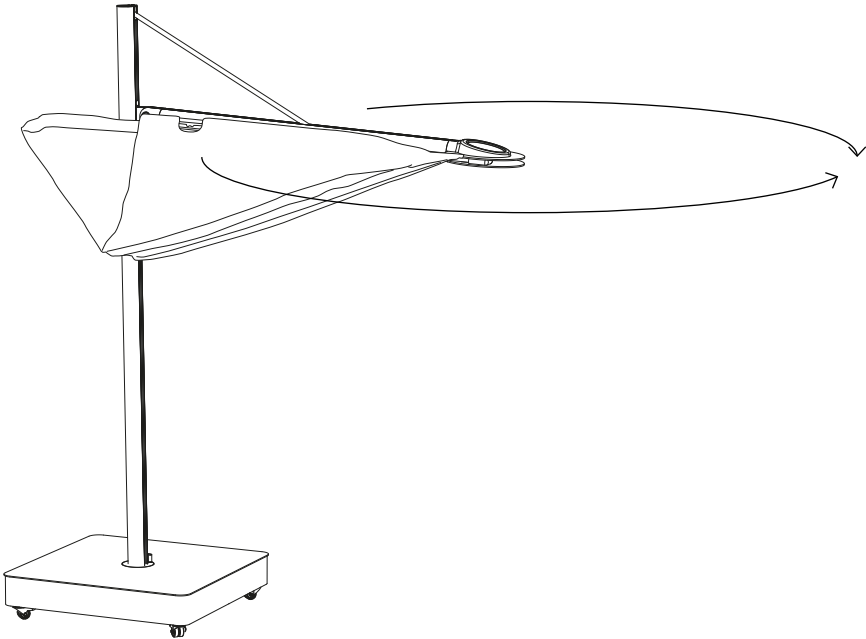
Move all the way up ...



... and fix the handle

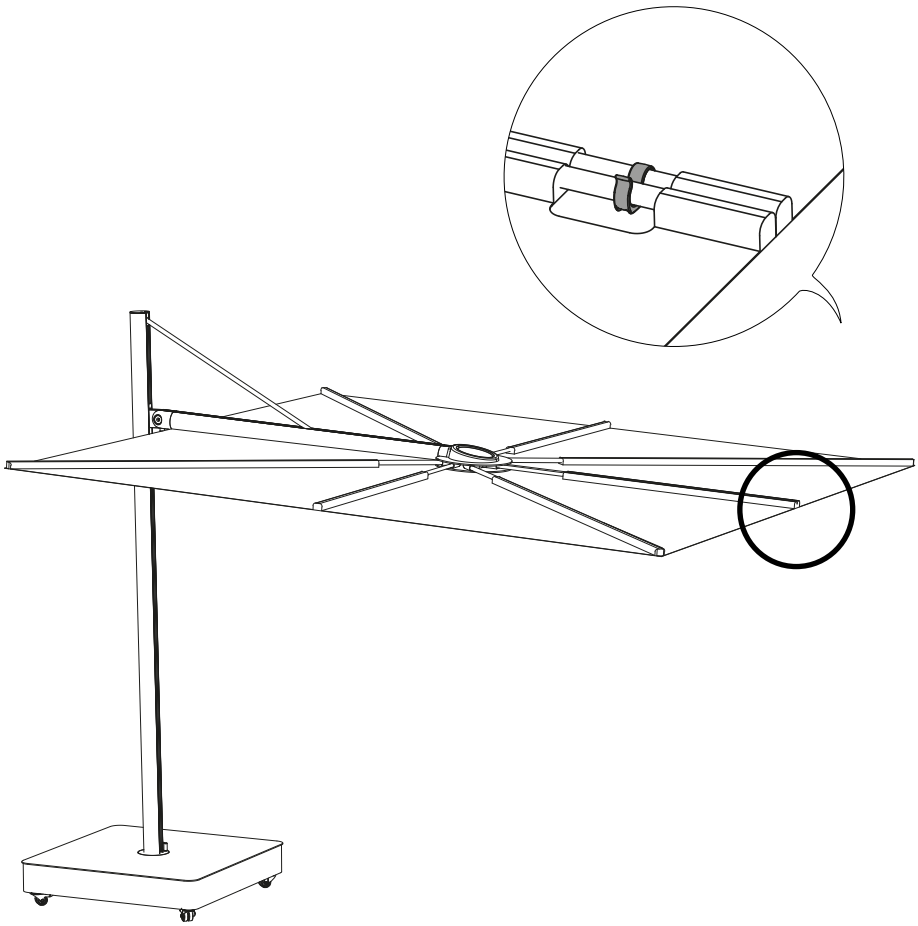
Open / Close / Tilt

1.



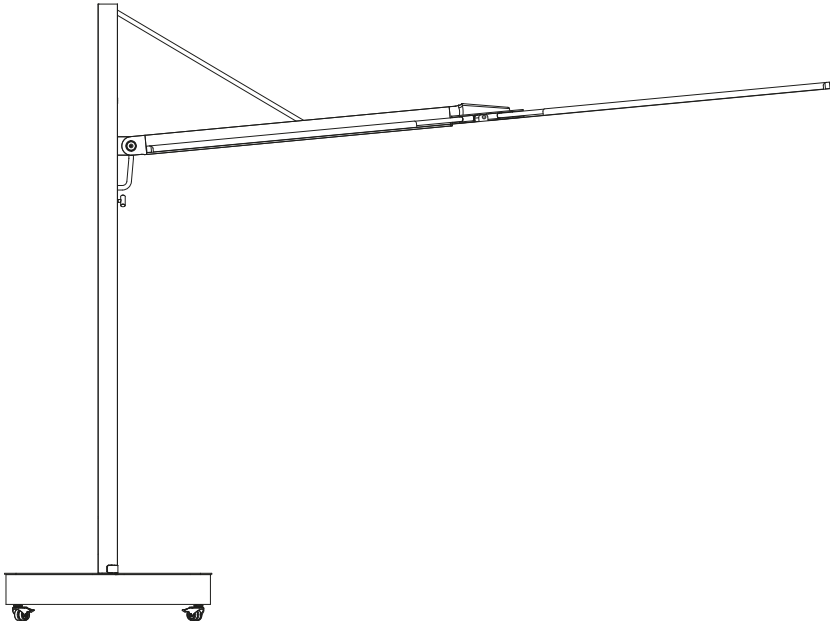
**Open both sides,
one at a time**

2.



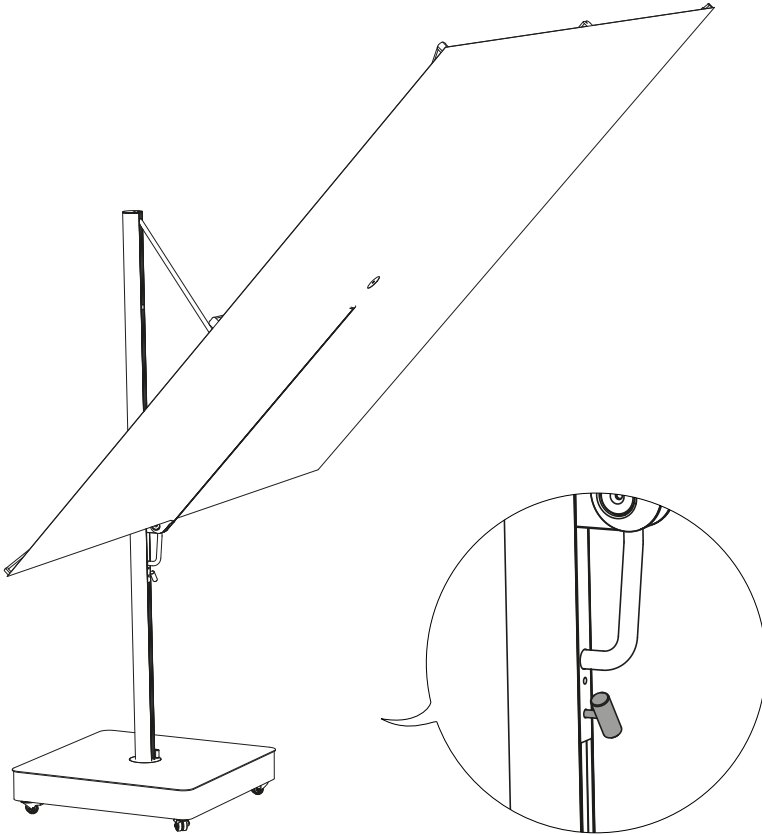
Connect the balleens with the hook

3.



Put the Sensu in a tilted position for water drainage & wind advantage. We strongly advise you to close the shade at wind speed 28 km/h (18 mph)

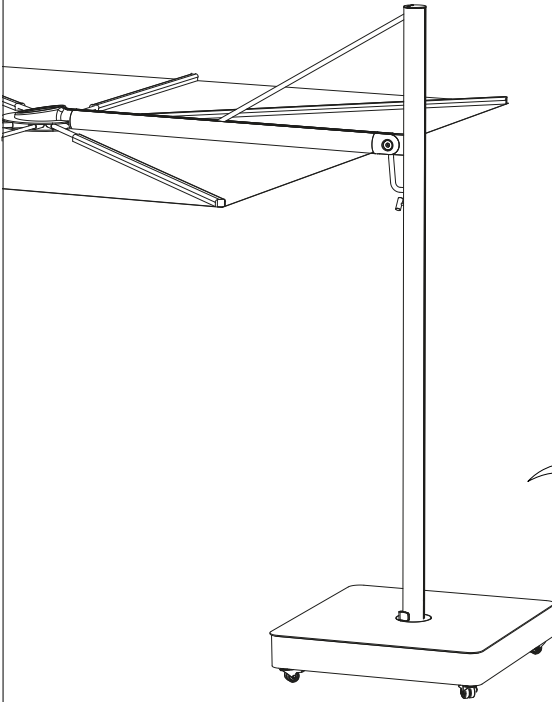
4.



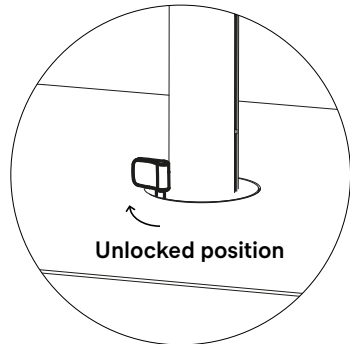
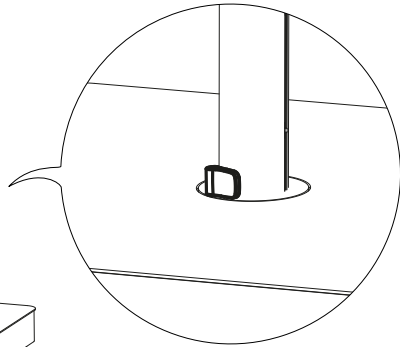
Fix the handle in the desired position

Rotate 360°

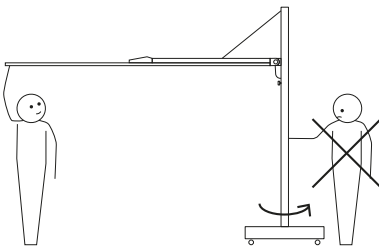
1.



Watch the video



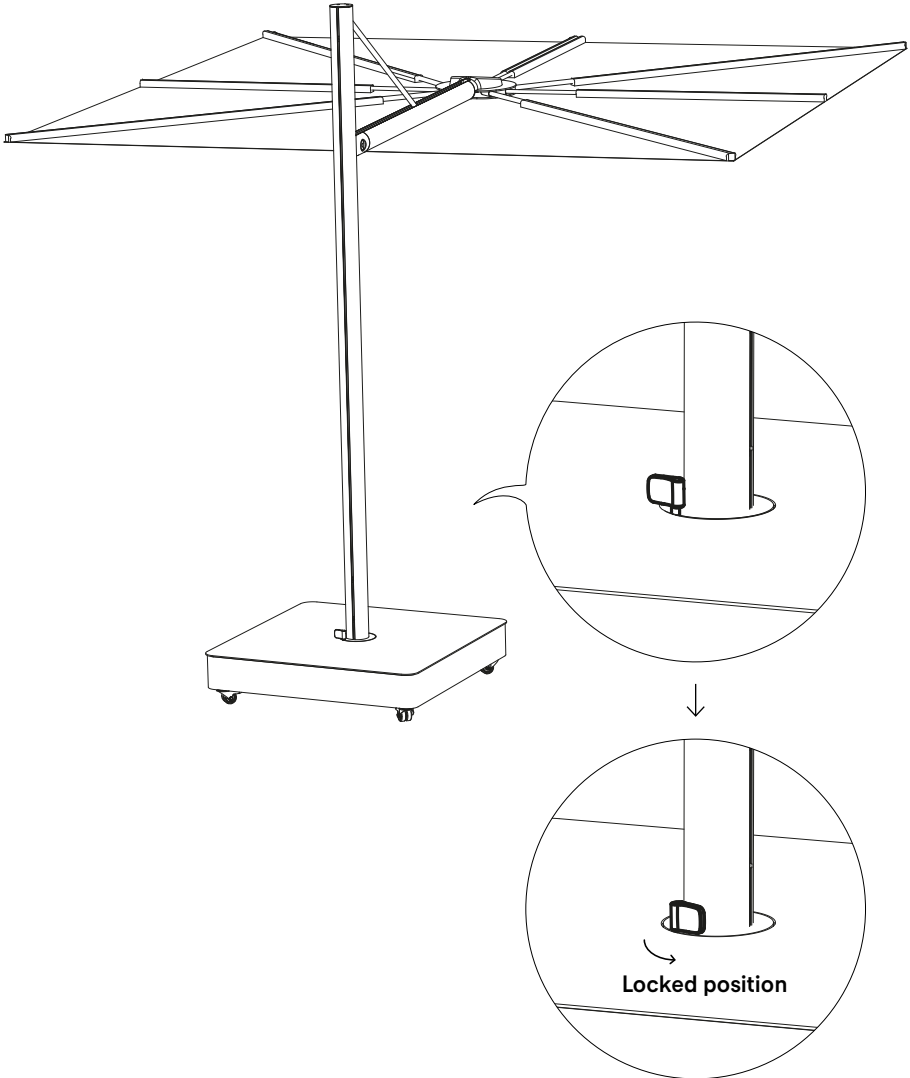
Unlocked position



Unlock the lever at the base

Tip: take the corner of the fabric to turn easily

2.



When in desired position, place the lever back in the locked position. Rotate the shade until you here it “click” in place

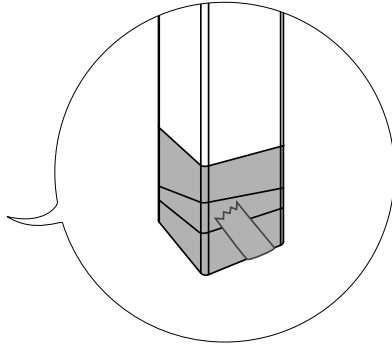
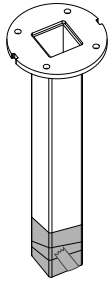
Permanent fixation

1.

N° 6

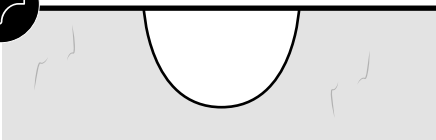
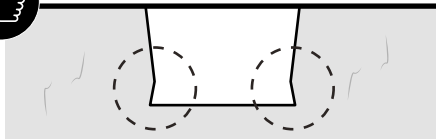


45'

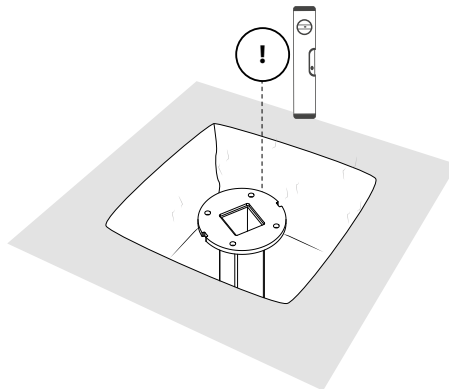
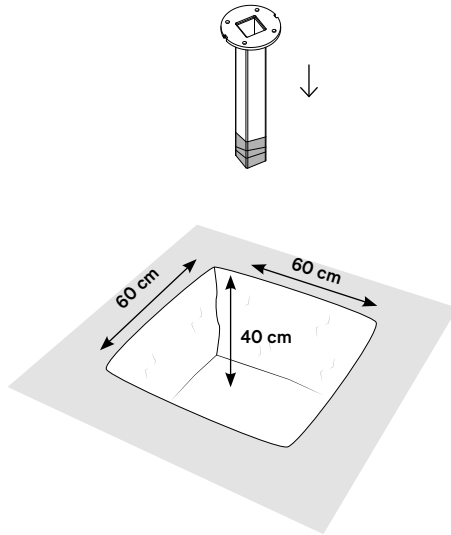


Use tape to close the bottom side of the tube

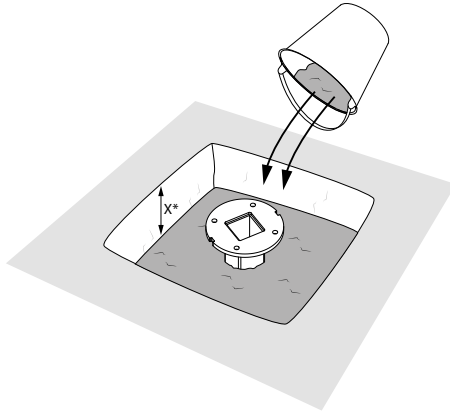
2.




3.

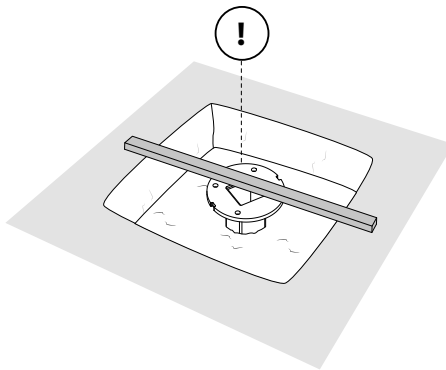


4.

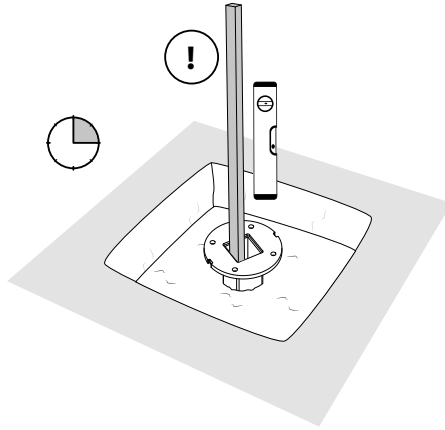


	 GRASS	 GRAVEL	H  TILES
 X*	10 cm	4 cm	= H

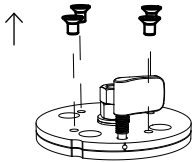
5.



6.

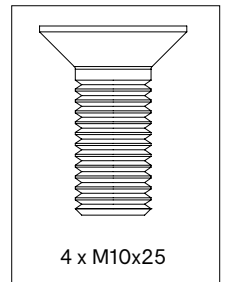
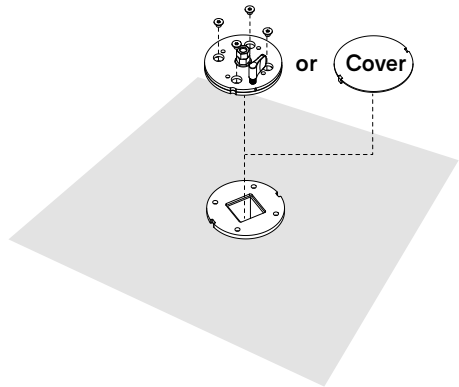


7.

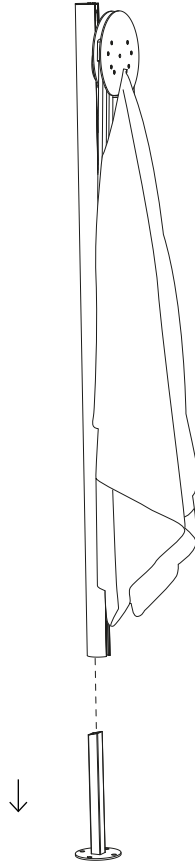


**Remove the four bolts
from the rotating
system, but do not
throw these away!**

8.

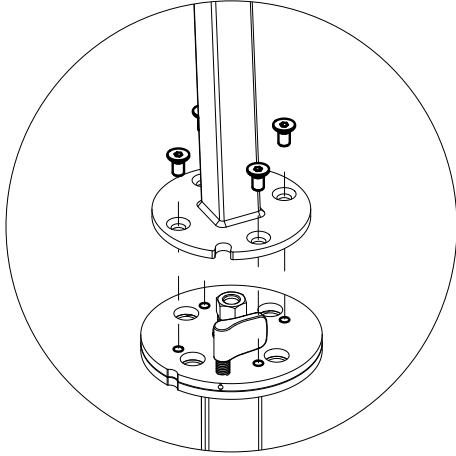


9.

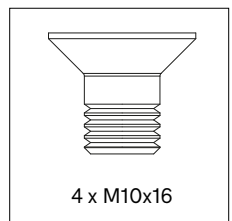
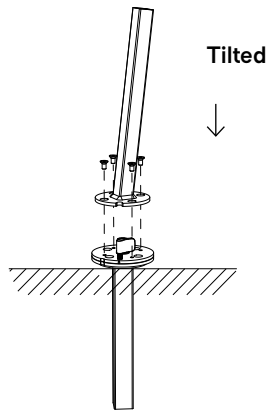
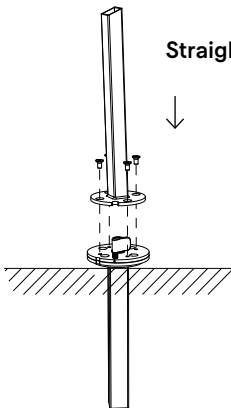


Take the included parasol support out of the pole

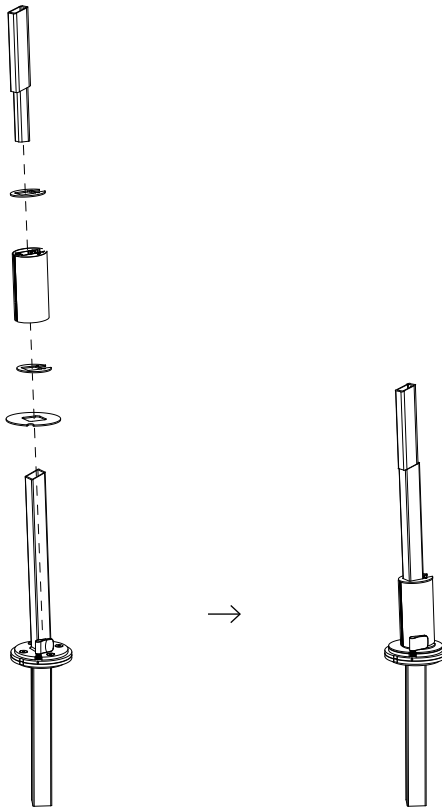
10.



Re-use the bolts from step 7

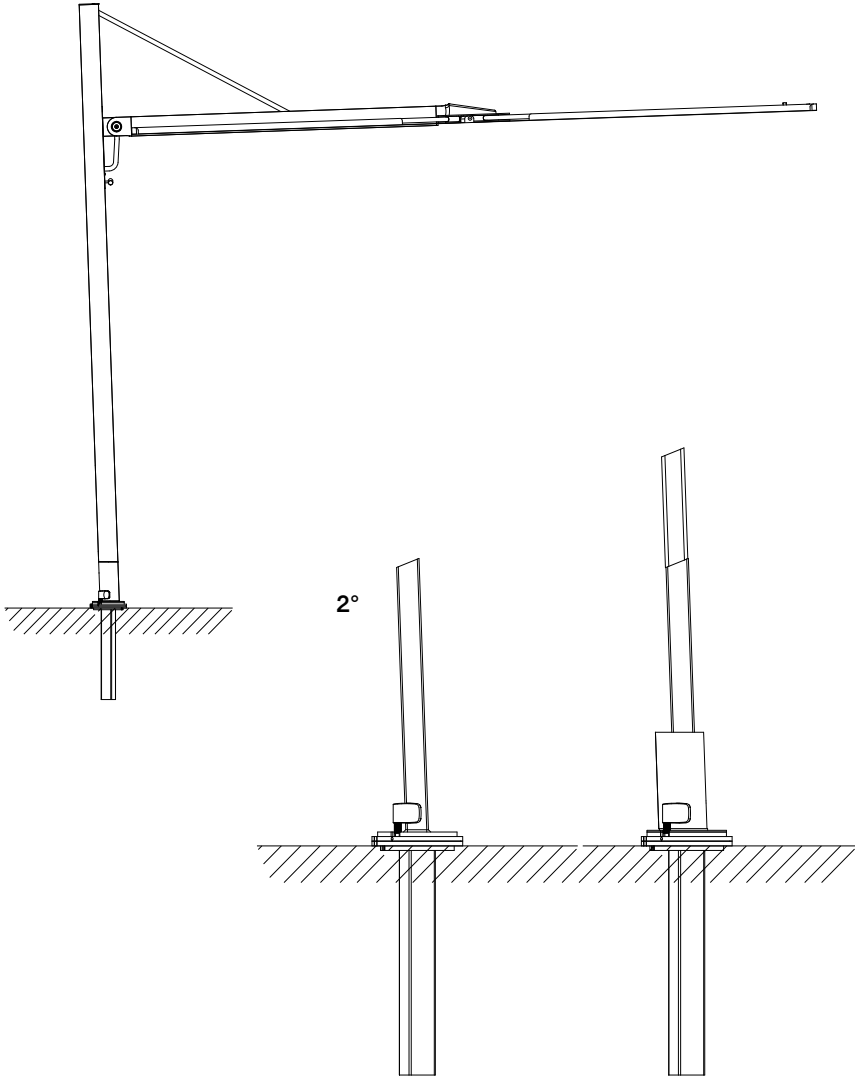


11.

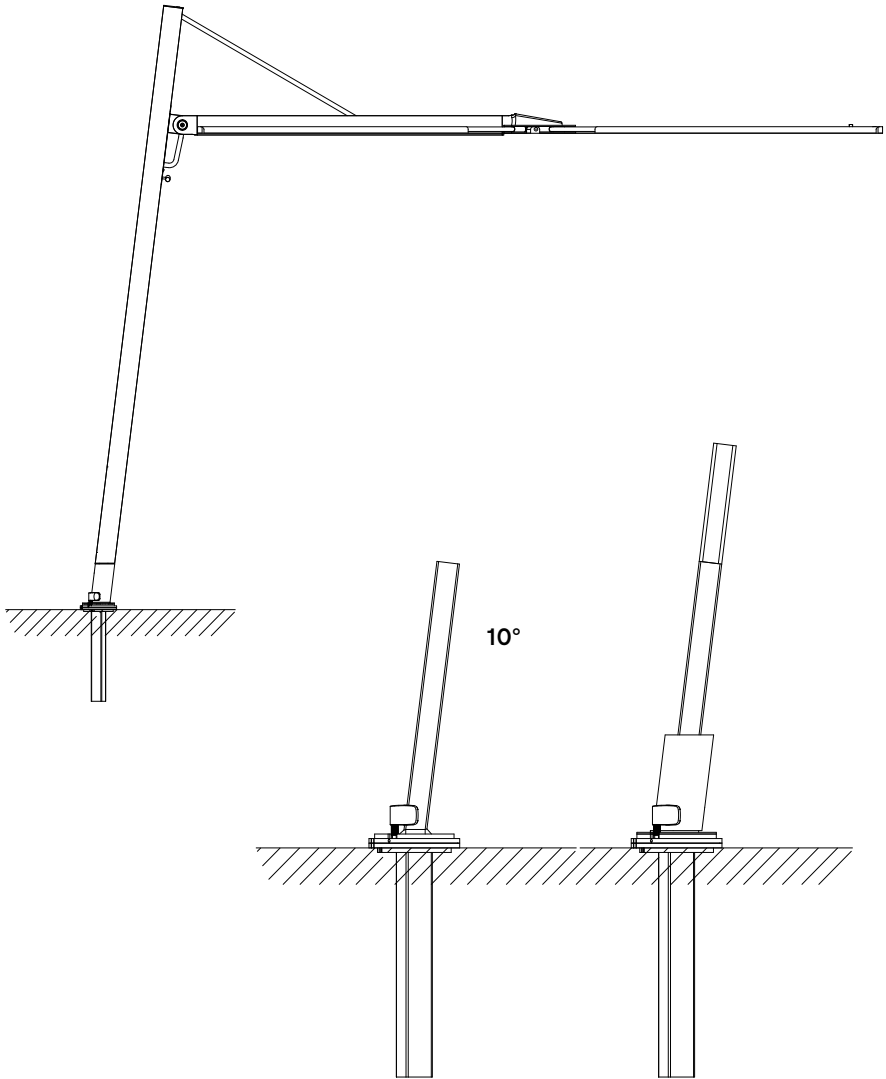


Add the optional pole extension

12. Straight

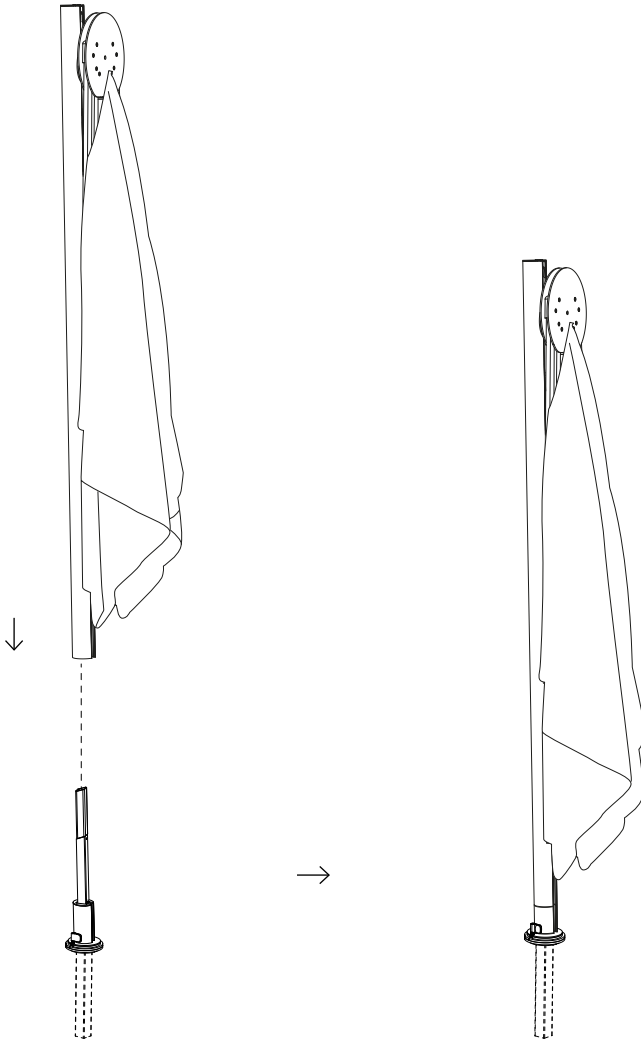


12. Tilted

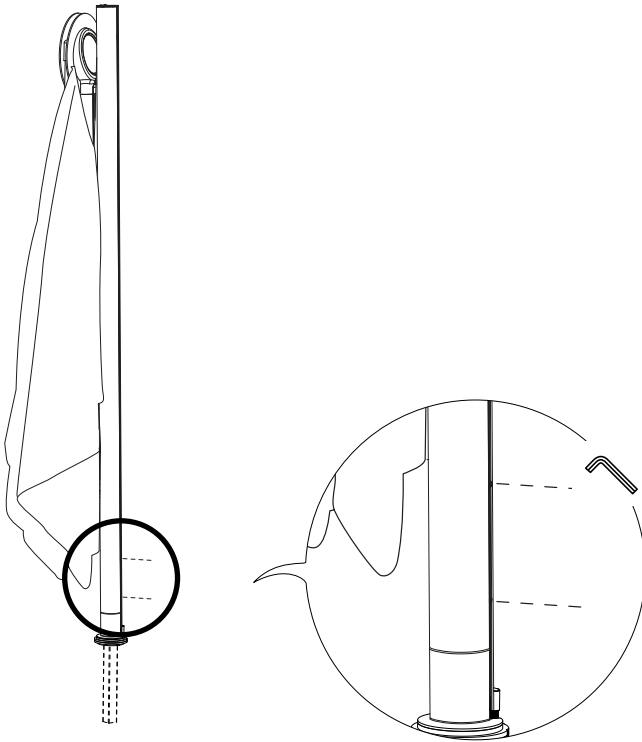


10°

13.



14.



Tighten the two adjusting screws on the back of the pole

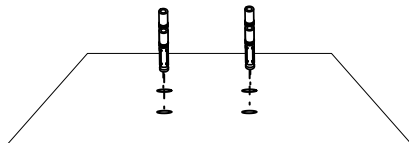
Floor fastening

1.

N° 6

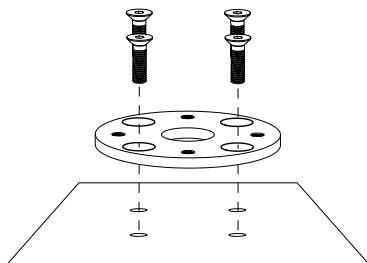


30'



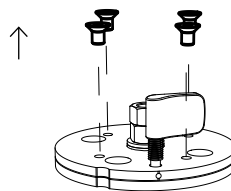
Use the floor fastening plate to mark the holes

2.



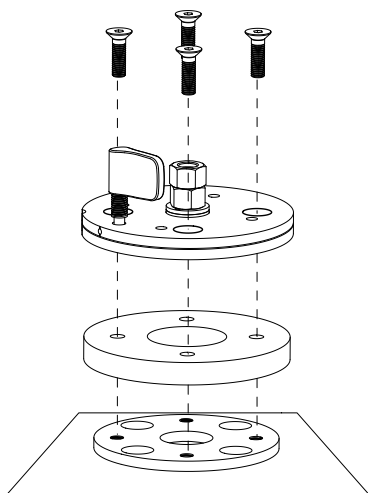
Use suitable bolts or screws from a specialized store depending on the material your terrace is made of

3.

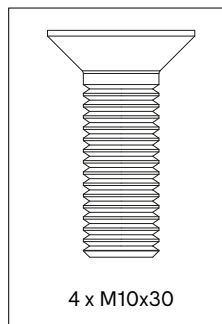


Remove the four bolts from the rotating system, but do not throw these away!

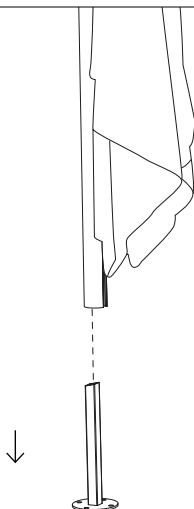
4.



Position the spacer plate on top of the floor fastening plate and attach the rotating disc onto it

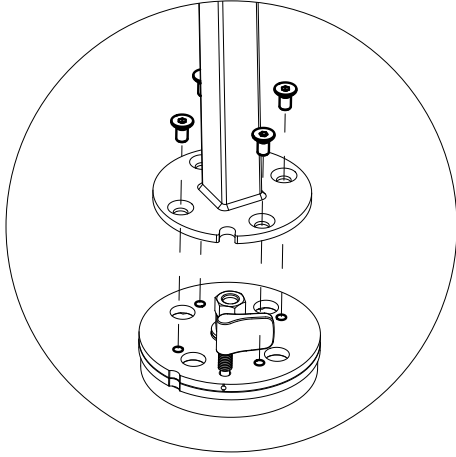


5.

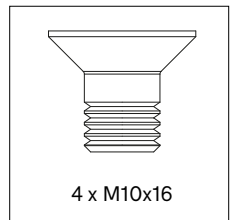
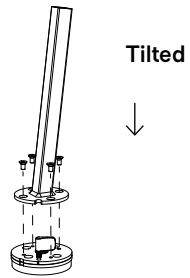
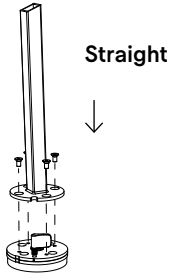


Take the included parasol support out of the pole

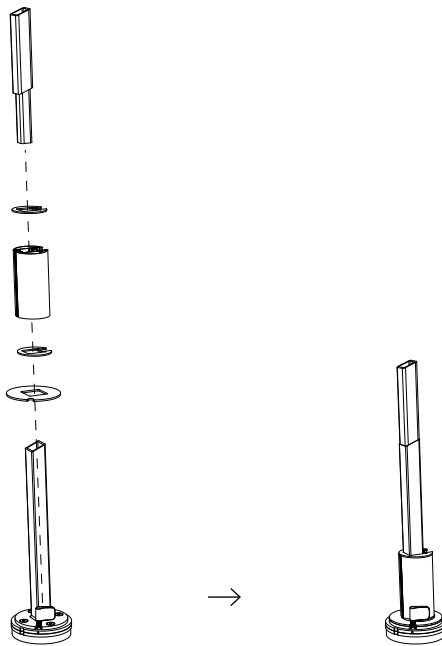
6.



Re-use the bolts from step 2

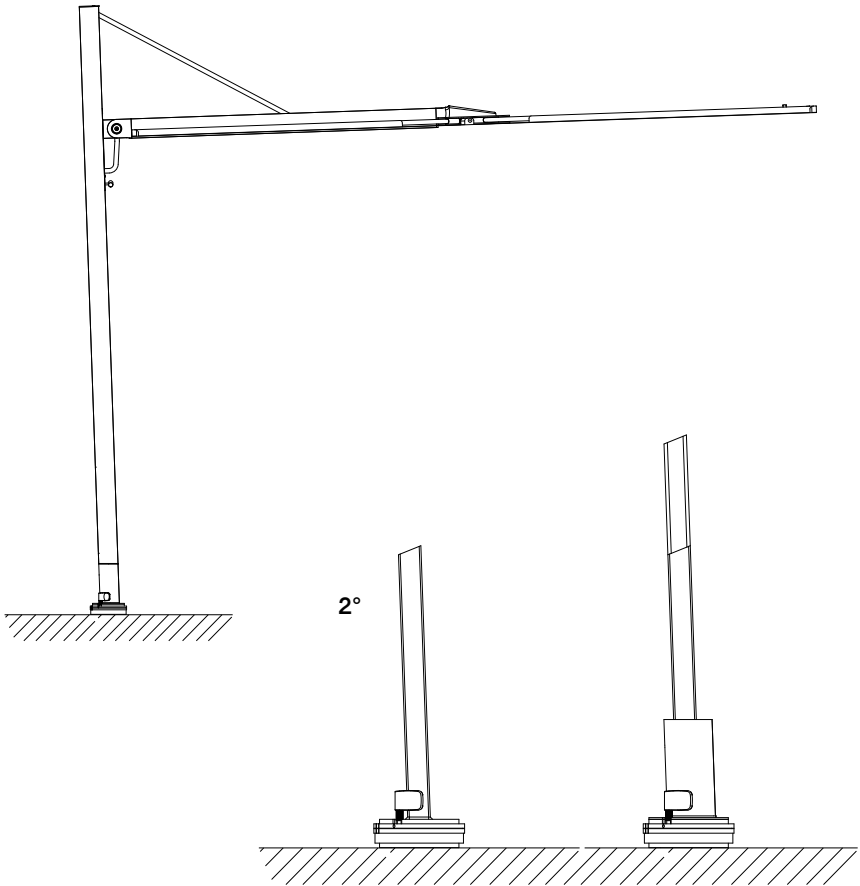


7.

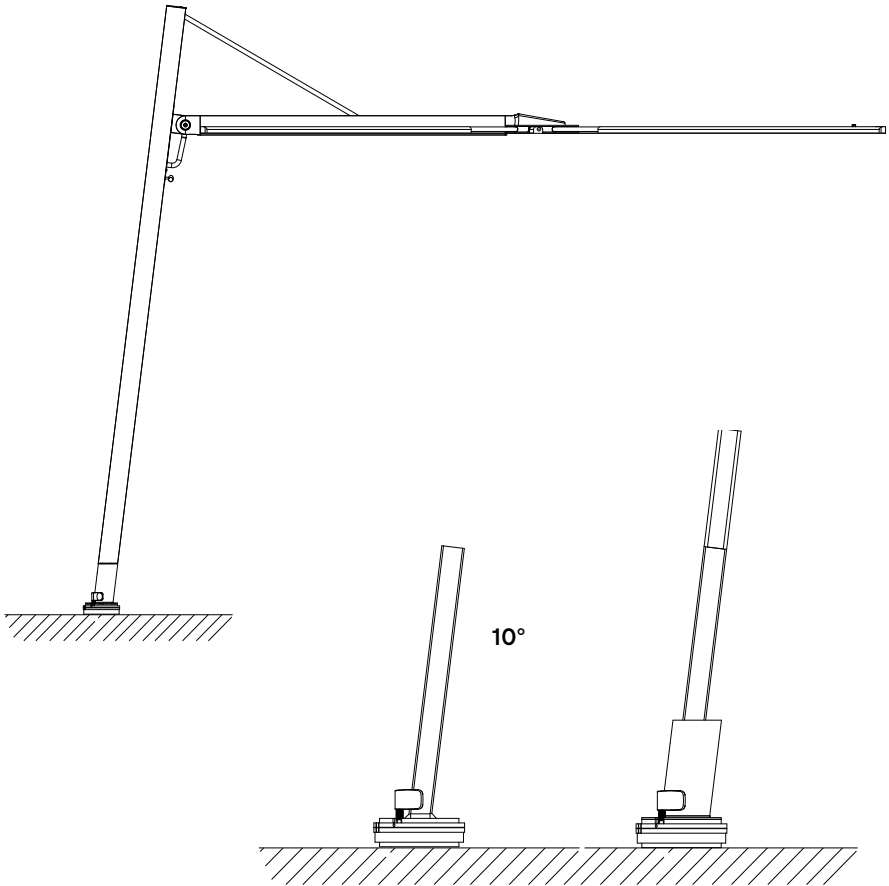


Add the optional pole extension

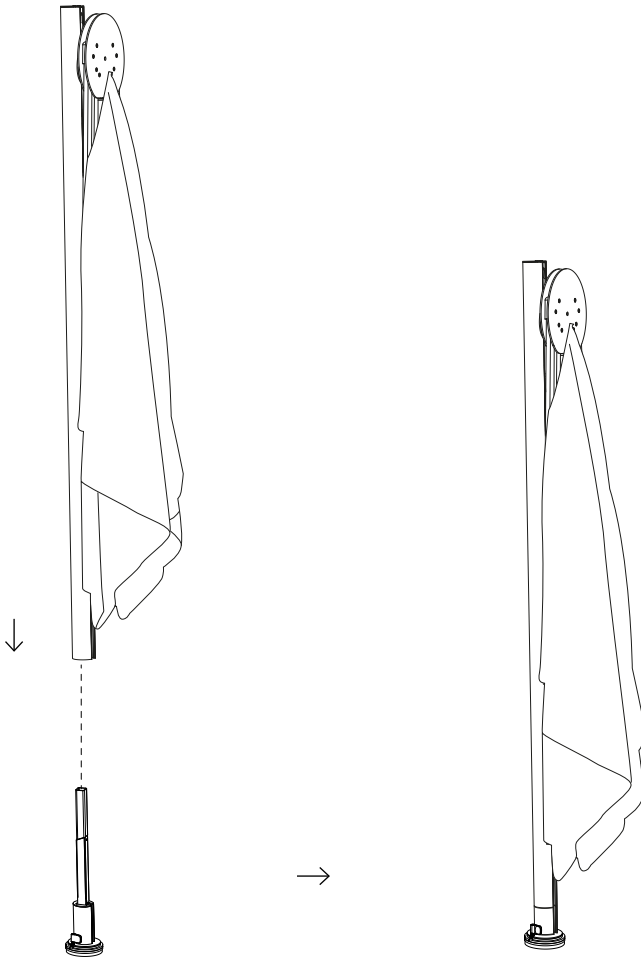
8. Straight



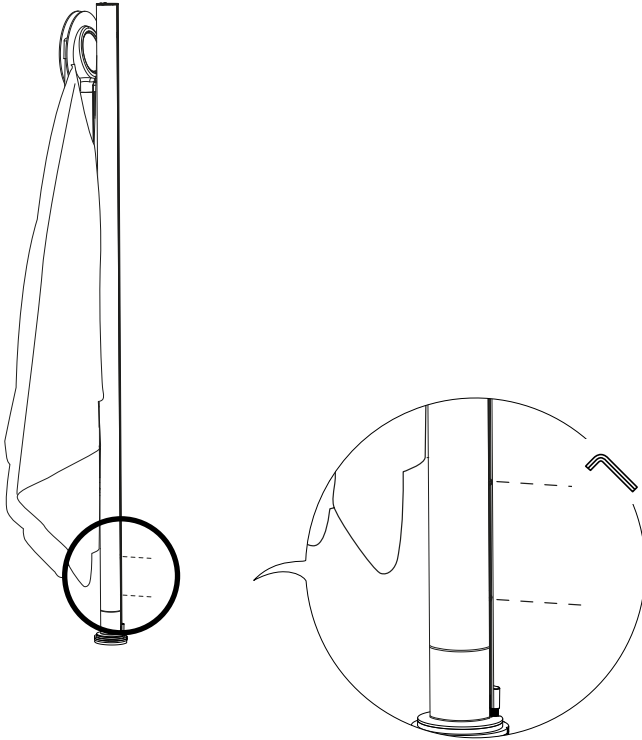
8. Tilted



9.



9.



Tighten the two adjusting screws on the back of the pole

Warnings

Text instructions

Maintenance

Warnings ↗

Assembly text instructions ↗

Maintenance ↗



Warnings

General

- Do not use any sharp tools to open the packaging.
- We strongly advise against using power tools.
- Tripping hazard, mind your step.
- Not graffiti proof.
- To avoid danger of suffocation, keep plastic bags away from babies and children.
- Colors can differ over years and from batch to batch.

Product

- Do not leave the shade unattended when opened.
- Do not drag the shade, but carry it with a minimum of 2 people.
- Anchoring the product has to be done by qualified people.
- For anchoring: use suitable bolts or screws from a specialized store depending on the material your terrace is made of.
- In case of strong winds or if it is not being used, close the shade and tilt the latches downwards. Put the protective cover over the shade to prevent it from blowing open or getting dirty.
- For ventilation purposes, the cover is not 100% water proof.
- Store the shade when not in use for a long time as follows: completely dry and in a dry environment.
- Do not leave the shade closed for a long time when the shade fabric is still damp or wet.
- Tests in a windtunnel have shown that the shade withstands wind speeds up to 6 on the Beaufort scale (49 km/h). Still, we strongly advise to close it sooner (from 4 on the Beaufort scale is the rule of thumb (28 km/h)).
- We advise you to position the shade in the direction of the wind, put the arm in a 5° to 10° angle.



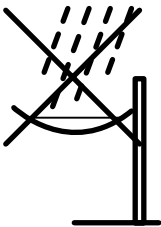
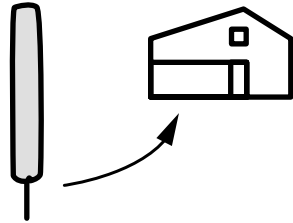
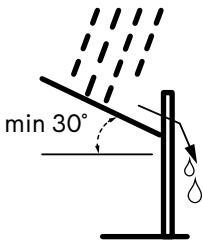
Powder coating

- White powder coating requires more maintenance.
- Do not use abrasive scouring powders or scourers as they will scratch the surface.
- Color can fade to some extent when exposed to UV.
- Flame retarding - NEN-EN13501-1 A2-sI - Satisfying the same criteria as Class B for the SBI-test according to EN13823. In addition, under conditions of a fully developed fire these products will not significantly contribute to the fire load and fire growth.
- Dark colors can get very hot in sunny weather.

Acrylic fabric

- White fabrics requires more maintenance.
- Shake or brush off loose dirt immediately.
- Do not use any aggressive detergents as they will remove the protective coating of the fabric.
- Do not use a high-pressure hose for cleaning.
- Not waterproof, store inside!
- UV color fastness: 7/8 (ISO 105-B02).





Assembly text instructions



Take a look at the drawings, starting from page 7

Wheel / feet base (p7)

- a. with wheel:** Put the wheel base upside down and fix the wheels to the bottom of the base using four bolts M6x12 and four plates.
b. with feet: Put the base upside down. First, fix the four plates to the base using four bolts M6x12 as shown in the drawing. Then you can screw in the feet.
- Turn the wheel base on its wheels.
- Remove the four bolts from the rotating system, but do not throw these away!
- Fix the rotating system as show in the drawing with four bolts M10x25 and four plates.
- Add weights! Do not use the wheel base without any weight! Add at least 153 kg!
- Position the large cover plate on top of the base.
- Take the included parasol support out of the pole.
- Attach the parasol support on top of the rotating system using the four bolts from step 3. Make sure that the cutout is positioned with the rotating pin.
- Now position the small cover plate and rubber spacer on top as shown in the drawing. Make sure that the cutout of the rubber spacer is at the front of the parasol.
- Straight:** Make sure the shade is tilted backwards 2° as shown in the drawing.



Tilted: The tilted side of the parasol support is the front of the shade.

11. Now slide the parasol pole on top of the parasol support.
12. Tighten the two adjusting screws on the back of the pole.

Permanent fixation (p27)

1. Tape the bottom side of the tube to make sure no concrete gets inside the tube.
2. Make a well as shown in the drawing.
3. Place the anchor in the middle of the well and make sure the anchor is perpendicular.
4. Fill the well with concrete.
5. Make sure the top of the anchor is aligned with the desired floor.
6. Check if the anchor is still perpendicular and let it rest for a while until the concrete is hard.
7. Remove the four bolts from the rotating system, but do not throw these away!
8. Fix the rotating system to the anchor and fix with four bolts M10x25. Or place the included cover plate when not using the rotating system.
9. Take the included parasol support out of the pole.
10. Attach the parasol support on top of the rotating system using the four bolts from step 3. Make sure that the cutout is positioned with the rotating pin.
11. Add the optional pole extension together with the small cover plate and rubber spacers as shown in the drawing.
12. **Straight:** Make sure the shade is tilted backwards 2° as shown in the drawing.

Tilted: The tilted side of the parasol support is the front of the shade.

13. Now slide the parasol pole on top of the parasol support.
14. Tighten the two adjusting screws on the back of the pole.

Floor fastening (p38)

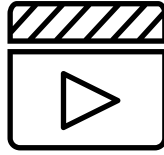
1. Use the floor fastening plate to mark the holes.
2. Now attach the floor fastening plate to the surface. Use suitable bolts



or screws from a specialized store depending on the material your terrace is made of.

3. Remove the four bolts from the rotating system, but do not throw these away!
4. First position the spacer plate on top of the floor fastening plate. Now also attach the rotating disc with the delivered bolts M10x30 onto it.
5. Take the included parasol support out of the pole.
6. Attach the parasol support on top of the rotating system using the four bolts from step 3. Make sure that the cutout is positioned with the rotating pin.
7. Add the optional pole extension together with the small cover plate and rubber spacers as shown in the drawing.
8. **Straight:** Make sure the shade is tilted backwards 2° as shown in the drawing.
Tilted: The tilted side of the parasol support is the front of the shade.
9. Now slide the parasol pole on top of the parasol support.
10. Tighten the two adjusting screws on the back of the pole.





Watch the maintenance videos on our website:

www.extremis.com/maintenance

Powder coating

CLEANING

Regularly

Use Extremis Multicleaner, a 100% biodegradable detergent or common kitchen cleaning products. Avoid using aggressive products. These surfaces are best cleaned with a neutral cleaning product diluted in water.

REPAIRING DAMAGED POWDER COATING

When damaged

The impact of sharp objects can damage the coating. Scratches or dents can be touched up with our paint pens. However this only camouflages the scratches without removing them.

Acrylic fabric

REGULAR CLEANING

Every 3 months

Rinse all dirt with tap water and wipe dry with a soft cloth.

SPILLED LIQUIDS

Immediately

It is best to treat spilt liquids immediately by placing a sheet of absorbent



kitchen paper on them. The water-resistant coating on the fabric prevents droplets from penetrating the fabric.

BIRD POOP

Immediately

Brush off loose dirt. Then use a cleaning solution of water and mild soap and clean with a soft bristle brush. Allow the cleaning solution to soak into the fabric. Rinse thoroughly until all soap residue is removed. Air dry.





Our headquarters:
Couthoflaan 20b
B-8972, Poperinge
info@extremis.com
+ 32 57 346020

extremis.com

Connect with us



All rights reserved. Unless otherwise specified, all designs and photographs contained in this publication are copyright protected and are the property of Extremis. No part of this publication may be copied or distributed without Extremis' prior written consent. The names of the authors of photographs to which we do not hold rights are mentioned here. We have done our utmost to provide a comprehensive list of names. In the event of an alleged breach, please contact the editorial staff. © Extremis

LAB162-3