

# Captain's Chair

© design by Metrica

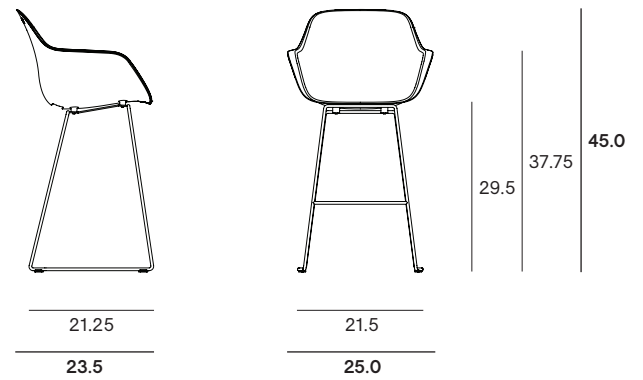
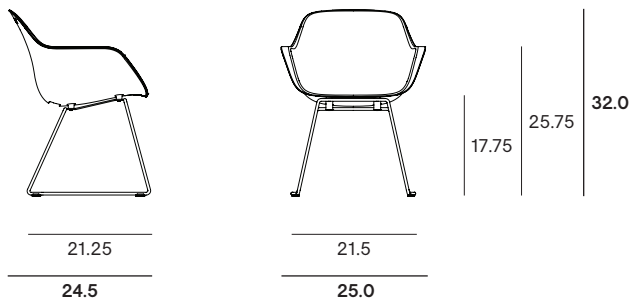
extremis®



## Dimensions

The Captain's sliding Chair is available in one dimension

The Captain's high sliding Chair is available in one dimension



## Box dimensions

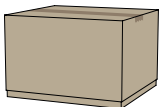
The Captain's sliding Chairs come in 2 boxes

Max. 6 shells per box: 10.24 ft<sup>3</sup> | Gross weight: 59.97 lb | Net weight: 52.91 lb

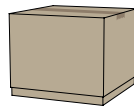
Max. 6 sliding legs per box: 6.36 m<sup>3</sup> | Gross weight: 53.79 lb | Net weight: 46.30 lb

Max. 2 high sliding legs per box: 9.53 m<sup>3</sup> | Gross weight: 30.42 lb | Net weight: 22.93 lb

Box 1: Shell



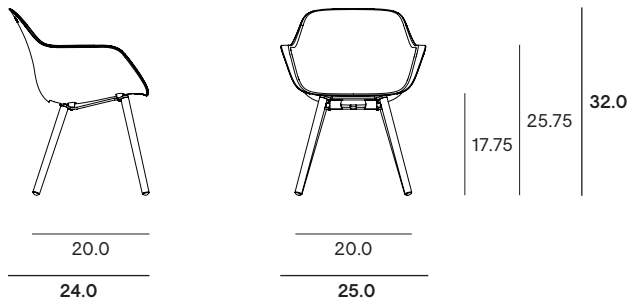
Box 2: Legs + mounting kit



Box dimensions (inch)		L	W	H	Qty	Volume (ft <sup>3</sup> )	Gross weight (lb)	Net weight (lb)	Packaging weight (lb)
Sliding Chair	Box 1	29.0	26.25	19.25	1	8.48	15.87	8.82	7.05
	Box 2	23.25	23.25	18.5	1	5.65	15.21	7.72	7.50
	Total					<b>14.13</b>	<b>31.08</b>	<b>16.54</b>	<b>14.55</b>
High sliding Chair	Box 1	29.0	26.25	19.25	1	8.48	15.87	8.82	7.05
	Box 2	23.25	23.25	29.5	1	9.18	18.96	11.46	7.50
	Total					<b>17.66</b>	<b>34.83</b>	<b>20.28</b>	<b>14.55</b>

## Dimensions

The Captain's woody's Chair is available in one dimension



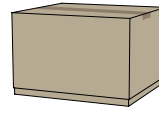
## Box dimensions

The Captain's woody Chair comes in 2 boxes

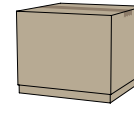
Max. 6 shells per box: 10.24 ft<sup>3</sup> | Gross weight: 59.97 lb | Net weight: 52.91 lb

Max. 3 legs per box: 8.48 ft<sup>3</sup> | Gross weight: 42.88 lb | Net weight: 35.38 lb

Box 1: Shell



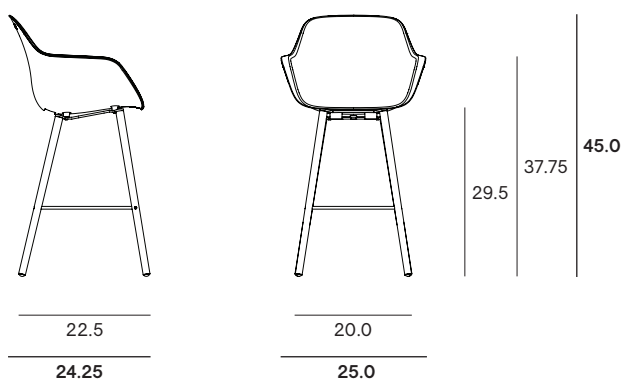
Box 3: Legs + mounting kit



Box dimensions (inch)		L	W	H	Qty	Volume (ft <sup>3</sup> )	Gross weight (lb)	Net weight (lb)	Packaging weight (lb)
Woody Chair	Box 1	29.0	26.25	19.25	1	8.48	15.87	8.82	7.05
	Box 3	23.25	23.25	18.5	1	5.65	19.29	11.79	7.50
					Total	<b>14.13</b>	<b>35.16</b>	<b>20.61</b>	<b>14.55</b>

## Dimensions

The Captain's high woody Chair is available in one dimension

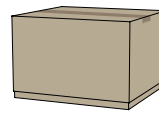


## Box dimensions

The Captain's high woody Chair comes in 3 boxes

Max. 6 shells per box: 10.24 ft<sup>3</sup> | Gross weight: 59.97 lb | Net weight: 52.91 lb

Box 1: Shell



Box 4: Legs



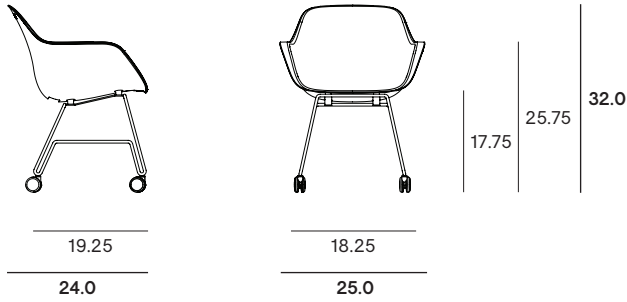
Box 5: Frame + mounting kit



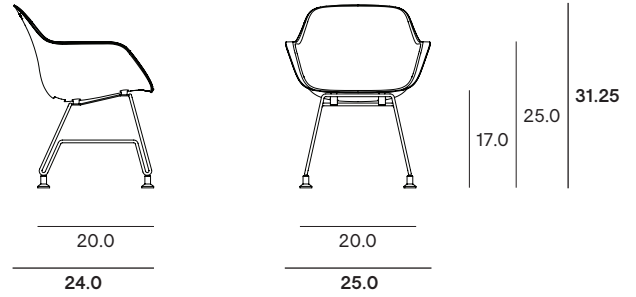
Box dimensions (inch)		L	W	H	Qty	Volume (ft <sup>3</sup> )	Gross weight (lb)	Net weight (lb)	Packaging weight (lb)
High woody Chair	Box 1	29.0	26.25	19.25	1	8.48	15.87	8.82	7.05
	Box 4	34.25	5.75	3.0	1	0.35	5.73	4.63	1.10
	Box 5	17.0	15.0	2.25	1	0.35	9.70	8.82	0.88
					Total	<b>9.18</b>	<b>31.30</b>	<b>22.27</b>	<b>9.03</b>

## Dimensions

The Captain's rolling Chair is available in one dimension



The Captain's paw Chair is available in one dimension



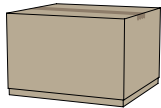
## Box dimensions

The Captain's rolling & paw Chairs come in 2 boxes

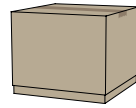
Max. 6 shells per box: 10.24 ft<sup>3</sup> | Gross weight: 59.97 lb | Net weight: 52.91 lb

Max. 6 legs per box: 6.36 ft<sup>3</sup> | Gross weight: 61.20 lb | Net weight: 53.70 lb

Box 1: Shell



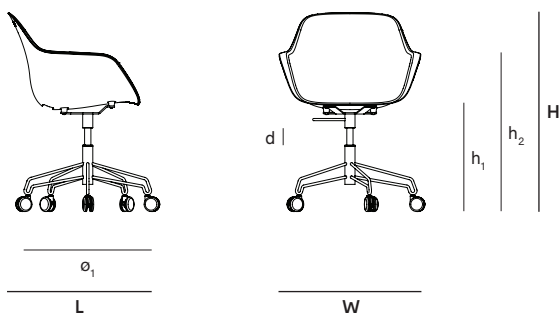
Box 2: Legs + mounting kit



Box dimensions (inch)		L	W	H	Qty	Volume (ft <sup>3</sup> )	Gross weight (lb)	Net weight (lb)	Packaging weight (lb)
Rolling Chair	Box 1	29.0	26.25	19.25	1	8.48	15.87	8.82	7.05
	Box 6	23.25	23.25	18.5	1	5.65	16.45	8.95	7.50
	<b>Total</b>					<b>14.13</b>	<b>32.32</b>	<b>17.77</b>	<b>14.55</b>
Paw Chair	Box 1	29.0	26.25	19.25	1	8.48	15.87	8.82	7.05
	Box 6	23.25	23.25	18.5	1	5.65	15.65	8.16	7.50
	<b>Total</b>					<b>14.13</b>	<b>31.52</b>	<b>16.98</b>	<b>14.55</b>

## Dimensions

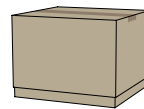
The Captain's swivel Chair is available in one dimension



## Box dimensions

The Captain's swivel Chair comes in 3 boxes

Box 7: Shell + legs + mounting kit



Dimensions (inch)	L	W	H	ø1	h1	h2	d
Swivel chair (highest position)	26.25	25.0	35.75	23.75	20.5	28.75	4.0
Swivel chair (lowest position)	26.25	25.0	33.5	23.75	18.0	26.5	1.5

Box dimensions (inch)		L	W	H	Qty	Volume (ft <sup>3</sup> )	Gross weight (lb)	Net weight (lb)	Packaging weight (lb)
Swivel Chair	Box 1	25.5	24.0	18.5	1	6.71	27.67	21.05	6.61

## Dimensions

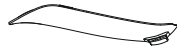
---

The cushion is available in one dimension

The cushions are delivered inside the box of the shells.



18.0



17.5

---

## Dimensions

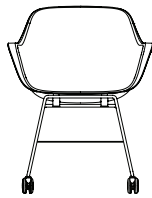
The Captain's paw Chair is available in one dimension

The storage net is delivered inside the box of the shells.

Only compatible with Captain's rolling Chair and Captain's paw Chair



16.25



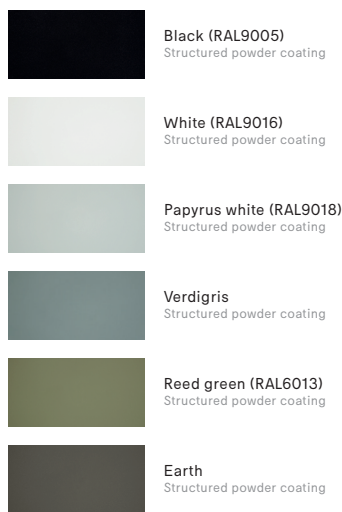
11.0

8.75

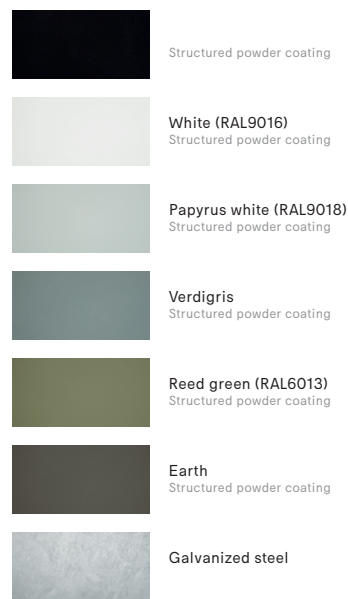
# Materials & colors

Check price list or [www.extremis.com](http://www.extremis.com) for current materials & colors

## Shell



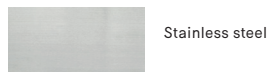
## Legs



## Sunbrella® cushions



## Legs Rolling & Paw



## Legs Woody



Materials	Key facts	Thickness	Layer thickness	Density	In/outdoor	Water	UV color fastness	Flame retarding
		inch	micron					
Polypropylene shell	<ul style="list-style-type: none"> <li>Reinforced polypropylene (17% fiberglass)</li> </ul>	0.20 - 0.31	n.a.	1.98 10 <sup>3</sup> lb/ft <sup>3</sup>	Outdoor & indoor	n.a.	Very good UV-resistance	/
Structured powder coated steel legs (sliding, high sliding chair & swivel chair)	<ul style="list-style-type: none"> <li>Easy to clean</li> <li>Cold galvanized, then powder coated</li> </ul>	0.47	100	0.47 10 <sup>3</sup> lb/ft <sup>3</sup>	Outdoor & indoor	n.a.	Very good: color can fade to some extent when exposed to UV	NEN-EN13501-1 A1 *
Hot dip galvanized steel (sliding & high sliding chair)	<ul style="list-style-type: none"> <li>Most durable method for protecting metal from rusting</li> <li>Protective layer</li> <li>Very long life span</li> <li>100% recyclable</li> <li>Cradle to Cradle Certified™</li> </ul>	0.08 - 0.39	50 - 100	0.47 10 <sup>3</sup> lb/ft <sup>3</sup>	Outdoor & indoor	n.a.	Very good, galvanization will however become less shiny when used outdoors	NEN-EN13501-1 A1 *
Stainless steel legs (Rolling & paw chair)	<ul style="list-style-type: none"> <li>High rust resistance</li> <li>Periodical maintenance required</li> </ul>	0.47	n.a.	0.50 10 <sup>3</sup> lb/ft <sup>3</sup>	Outdoor & indoor	n.a.	No effect	NEN-EN13501-1 A1 *
Jatoba legs (Woody & High woody's chair)	<ul style="list-style-type: none"> <li>Exceptional quality</li> <li>Characteristics: durability &amp; stability</li> <li>Bleeds when wood is exposed to rain for the first few times</li> <li>The dye is water-soluble</li> </ul>	1.38	n.a.	53 oz/ft <sup>3</sup>	Outdoor & indoor	n.a.	Untreated wood turns grey after a while	/
Sunbrella® cushions	<ul style="list-style-type: none"> <li>100% Sunbrella Acrylic</li> <li>Best outdoor fabric available for making cushions</li> <li>Dirt repellent</li> <li>Not waterproof, store inside!</li> <li>Machine washable at max. 30°C. Ironing restores the protective layer</li> </ul>	0.01	n.a.	9.53 oz/ft <sup>2</sup>	Outdoor & indoor	The fabric has a water column of 350 mm (EN 20811)	7/8 (ISO 105-B02)	/
PVC coated polyester mesh storage net	<ul style="list-style-type: none"> <li>Extremely strong</li> <li>Exceptional tear strength</li> <li>Excellent UV resistance</li> <li>Robust</li> <li>100% recyclable</li> </ul>	0.03	n.a.	590 oz/ft <sup>2</sup>	Outdoor & indoor	n.a.	≥ 7 (QUVTEST T30-036 lamp UVA 340)	DIN 4102-B2/M2 **

### NEN-EN13501-1 A1

Class A1 products will not contribute to fire in any stage, including fully developed fire. For this reason, they are assumed to be capable of satisfying all requirements of all lower classes as well.

### DIN 4102 - B2/M2

Kleinbrenner: Class B2: All materials used in buildings in Germany need to meet the B2 requirement which is determined using a small flame test.

## Good to know

- Because the shells and frames are separately stackable, they don't take up a lot of transport volume.
- We do not recommend the use of the Rolling & Swivel chair outside, the chairs can be blown away because of its wheels.
- No need for extra straps to fix the cushions.
- There is a water drain and ventilation hole in the shell.
- Captain's Chair combines perfectly with:



With Marina combo



With Marina table



With Marina high table



With Pontsün



With Hopper combo



With Pantagrue high table

## Maintenance

### SHELL

- Use common kitchen cleaning products. Avoid using aggressive products. These surfaces are best cleaned with a neutral cleaning product diluted in water.

### POWDER COATED LEGS

- White powder coating obviously requires more maintenance.

### GALVANIZED STEEL LEGS

- Clean with lukewarm water and a mild detergent or Extremis multi cleaner.

### STAINLESS STEEL LEGS

- Clean regularly with with a dry cloth and some stainless steel cleaner.

### JATOBA HARDWOOD LEGS

- Clean regularly with mild detergent.
- Thorough cleaning with Extremis Wood Cleaner.
- Oil the wood with Extremis Wood Protector. We recommend oiling the wood at regular intervals depending from location and general weather conditions.
- In order to smoothen the surface again after a thorough cleaning, lightly sand your wood with 120 grit sanding paper or a sanding pad.

### SUNBRELLA

- Shake or brush off loose dirt immediately.
- Spray Extremis Multi Cleaner.
- Use a soft brush and make circular movements.
- Let the suds soak in for a moment.
- Rinse thoroughly to remove all soap residue.
- Simply allow to dry.
- It's also possible to put the blanket and the pillow covers in a washing machine (max 40°C). Follow the cleaning instruction on the label.
- If the cushion has metal brackets, we recommend turning the cover inside out first to avoid damaging the washing machine. In this case, leave the zipper open about 10 cm.

## F.A.Q.

Q: Is the chair weatherproof?

A: Yes, except for the versions with wheels. The shell and frame of the Captain's Chair are made of durable, UV- & water proof materials. The shape of the shell makes sure water can evacuate easily

## Warnings

### General

- Do not use any sharp tools to open the packaging.
- We strongly advise against using power tools.
- Tripping hazard, mind your step.
- Do not put out cigarettes on the chair.
- Not graffiti proof.
- Do not leave children unattended whilst playing on the chair.
- To avoid danger of suffocation, keep plastic bags away from babies and children.
- Colors can differ over years and from batch to batch.

### Product

- Stains should be removed immediately with a clean, soft cloth, particularly in case of dark-colored liquids such as wine, ink, coffee, coke, oil or bird droppings. If left to dry, these liquids may cause permanent damage.
- The chairs are weatherproof, except for the versions with wheels
- Do not stand on the chairs.
- Max. 264 lb per chair
- Do not lean backwards, always stay on 4 feet.
- Store the cushions indoors when not used.
- Risk of suffocation in plastic bags.

### Polypropylene

- Avoid using aggressive & abrasive products.
- Very good UV-resistance.

### Powder coating

- White powder coating requires more maintenance.

- Do not use abrasive scouring powders or scourers as they will scratch the surface.
- Color can fade to some extent when exposed to UV.
- Flame retarding - NEN-EN13501-1 A2-sl - Satisfying the same criteria as Class B for the SBI-test according to EN13823. In addition, under conditions of a fully developed fire these products will not significantly contribute to the fire load and fire growth.
- Dark colors can get very hot in sunny weather.

### Galvanized steel

- Galvanization will become less shiny when used outdoors.
- Flame retarding - NEN-EN13501-1 A1 - Class A1 products will not contribute to fire in any stage, including fully developed fire. For this reason, they are assumed to be capable of satisfying all requirements of all lower classes as well.
- Possible impurities in the immersion tank can cause black marks during galvanization, which are intrinsic to this industrial finishing technique.
- White marks on this zinc layer are also intrinsic to this procedure and will disappear when the furniture is put outdoors.
- This industrial finishing technique may result in a rougher surface. This is intrinsic to the process.

### Stainless steel

- Very good UV color fastness.
- Flame retarding: NEN-EN13501-1 A1 - Class A1 products will not contribute to fire in any stage, including fully developed fire. For this reason, they are assumed to be capable of satisfying all

requirements of all lower classes as well.

- Watch out, stainless steel isn't entirely rustproof! Be sure to avoid contact with iron objects. If it does show signs of rust, clean with rust remover as quickly as possible.

### Wood

- When delivered, the wood is untreated.
- The wood can bleed when it's exposed to rain for the first few times.
- Wood is a natural material and its look is different for every slat, plank and tree.
- Wood will gradually become rougher and start to turn grey as a consequence of exposure to the sun and rain. We recommend oiling the wood once or twice a year. 1x before the Summer and 1x after the Summer as protection for the Winter.
- Cleaning regularly with mild detergent. Never use a high pressure cleaner as this will roughen the wood's smooth surface and irreparably damage the wood's fibers.
- Thorough cleaning with Extremis Wood Cleaner.
- We strongly recommend that you treat your wood with wood oil to protect it from stains - Small cracks and crevices can also appear as part of this process. We strongly advise everyone to treat the furniture with our Wood Protector. It is best to repeat this treatment each year.

### Sunbrella

- Not waterproof, store inside!
- Shake or brush off loose dirt immediately.
- UV color fastness: 7/8 (ISO 105-B02).