

Tiki

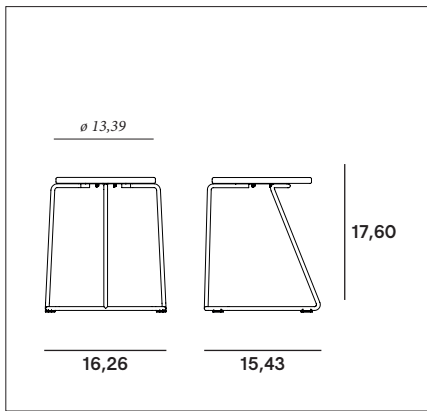
© design by Dirk Wynants

Stool
Counter stool
Bar stool

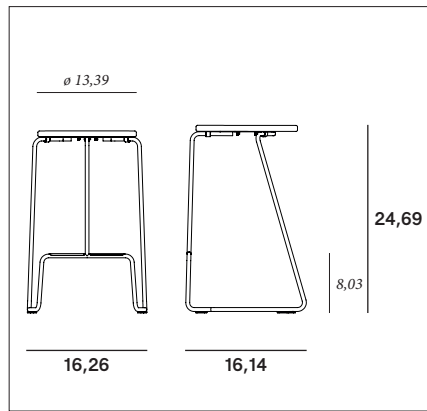
Backrest
Cushion



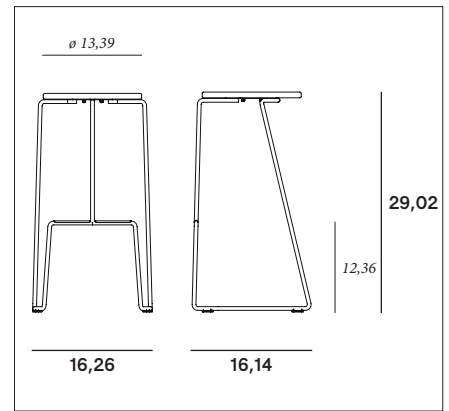
Low



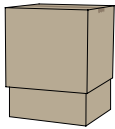
Medium



High



BOX 1: LEGS



BOX 2: SEATS



Max volume: **up to 4 legs per box 1:**

Stool: 4,59 ft³ | Gross weight: 36,38 lb | Net weight: 32,63 lb

Counter stool: 6,00 ft³ | Gross weight: 42,11 lb | Net weight: 38,36 lb

Bar stool: 6,71 ft³ | Gross weight: 47,84 lb | Net weight: 44,09 lb

Max volume: **up to 4 seats per box 2:**

1,06 ft³ | Gross weight: 18,08 lb | Net weight: 16,76 lb

Box dimensions (inch)		L	W	H	Qty (#)	Volume (ft ³)	Gross weight (lb)	Net weight (lb)	Packaging weight (lb)
Stool	Box 1	20,47	18,11	20,87	1	4,59	11,90	8,16	3,75
	Box 2	14,57	14,57	8,46	1	1,06	5,51	4,19	1,32
total:						5,65	17,42	12,35	5,07
Counter stool	Box 1	20,47	18,11	25,20	1	5,30	13,34	9,59	3,75
	Box 2	14,57	14,57	8,46	1	1,06	5,51	4,19	1,32
total:						6,36	16,64	13,78	5,07
Bar stool	Box 1	20,47	18,11	29,72	1	6,36	14,77	11,02	3,75
	Box 2	14,57	14,57	8,46	1	1,06	5,51	4,19	1,32
total:						7,42	18,08	15,21	5,07

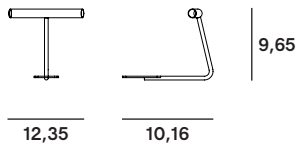
extremis®

The content of this document, in particular the mentioned models, is protected by copyrights and/or design rights. The present document and its content is communicated to you for information purposes only. Any partial or total reproduction or any other use without our prior written permission is strictly prohibited. This technical sheet remains subject to possible changes. **All dimensions are in inch**, unless mentioned otherwise. Extremis is not responsible for the errors in the documentation of products. All measurements are approximate and are provided for informational purposes only.

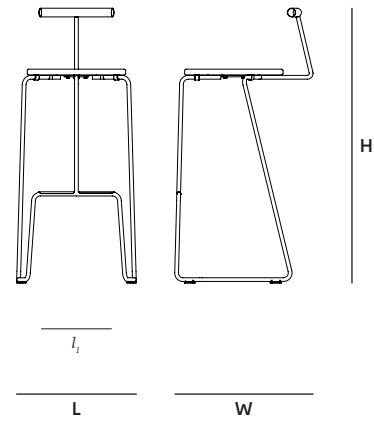
Tech sheet
20201221

Tools for togetherness

Backrest



Dimensions (inch)	L	W	H	l_1
Backrest on stool	16,26	18,70	25,71	9,49
Backrest on counter stool	16,26	18,70	32,99	9,49
Backrest on bar stool	16,26	18,70	37,36	9,49



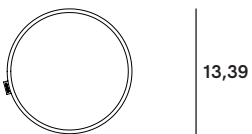
BOX 3: BACKREST



Max volume: **up to 4 backrests per box 3:**
1,06 ft³ | Gross weight: 11,90 lb | Net weight: 10,58 lb

Box dimensions (inch)	L	W	H	Qty (#)	Volume (ft ³)	Gross weight (lb)	Net weight (lb)	Packaging weight (lb)	
Backrest (1 pc)	Box 3	14,57	14,57	8,46	1	1,06	3,97	2,65	1,32

Cushion



The optional cushions are delivered inside the box with the legs:
0,68 lb / pc

Materials & colors



Materials	Key facts	Thickness	Layer thickness	Density	In/outdoor	Water	UV color fastness	Flame retarding
		inch	micron					
Structured powder coated steel legs & backrest	<ul style="list-style-type: none"> • Easy to clean • Cold galvanised, then powder-coated • More scratch-resistant than non structured powder coating 	0,47	100	0,47 10 ³ lb/ft ³	Outdoor & indoor	n.a.	Very good: color can fade to some extent when exposed to UV	NEN-EN13501-1 A1 *
Structured powder coated ZnAlMg steel seats	<ul style="list-style-type: none"> • A technique of applying dry paint to a part • Electrostatically charged and sprayed onto the object • More scratch-resistant than non structured powder coating 	0,06	60	0,47 10 ³ lb/ft ³	Outdoor & indoor	n.a.	Very good: color can fade to some extent when exposed to UV	NEN-EN13501-1 A2-s1 **
Oak seat	<ul style="list-style-type: none"> • Oiled • Feels comfortable in all indoor conditions 	1,18	n.a.	0,50 10 ³ lb/ft ³	Indoor use only	n.a.	n.a.	/
Stainless steel foot rest	<ul style="list-style-type: none"> • High rust resistance • Periodical maintenance required 	0,47	n.a.	0,50 10 ³ lb/ft ³	Outdoor & indoor	n.a.	No effect	NEN-EN13501-1 A1 *
Woolfelt cushion	<ul style="list-style-type: none"> • 100% wool felt • Polyether foam filling 	0,08	n.a.	175 oz/ft ³	Store indoors	n.a.	(ISO 105-B02: 2014)	/

* NEN-EN13501-1 A1

Class A1 products will not contribute to fire in any stage, including fully developed fire. For this reason, they are assumed to be capable of satisfying all requirements of all lower classes as well.

** NEN-EN13501-1 A2-s1

Satisfying the same criteria as class B for the SBI-test according to EN 13823. In addition, under conditions of a fully developed fire these products will significantly contribute to the fire load a fire growth.

Warnings

General

- Do not use any sharp tools to open the packaging.
- We strongly advise against using power tools.
- Tripping hazard, mind your step.
- Do not put out cigarettes on the stool.
- Not graffiti proof.
- Do not leave children unattended whilst playing on the stool.
- To avoid danger of suffocation, keep plastic bags away from babies and children.
- Colors can differ over years and from batch to batch.

Product

- Do not lean forwards or backwards, always stay on 4 feet.
- Stackable up to 8 pieces.
- Max. 1 person or 120 kg per seat.

- The stools are weatherproof, except for the version with oak seat.
- Do not stand on the stools.
- Store the cushions indoor when not used.

Powder coating

- White powder coating requires more maintenance.
- Do not use abrasive scouring powders or scourers as they will scratch the surface.
- Color can fade to some extent when exposed to UV.
- Flame retarding - NEN-EN13501-1 A2-sl - Satisfying the same criteria as Class B for the SBI-test according to EN13823. In addition, under conditions of a fully developed fire these products will not significantly contribute to the fire load and fire growth.
- Dark colors can get very hot in sunny weather.

Wood

- When delivered, the wood is oiled.
- Wood is a natural material and its look is different for every slat, plank and tree.
- Clean regularly with mild detergent. Never use a high pressure cleaner as this will roughen the wood's smooth surface and irreparably damage the wood's fiber.

Felt

- Stains should be removed immediately with a clean, soft cloth, particularly in case of dark-coloured liquids such as wine, ink, coffee, oil and bird droppings. If left to dry, these liquids may cause permanent damage!
- Do not bleach to clean.

Applications

Residential: Open kitchens, living rooms,

Project: Cocktail bars, bars, restaurants, offices,

F.a.q.

Q: Is it possible to stack the tiki?

A: It is possible. You can stack Tiki up to 8 pieces.

Q: Is the chair weatherproof?

A: Yes, except for the version with oak seat. The seat and legs of the Tiki stools are made of durable, UV- & waterproof materials. The hole in the seat makes sure the water can evacuate easily.

Maintenance

Find maintenance instructions at the downloads section of extremis.com for:

POWDER COATED PARTS

- White powder coating obviously requires more maintenance.
- Clean stains with a magic eraser.

FELT CUSHIONS

- Hand-wash in lukewarm water, please don't squeeze but spread them out for drying.
- Use a mild detergent and don't bleach, please also don't remove stains with aggressive chemicals but mild detergents.

Website

www.extremis.com/tiki

Good to know

- Transparent fine lines, to give bars, kitchens, etc., a tidy, sleek look with its minimal impact.
- Foot rest with great freedom of movement.
- Water draining seat for powder-coated seats.
- Stackable up to 8 pieces.

