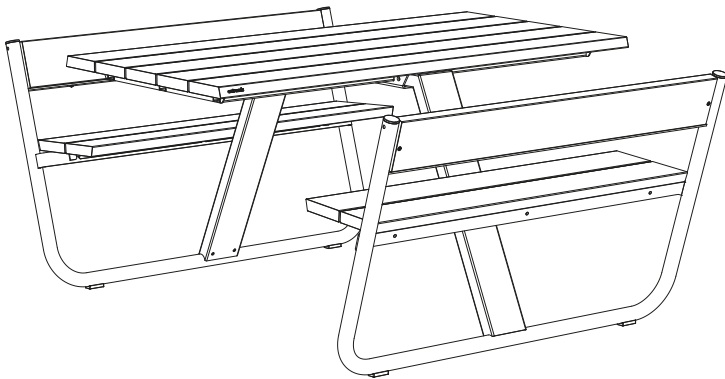
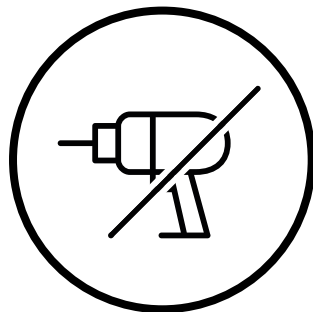


Manille



extremis®

**IMPORTANT! RETAIN FOR FUTURE
REFERENCE: PLEASE READ ALL SAFETY
NOTES AND INSTRUCTIONS. FAILURE
TO COMPLY WITH THESE MAY RESULT
IN SEVERE INJURIES.**



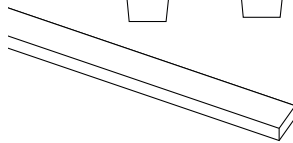
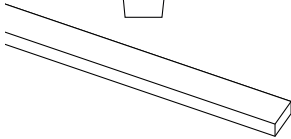
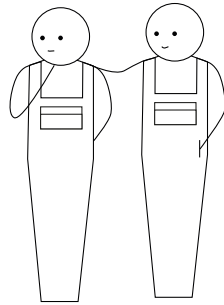
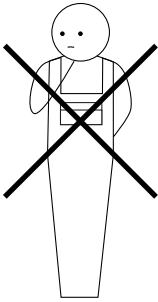
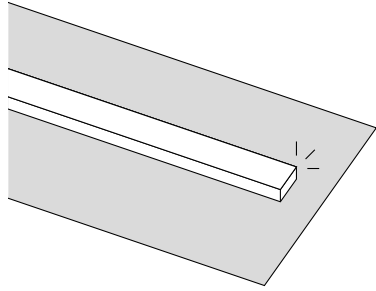
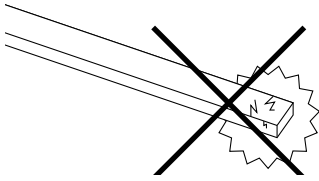


Table of contents ^{1/3}

Mounting kit [↗]

Exploded view [↗]

Assembly Manille [↗]

Assembly floor fastening [↗]

This is an interactive PDF

You can easily navigate through this manual, allowing you to smoothly jump from one page to the other.

Table of contents ^{2/3}

Assembly soft shade [↗]

Assembly fixed shade [↗]

**Assembly couplin
Wood [↗]**

**Assembly coupling
Powder coated [↗]**

This is an interactive PDF

You can easily navigate through this manual, allowing you to smoothly jump from one page to the other.

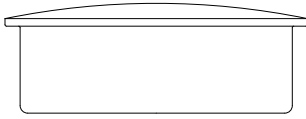
Table of contents 3/3

Warnings - Text instructions -
Maintenance [↗]

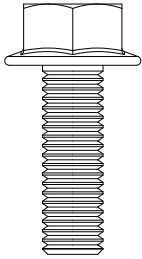
This is an interactive PDF

You can easily navigate through this manual, allowing you to smoothly jump from one page to the other.

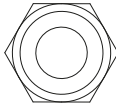
Mounting kit



4 x cap

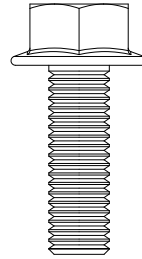


16 x M8x25



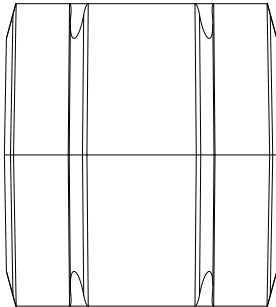
6 x M8

Mounting kit **MNL233** to fix
the Manille table

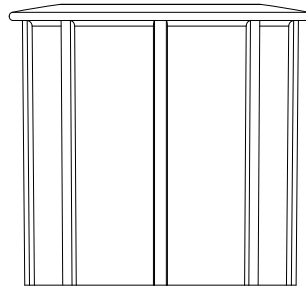


8 x M8x25

Mounting kit **MNL229** to fix
the coupling



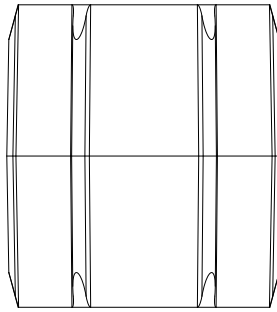
4 x Backrest stopper



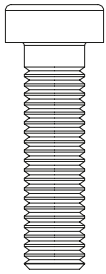
4 x Backrest plug

Mounting kit **MNL221** to fix the soft shade

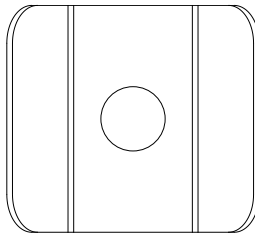




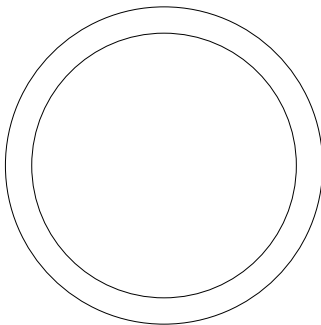
4 x Backrest stopper



4 x M8x30



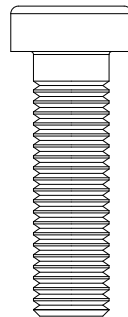
4 x spring plate



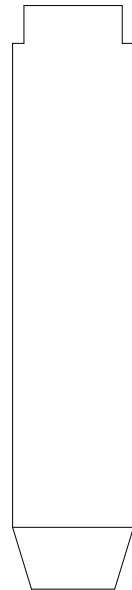
4 x O-ring



4 x M4x10



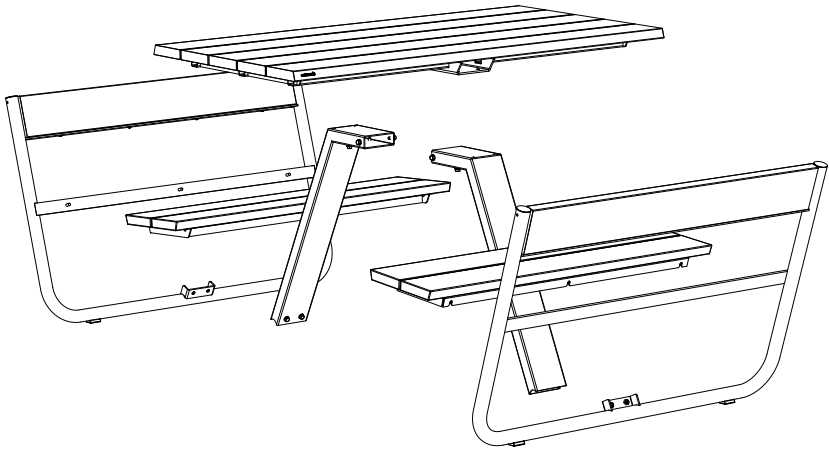
4 x M8x60



2 x Tension part

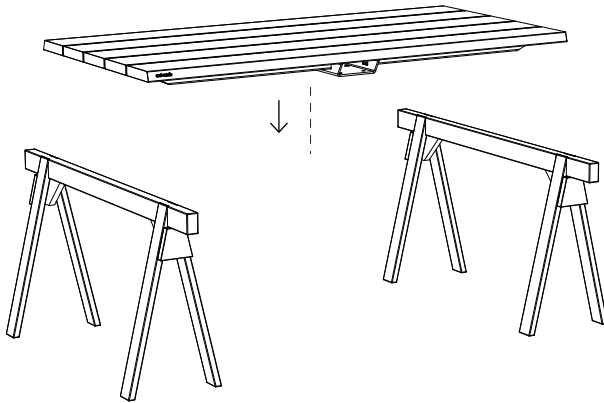
Mounting kit **MNL275** to fix the fixed shade

Exploded view



Manille

1a.



N° 13

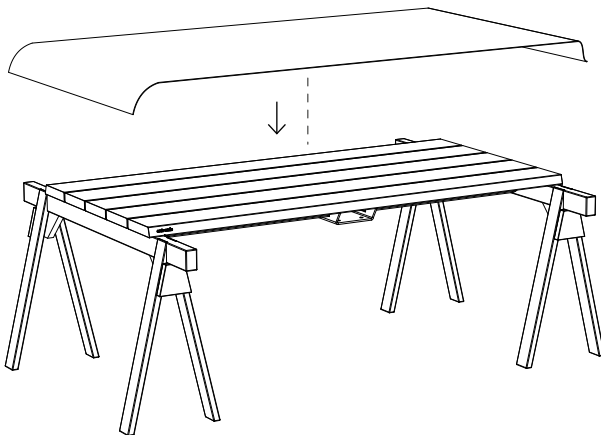


30'



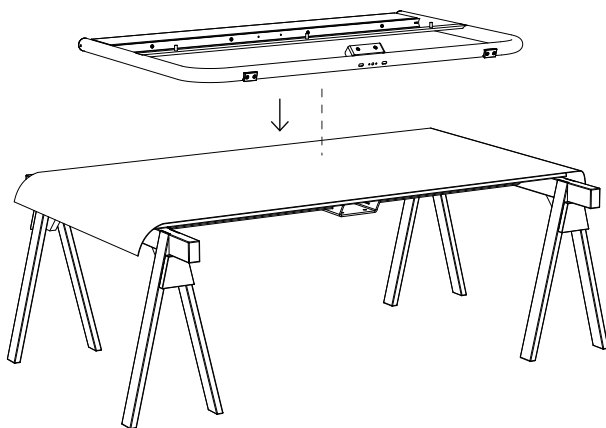
Put the tabletop on two trestless, make sure only the wood rests on the trestless, not the frame!

1b.



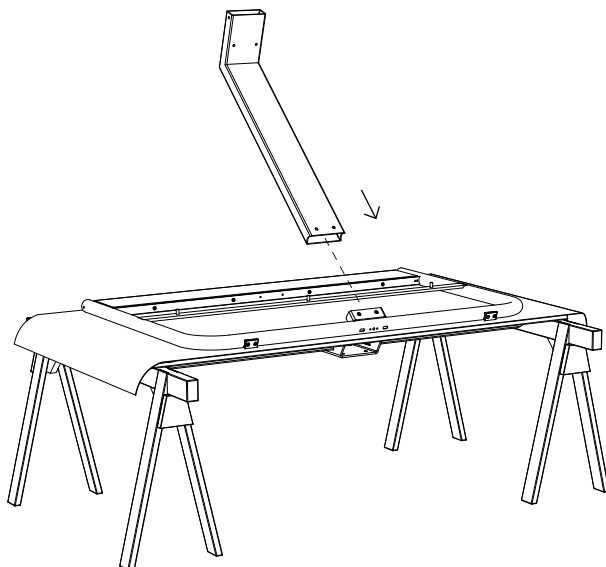
Place the protective foil of the packaging on top of the tabletop

2.

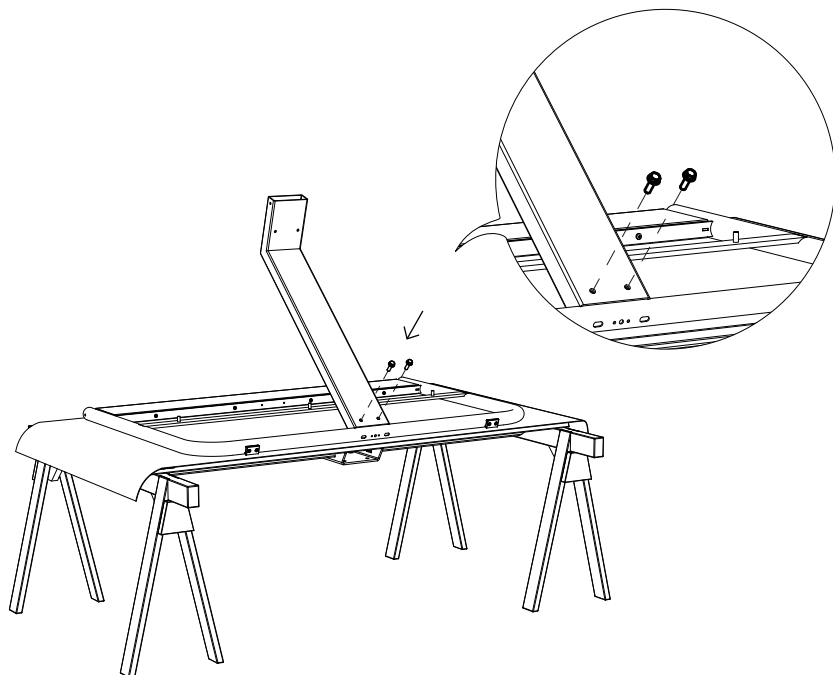


Put one backrest on the protective foil with the leg connection facing upwards

3.



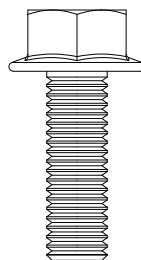
4a. Go to page 13 if you want to add the floor fastening ↗



Tighten carefully!
Excessive force may
damage the coating!

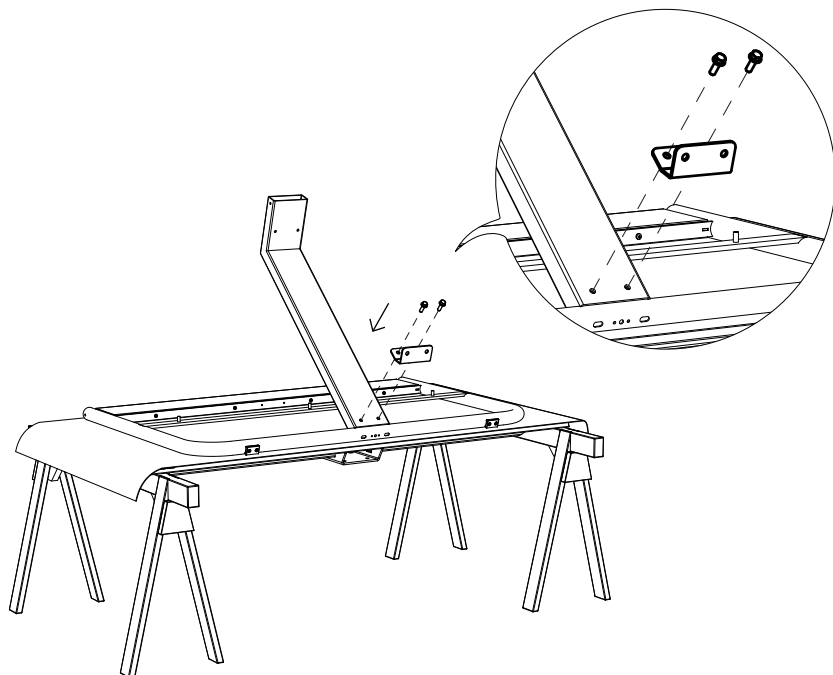

12 Nm
6kg / 13,2lb
MAX!

MNL233



2 x M8x25

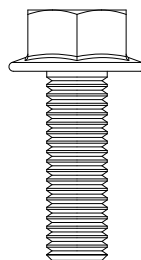
4b. (with floor fastening)



Tighten carefully!
Excessive force may
damage the coating!

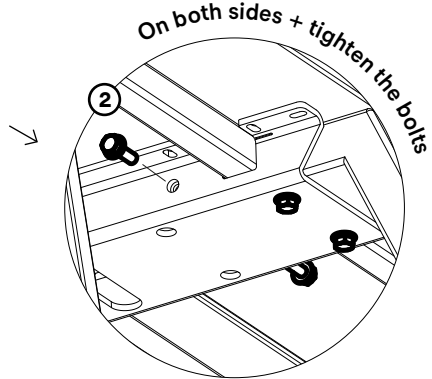
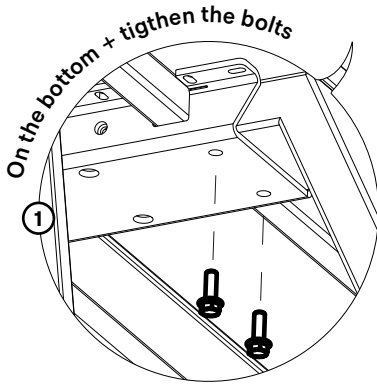
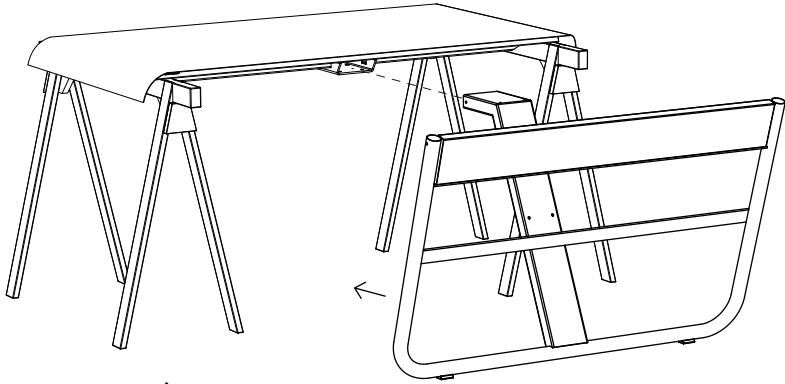

12 Nm
6kg / 13,2lb
MAX!

MNL233



2 x M8x25

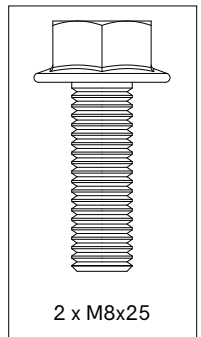
5.



Tighten carefully!
Excessive force may
damage the coating!

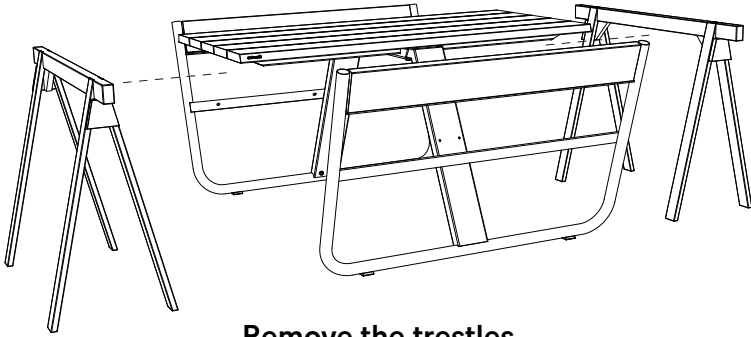

12 Nm
6kg / 13,2lb
MAX!

MNL233



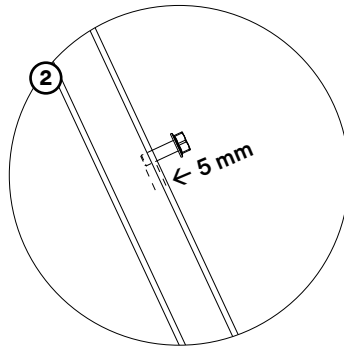
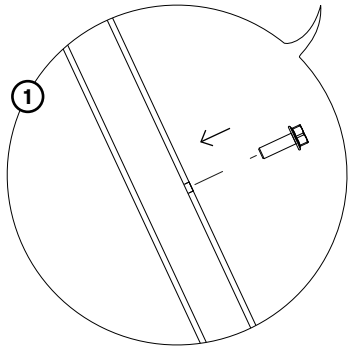
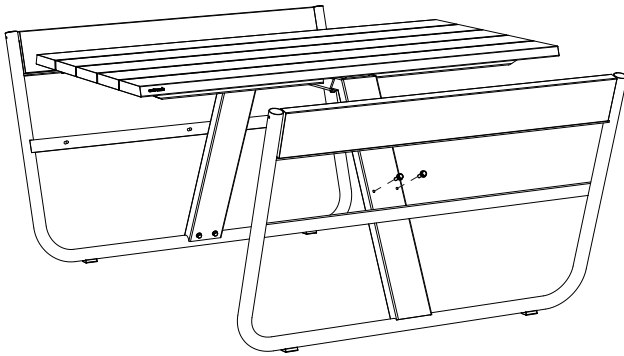
Repeat steps 2 - 5 for the other leg

6.

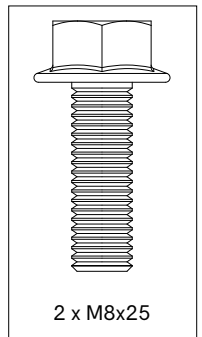


Remove the trestles

7.



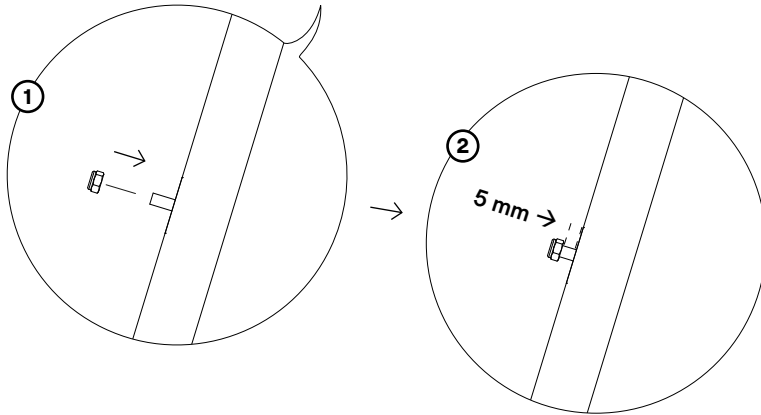
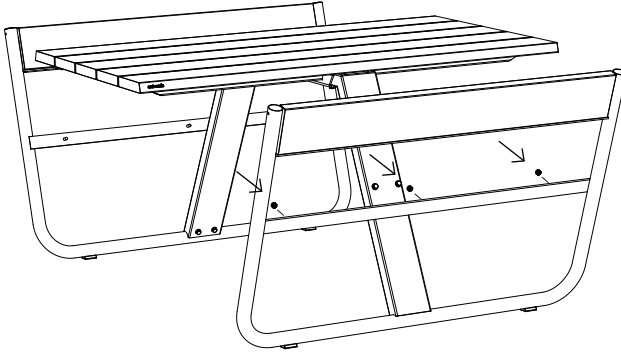
MNL233



2 x M8x25

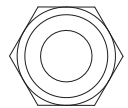
Screw the bolts about 5 mm into the tube

8.



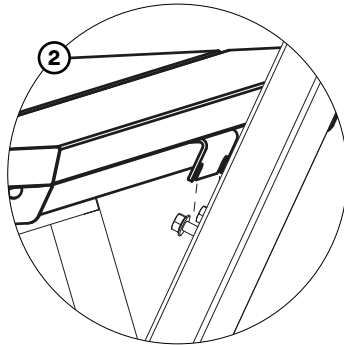
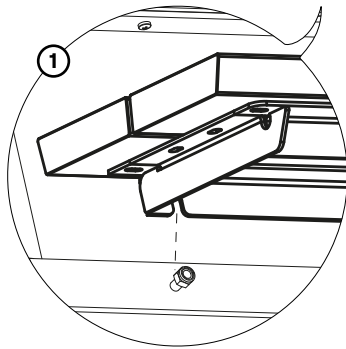
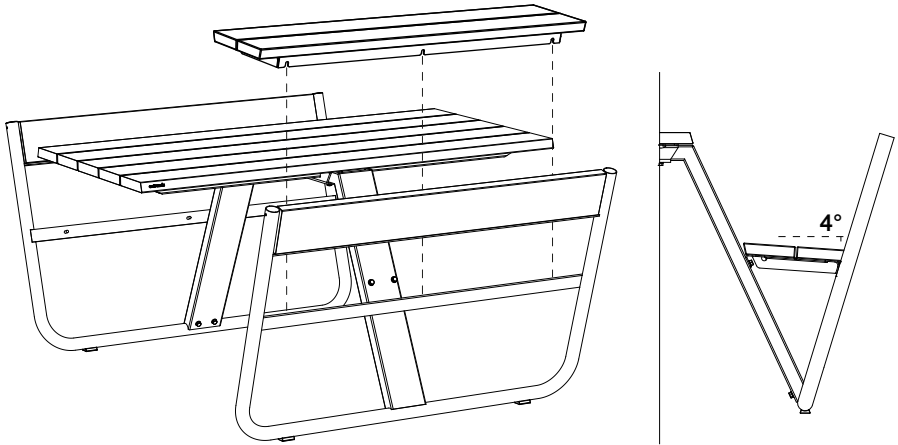
Screw the nuts about 5 mm onto the threads

MNL233



3 x M8

9.

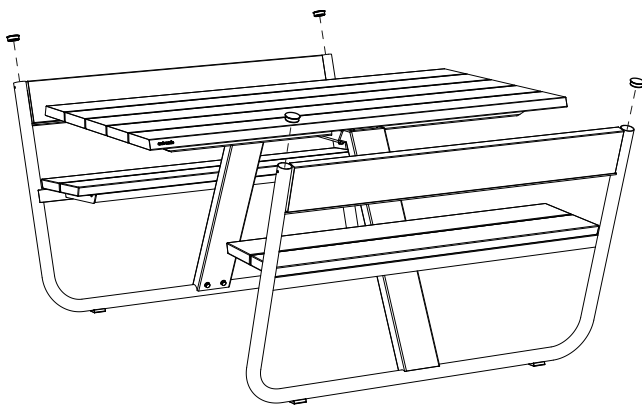
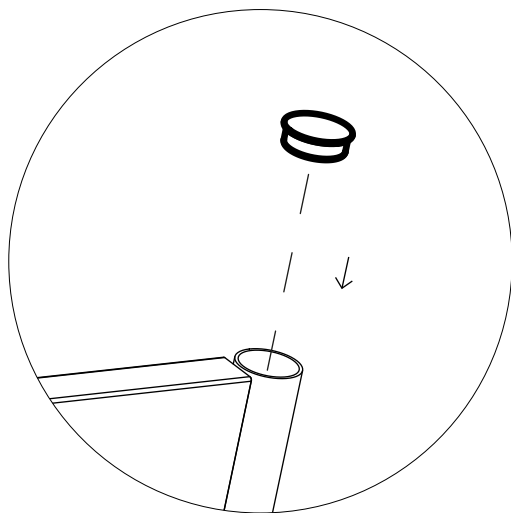


Tighten carefully!
Excessive force may
damage the coating!

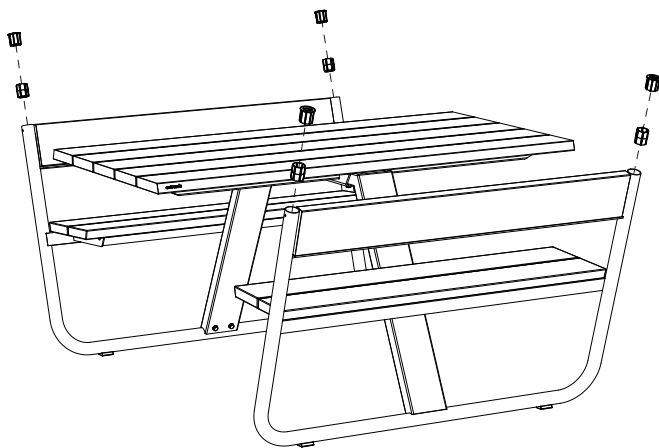
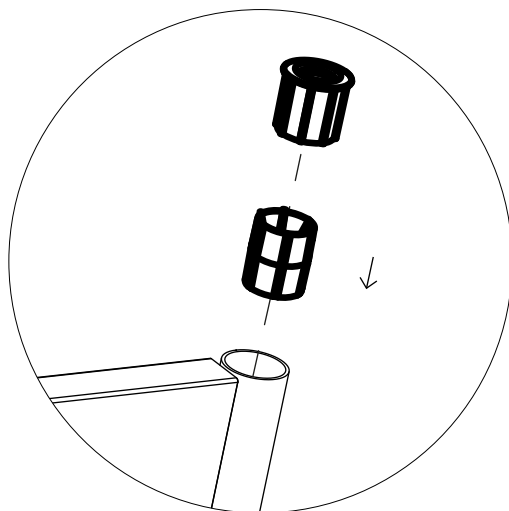

12 Nm
6kg / 13,2lb
MAX!

Slide the bench over the nuts and bolts of steps 7 & 8
Tighten the bolts and nuts
Repeat steps 7 - 9 for the other bench

10a. Without shade

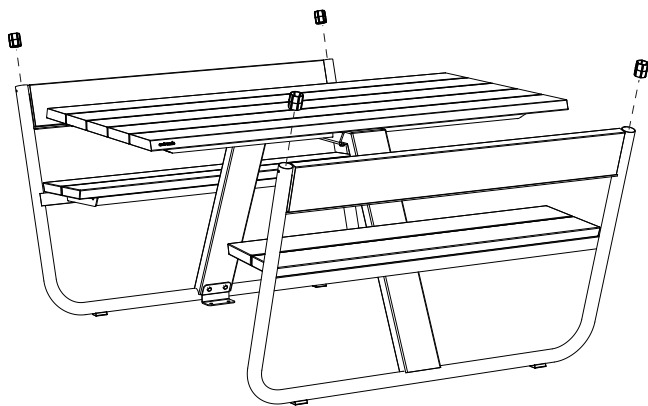
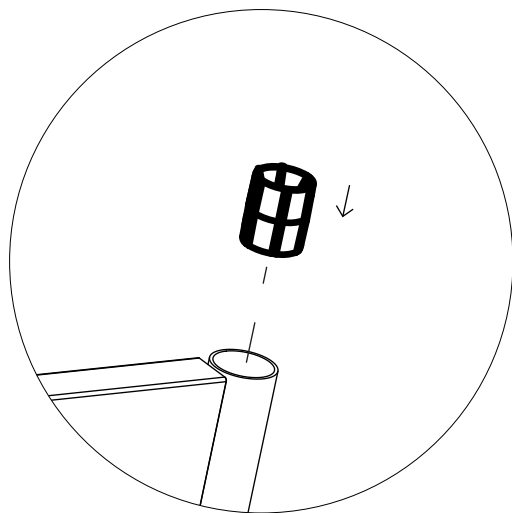


10b. With soft shade



Go to page 21 to continue the assembly of the soft shade ↗

10b. With fixed shade

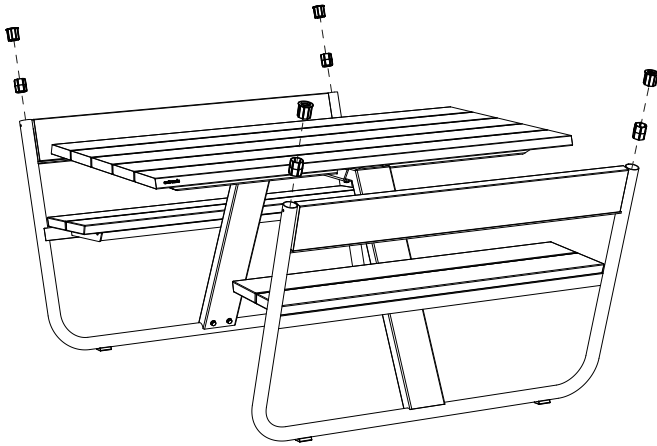
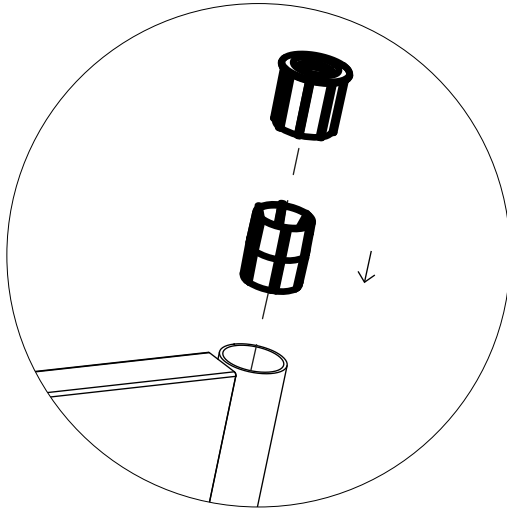


Go to page 25 to continue the assembly of the fixed shade ↗

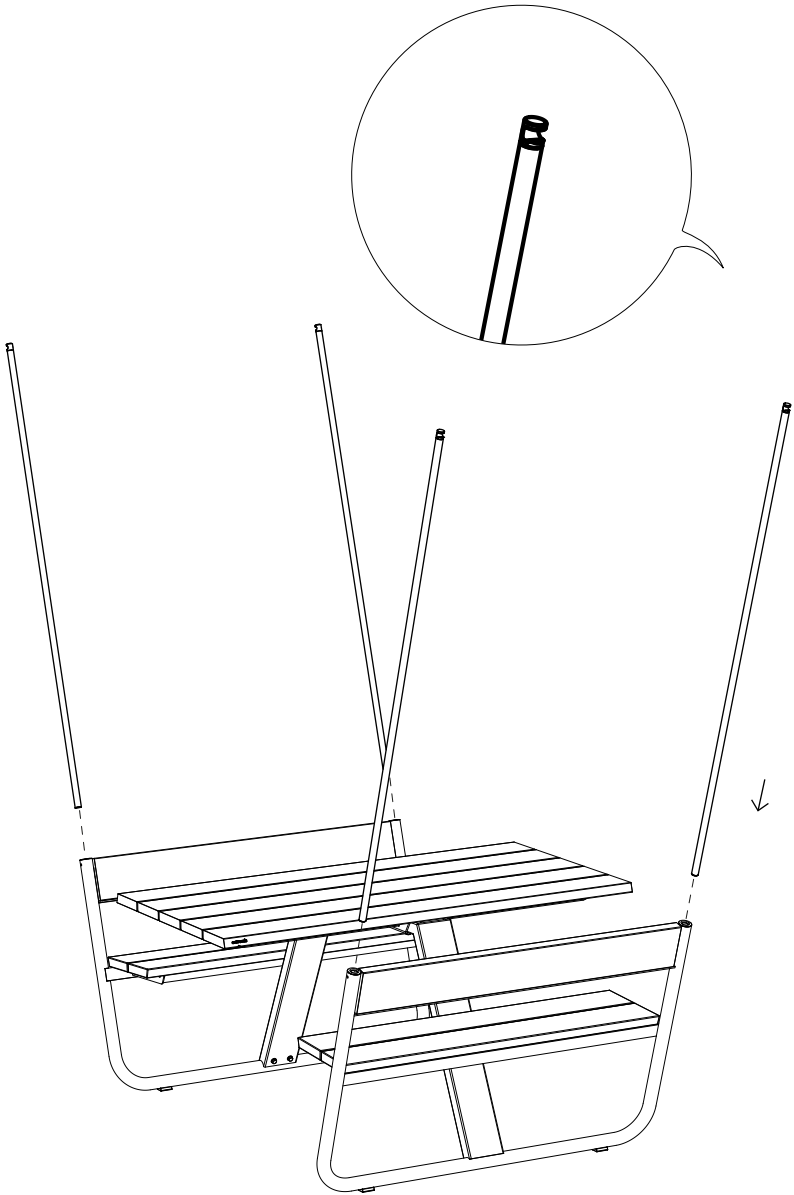
Soft shade

1.

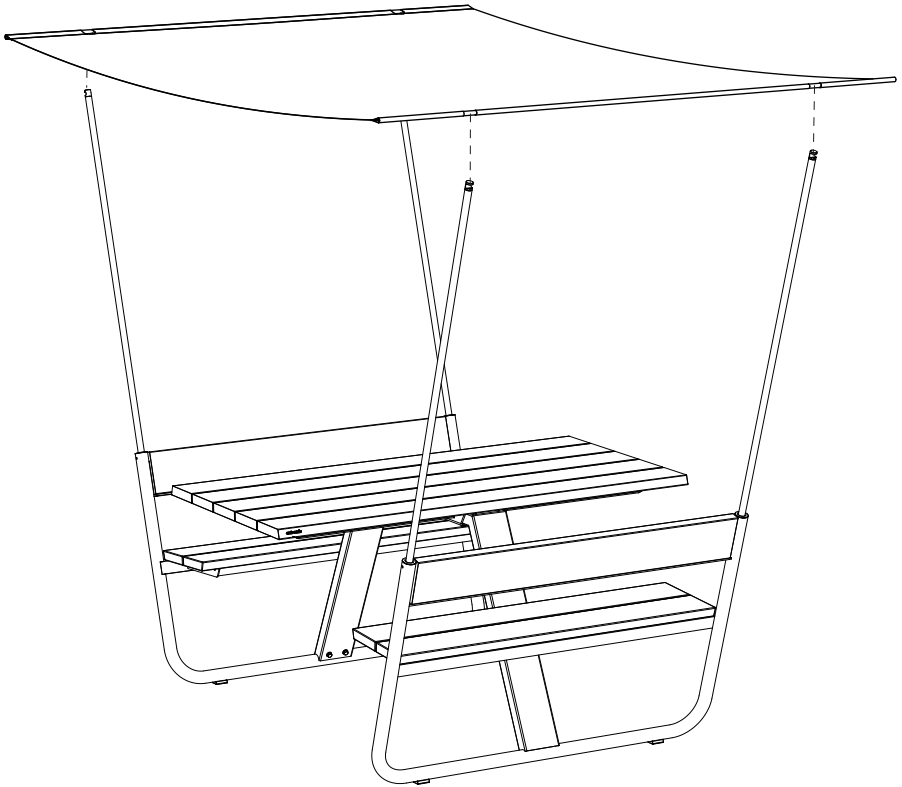
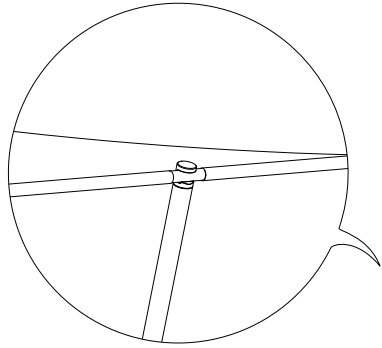
30'



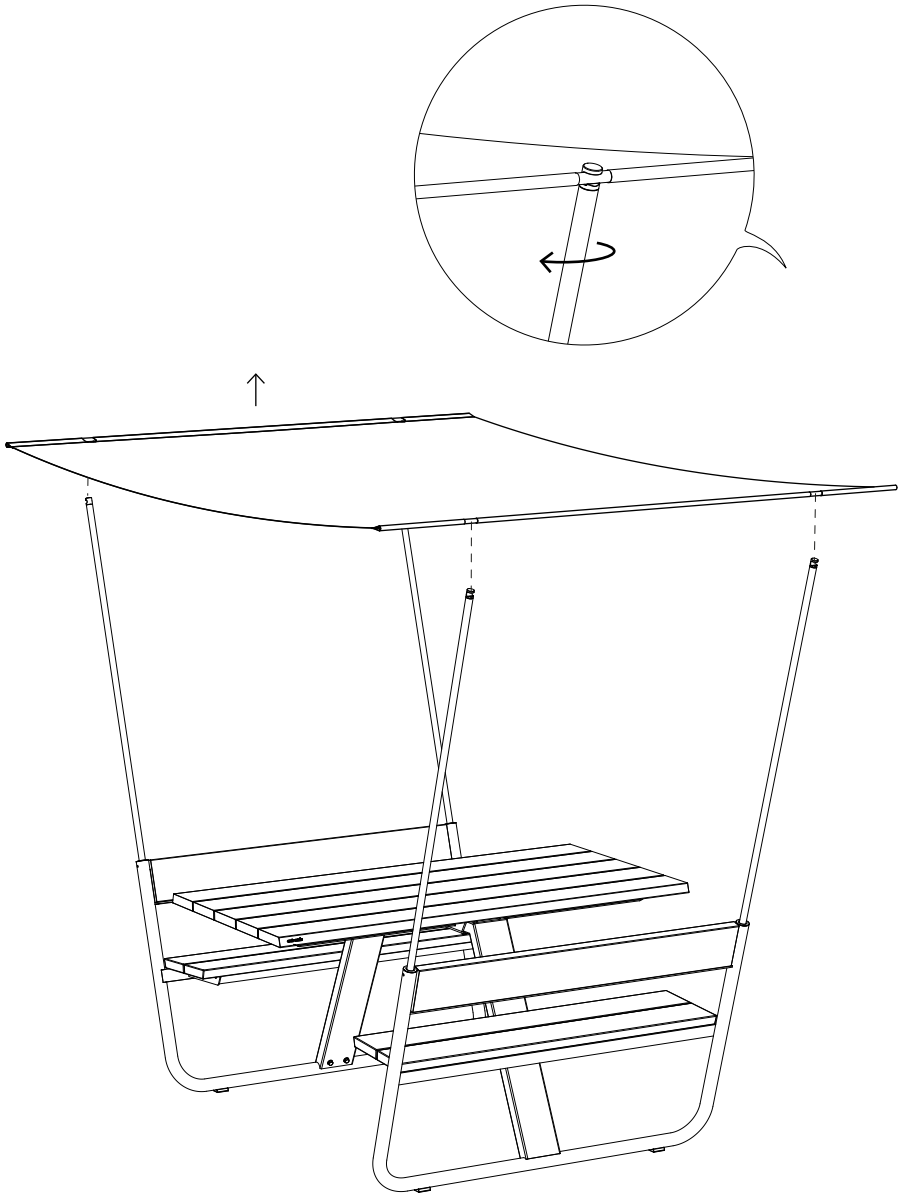
2.



3.



4. Removing the fabric



Turn the tubes 90° to loosen and remove the fabric

Fixed shade

1.

First attach the floor fastening and fix to the surface, see page 13 ↗

N° 13



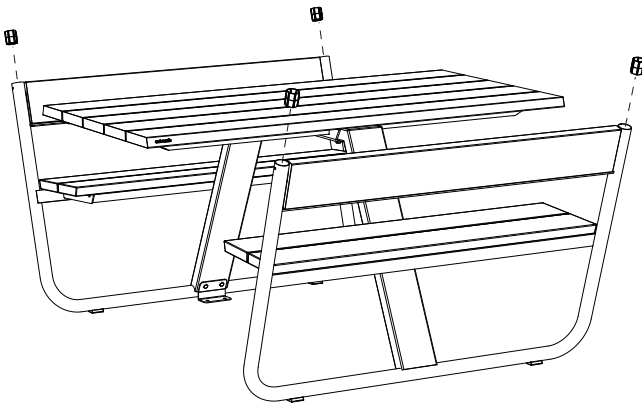
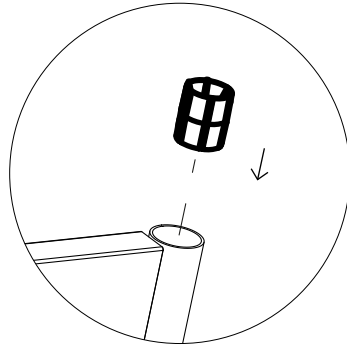
N° 5



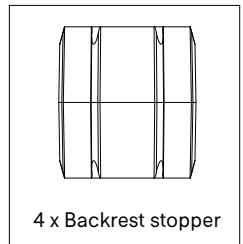
30'



2.

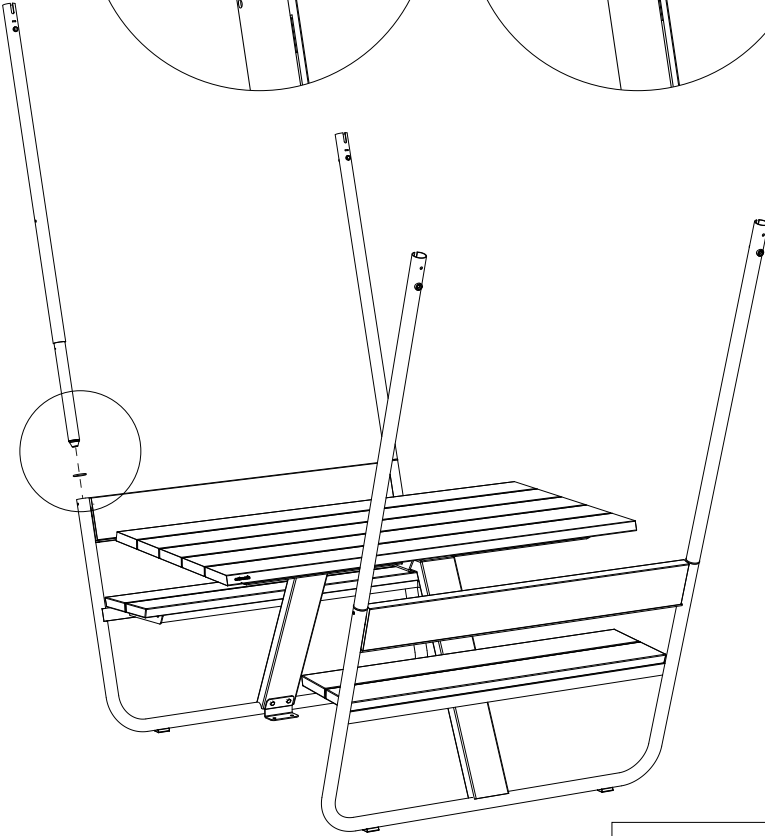
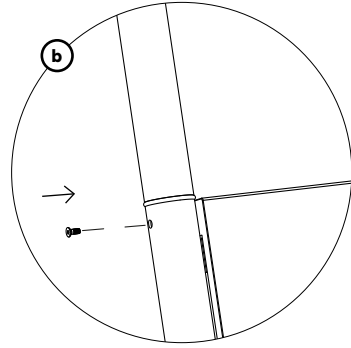
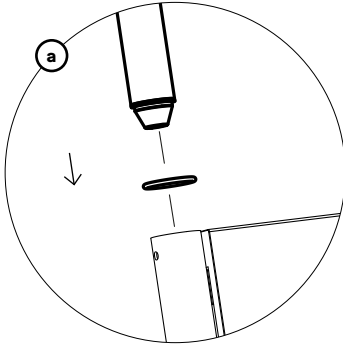


MNL275

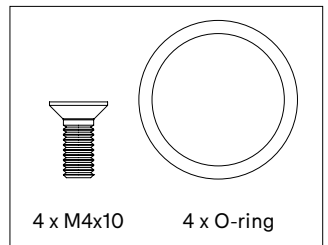


4 x Backrest stopper

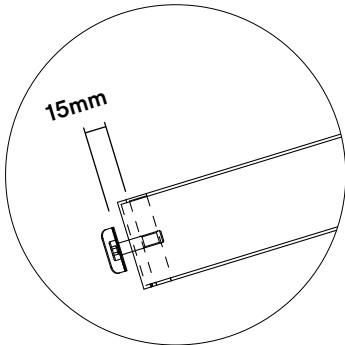
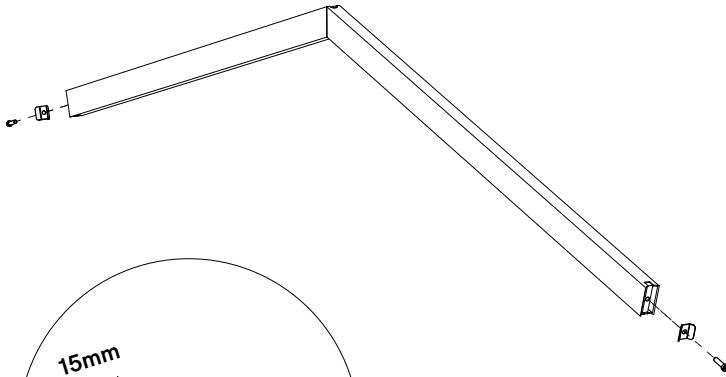
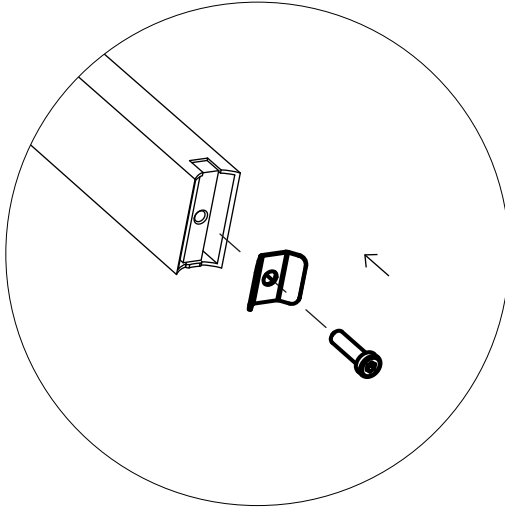
3.



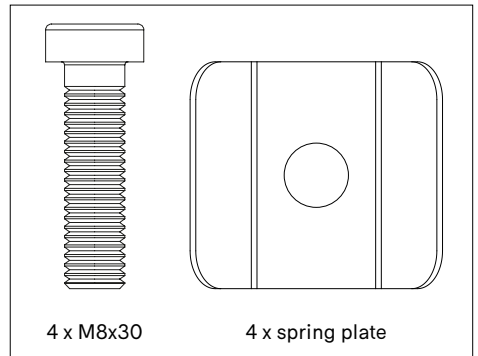
MNL275



4.

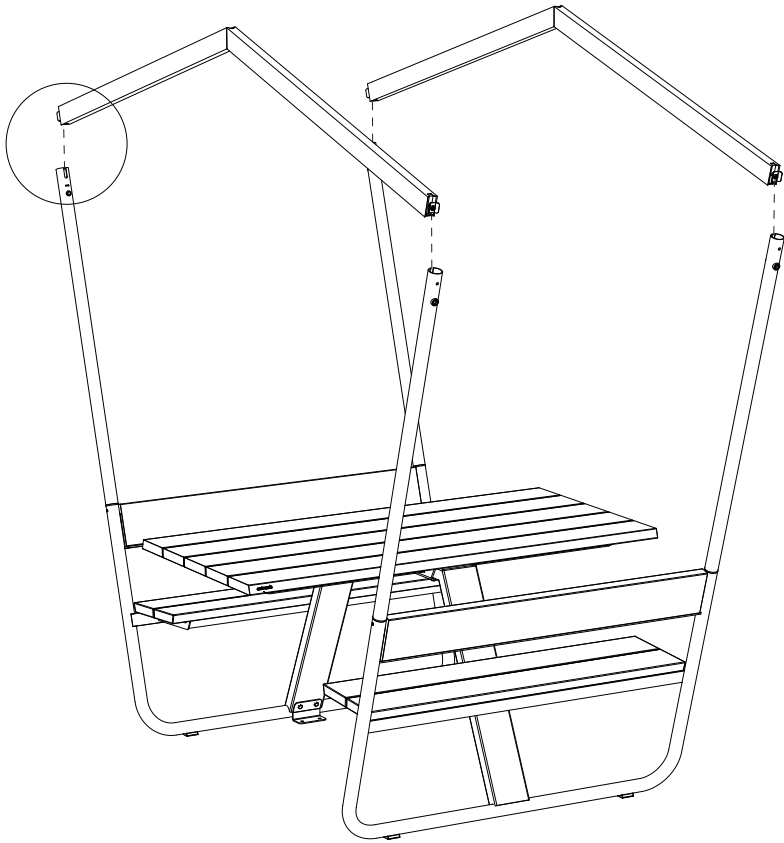
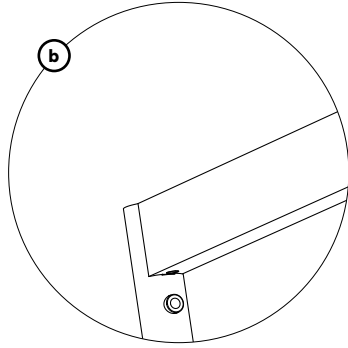
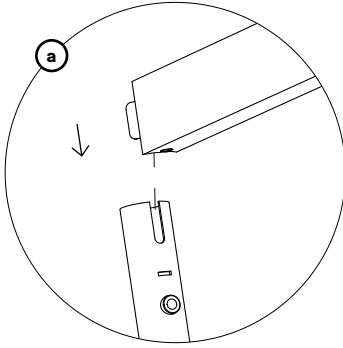


MNL275

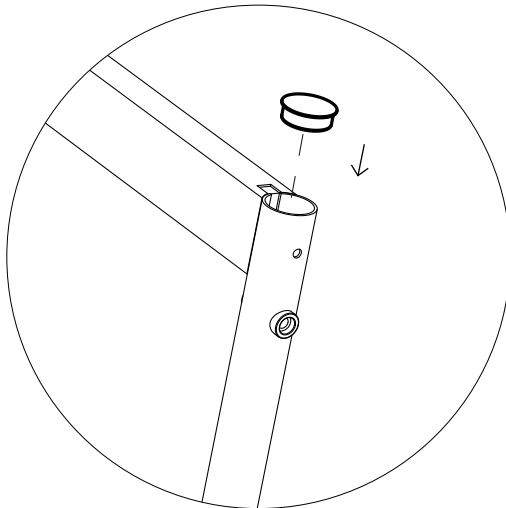
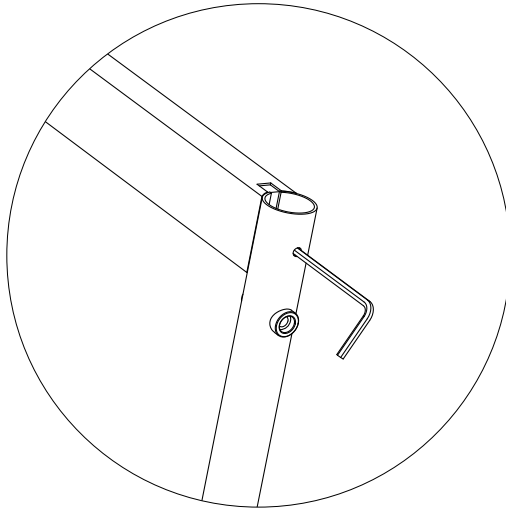


Do this for both profiles

5.

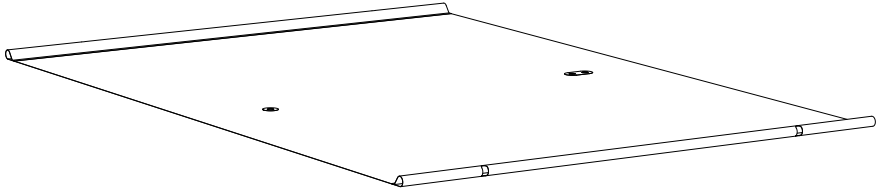


6.



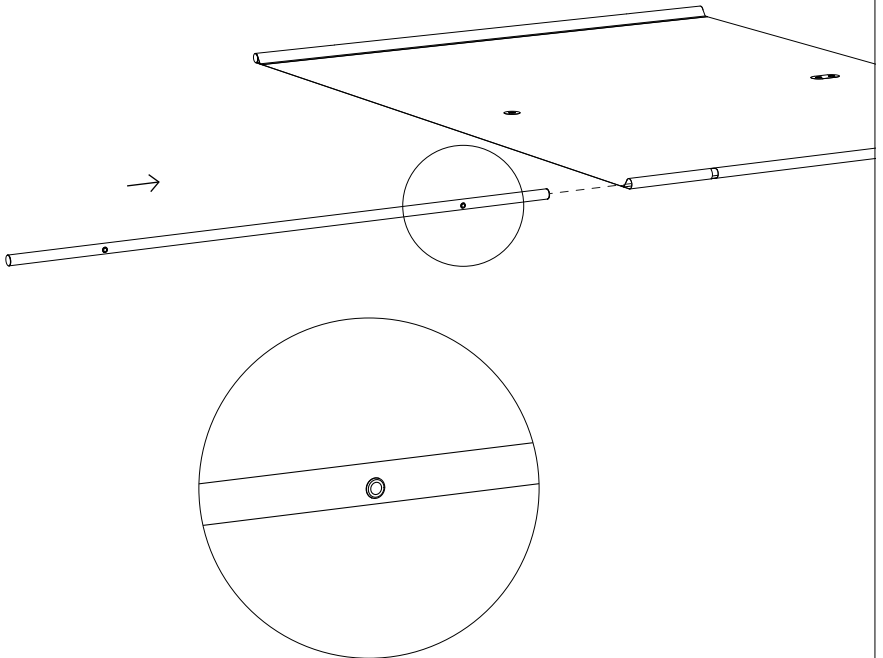
Tighten the bolts on all four corners and insert four caps into the top of the coupling tubes

7a.



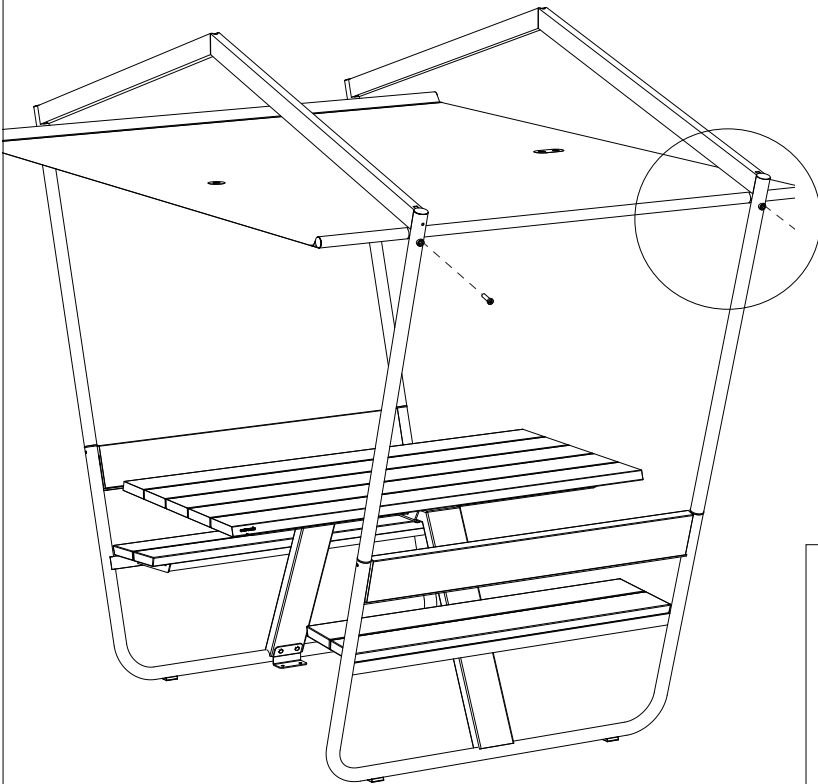
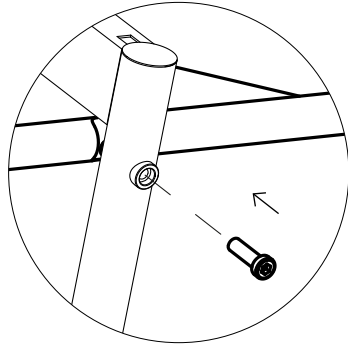
Roll the fabric open on a clean and plain surface with the shiny side facing upwards

7b.

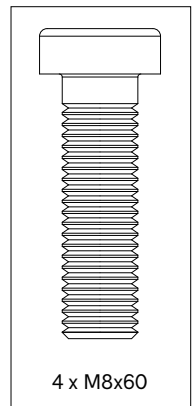


Make sure the holes in the tubes are facing outwards

8.



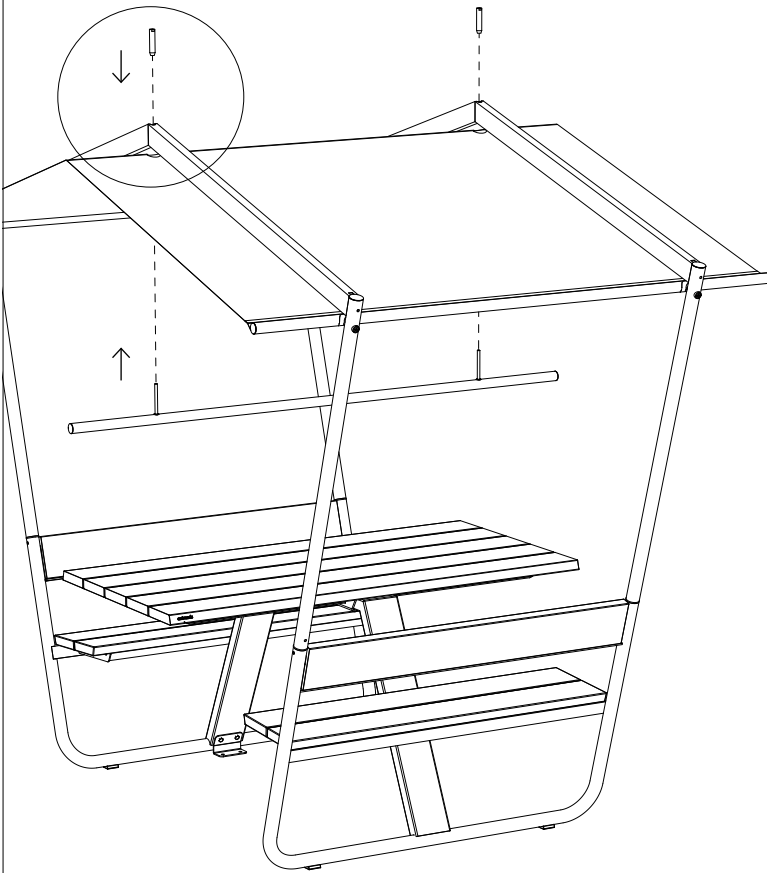
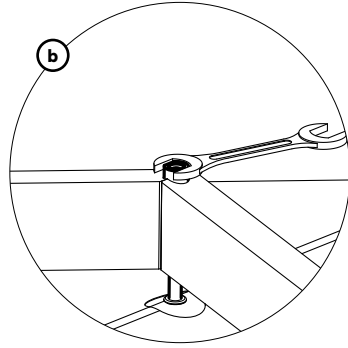
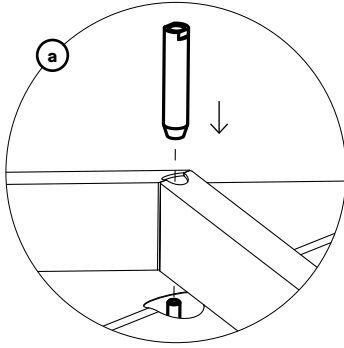
MNL275



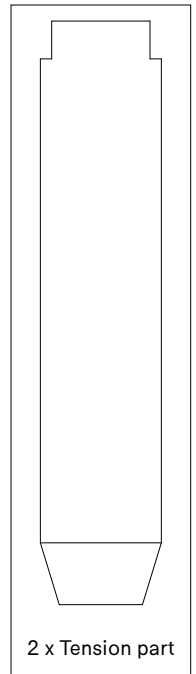
4 x M8x60

Tighten the bolts on all four corners

9.



MNL275



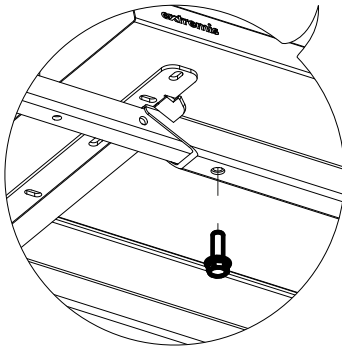
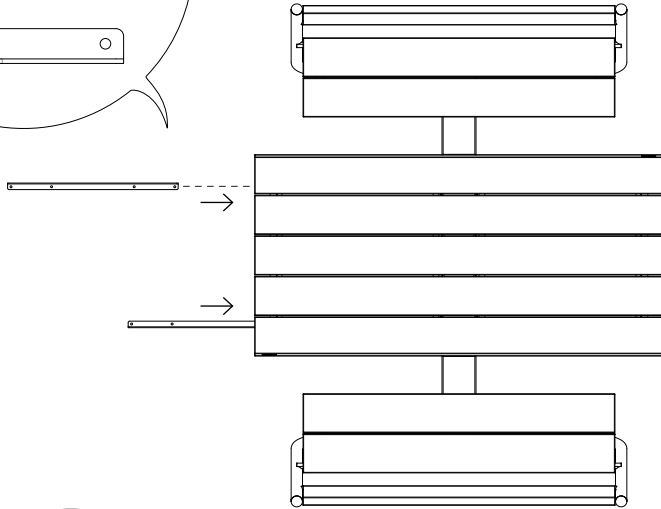
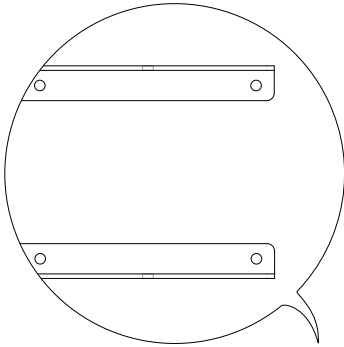
Coupling - Wood

1.

N° 13

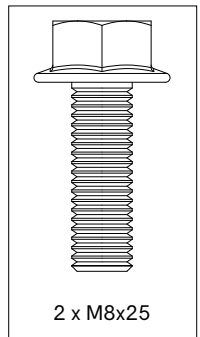


15'



Attach the two coupling profiles into the tabletop frame
Use the first holes in the coupling profiles!

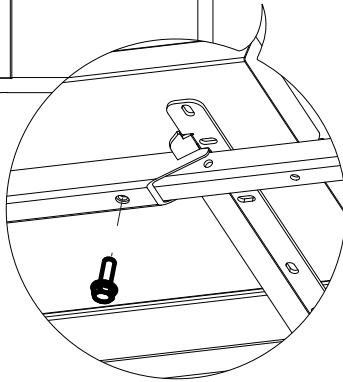
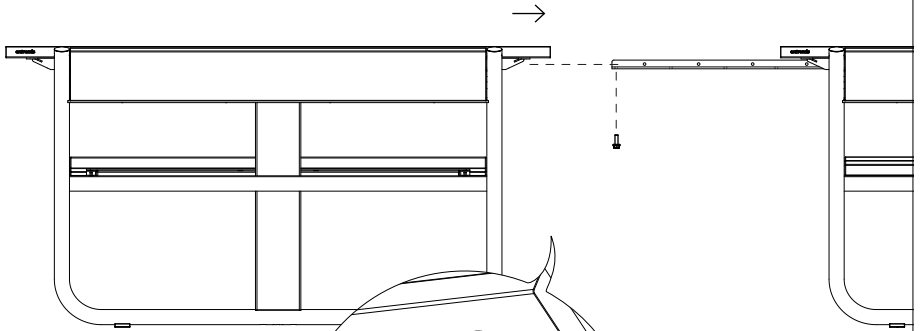
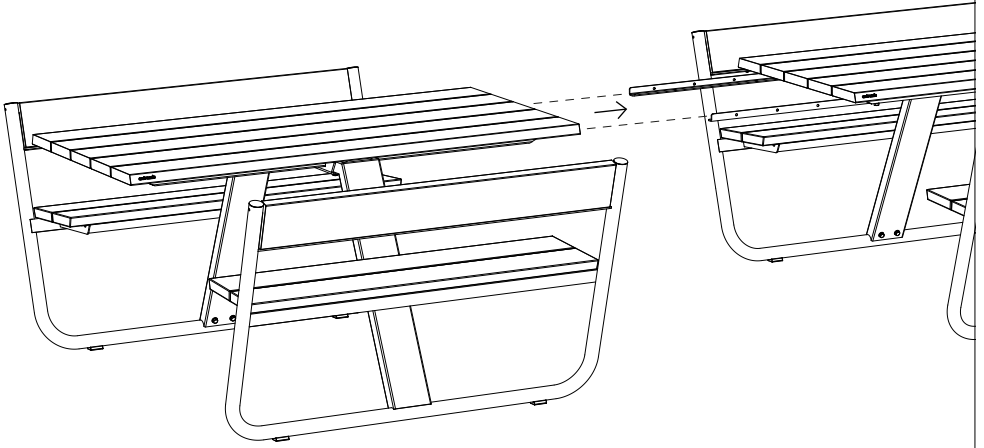
MNL229



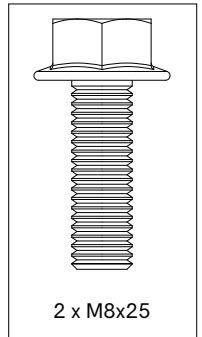
2 x M8x25



2.

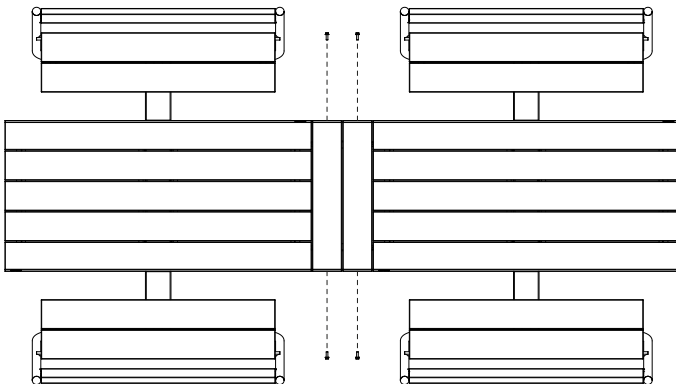
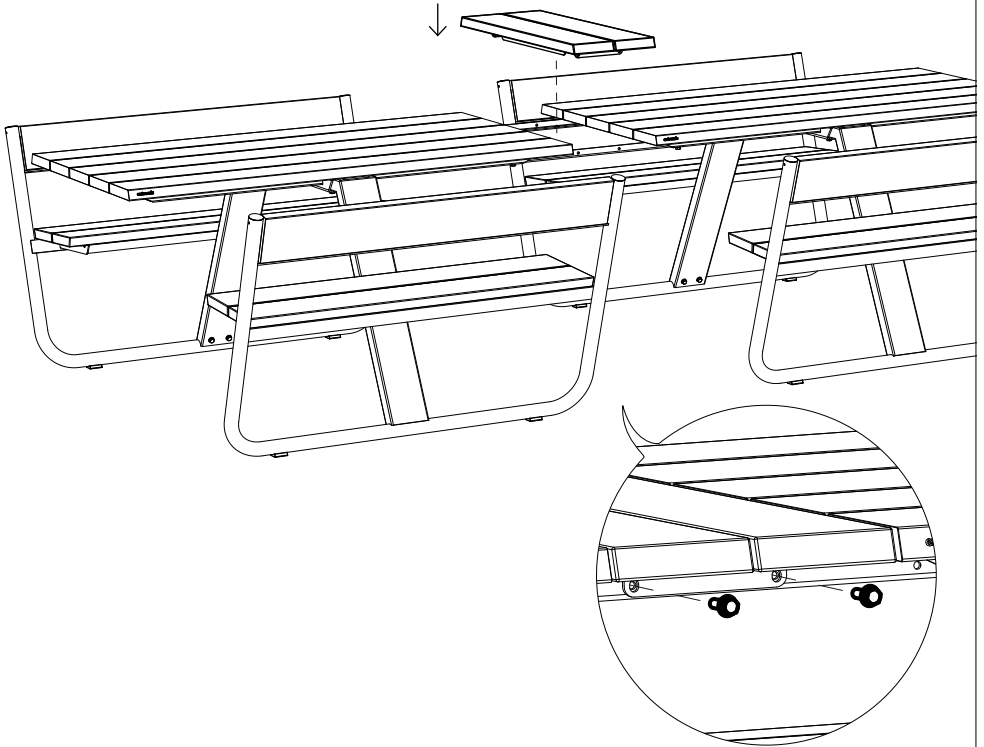


MNL229



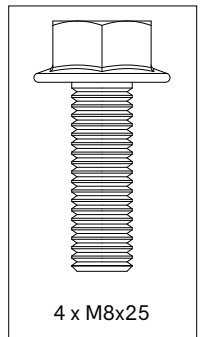
2 x M8x25

3.



Do this on both sides
Repeat step 1 - 3 if you want to connect
another Manille

MNL229



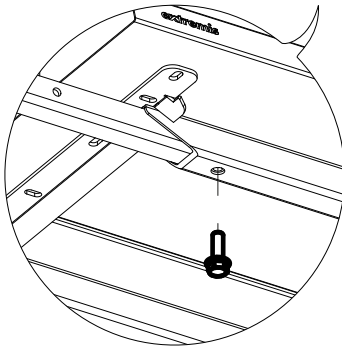
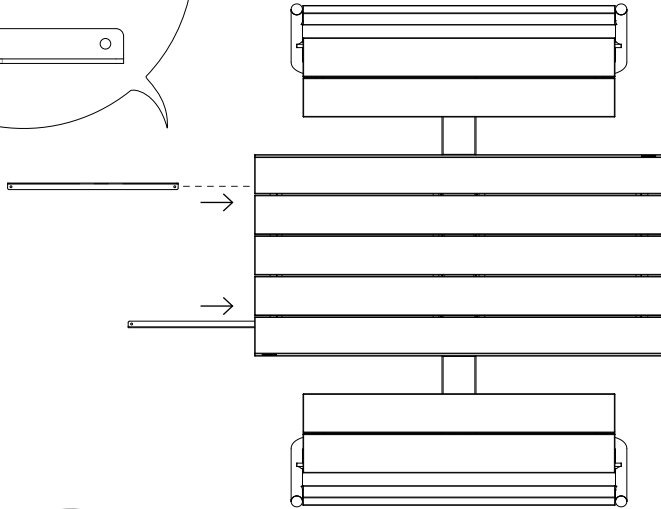
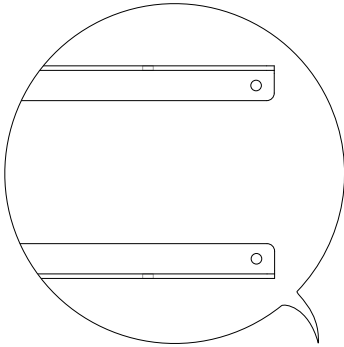
Coupling - Powder coated

1.

N° 13

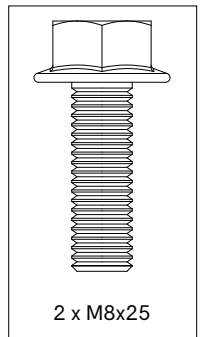


15'



Attach the two coupling profiles into the tabletop frame
Use the first holes in the coupling profiles!

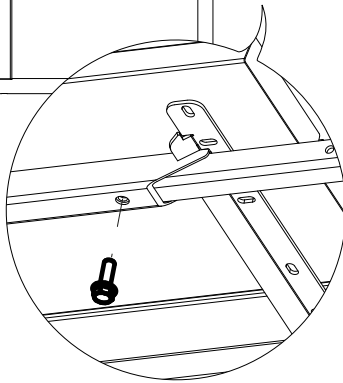
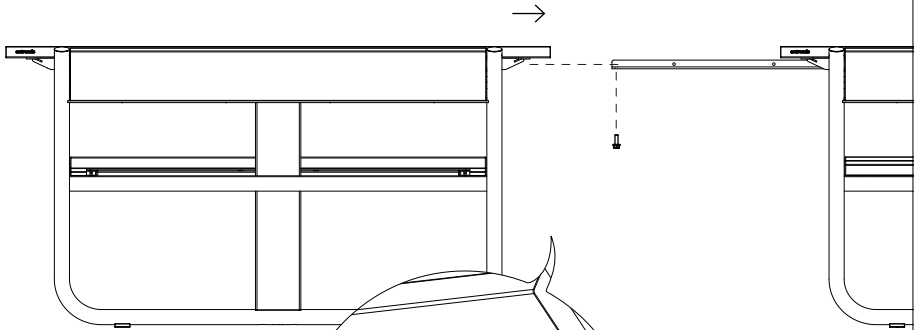
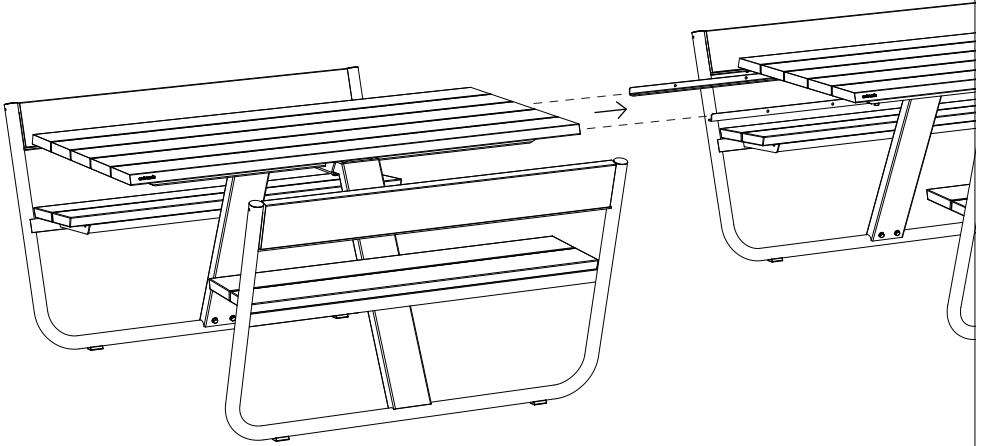
MNL229



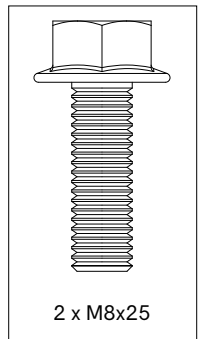
2 x M8x25



2.

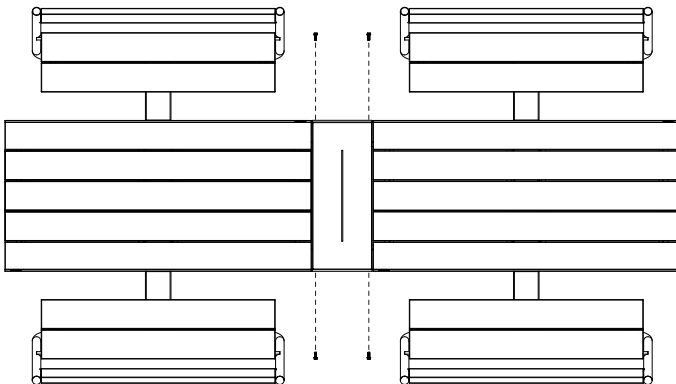
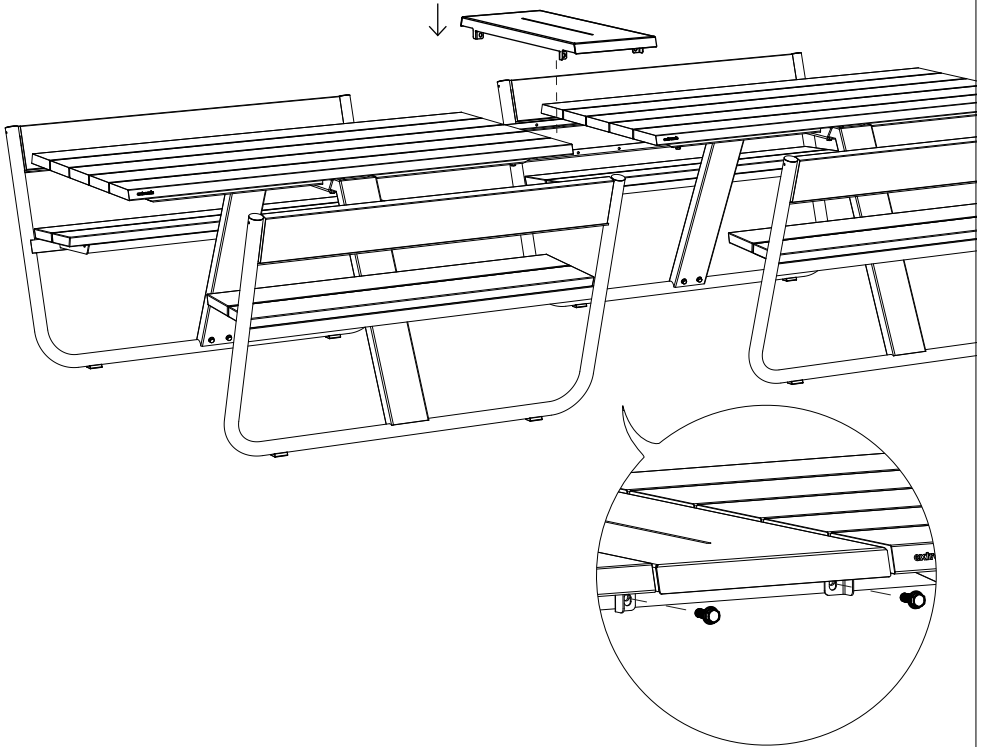


MNL229

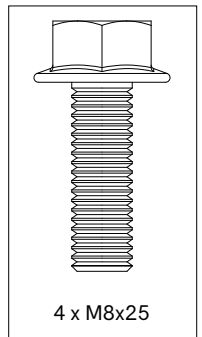


2 x M8x25

3.



MNL229



Do this on both sides
Repeat step 1 - 3 if you want to connect
another Manille

Warnings

Text instructions

Maintenance

Warnings ↗

Assembly text instructions ↗

Maintenance ↗



Warnings

General

- Do not use any sharp tools to open the packaging.
- We strongly advise against using power tools.
- Tripping hazard, mind your step.
- Do not put out cigarettes on the bench.
- Not graffiti proof.
- Do not leave children unattended whilst playing on the bench.
- To avoid danger of suffocation, keep plastic bags away from babies and children.
- Colors can differ over years and from batch to batch.

Product

- Do not stand or jump on the table.
- Do not drag the table, but carry it with minimum 2 people.
- Take shade sail down in case of expected wind speeds more than 6 on the Beaufort scale (40 km/h).
- Open fires, grills, patio heaters and others under or near the shade sails are not permitted.
- Do not leave the shade sail unattended in an assembled condition.
- Be careful during mounting and demounting with open pipe ends because there is a risk of injury.
- Water pockets must be emptied as they form.
- Max. 2 people or 300 kg per bench.

Wood

- When delivered, the wood is untreated.
- Wood is a natural material and its look is different for every slat, plank and tree.
- Wood will gradually become rougher and start to turn grey as a consequence of exposure to the sun and rain. We recommend oiling



the wood once or twice a year. 1x before the Summer and 1x after the Summer as protection for the Winter.

- Cleaning regularly with mild detergent. Never use a high pressure cleaner as this will roughen the wood's smooth surface and irreparably damage the wood's fibress.
- Thorough cleaning with Extremis Wood Cleaner.
- We strongly recommend that you treat your wood with wood oil to protect it from stains - Small cracks and crevices can also appear as part of this process. We strongly advise everyone to treat the furniture with our Wood Protector. It is best to repeat this treatment each year.

Powder coating

- White powder coating requires more maintenance.
- Do not use abrasive scouring powders or scourers as they will scratch the surface.
- Color can fade to some extent when exposed to UV.
- Flame retarding - NEN-EN13501-1 A2-sI - Satisfying the same criteria as Class B for the SBI-test according to EN13823. In addition, under conditions of a fully developed fire these products will not significantly contribute to the fire load and fire growth.
- Dark colors can get very hot in sunny weather.

Galvanized steel

- Galvanization will become less shiny when used outdoors.
- Flame retarding - NEN-EN13501-1 A1 - Class A1 products will not contribute to fire in any stage, including fully developed fire. For this reason, they are assumed to be capable of satisfying all requirements of all lower classes as well.
- Possible impurities in the immersion tank can cause black marks during galvanization, which are intrinsic to this industrial finishing technique.
- White marks on this zinc layer are also intrinsic to this procedure and



will disappear when the furniture is put outdoors.

- This industrial finishing technique may result in a rougher surface. This is intrinsic to the process.

High-tech polyester / Glamping tent fabric

- Shake or brush off loose dirt immediately.
- Do not use any aggressive detergents as they will remove the protective coating of the fabric.
- We strongly advise you not to use a high-pressure hose for cleaning.

Stainless steel

- Very good UV color fastness.
- Flame retarding: NEN-EN13501-1 A1 - Class A1 products will not contribute to fire in any stage, including fully developed fire. For this reason, they are assumed to be capable of satisfying all requirements of all lower classes as well.
- Watch out, stainless steel isn't entirely rustproof! Be sure to avoid contact with iron objects. If it does show signs of rust, clean with rust remover as quickly as possible.



Assembly text instructions



Take a look at the drawings, starting from page 10

Manille (p10)

- Put the tabletop on the trestles. Attention: make sure only the wood rests on the trestles, not the frame!
 - Place the protective foil of the packaging on top of the tabletop.
- Put one backrest on the protective foil with the leg connection facing upwards.
- Slide the leg into the backrest as shown in the diagram.
- Attach the leg to the backrest by inserting two M8x25 bolts.
 - With floor fastening** Position the floor fastening to the leg as shown in the diagram and attach it by inserting two M8x25 bolts.
- Slide the leg (with backrest) into the tabletop frame. First insert two M8x25 bolts into the bottom and tighten them, then insert the two bolts from the sides as shown in the diagram. Now repeat steps 2 - 5 for the other leg.
- Remove the trestles.
- Now screw two M8x25 bolts about 5mm into the tube of the leg.
- Now screw three M8 nuts about 5mm into the threaded rods as shown in the diagram.
- Slide the bench over the nuts and bolts of steps 7 & 8 as shown in the diagram. Tighten all bolts and nuts. Repeat steps 7 - 9 for the other bench.
- Now insert four caps into the backrests.
 - With soft shade** Now insert four spacers and closure caps into the



backrests as shown in the diagram.

c. With fixed shade Now insert four spacers into the backrests as shown in the diagram.

Soft shade (p21)

1. Insert the four stainless steel tubes into the backrest.
2. Hook the shade onto the top of the stainless steel tubes.
3. Removing the fabric: Turn the tubes 90° to loosen and remove the fabric.

Fixed shade (p25)

1. First of all, attach the floor fastening and fix Manille to your desired surface.
2. Insert four spacers into the backrests, one in each backrest.
3. Slide one rubber O-ring on each coupling tube and place the four coupling tubes into the backrest of the Manille. Make sure that the slot at the top of the coupling tubes is facing inwards. Now fix the coupling tubes to the backrest using one M4x10 bolt each (apply some Loctite to the bolts).
4. Now take the two top tubes and attach a spring plate to each end using one M8x30 bolt (apply some Loctite to the bolts). Make sure there is about 15 mm space between each spring plate and the top tube.
5. Then slide the top tubes onto the coupling tubes. Make sure that the spring plate slides into the coupling tubes. Push the top tubes down until the bolts meet the end of the slots in the coupling tubes.
6. Now attach the upper tubes by tightening the M8x30 bolts of the spring plates and insert four caps into the top of the coupling tubes.
7. **a.** Take the fabric and roll it open on a clean and plain surface with the shiny side facing upwards.
b. Slide a fabric tube into the loop on both sides. Attention: Make sure the holes in the tubes are facing outwards, through the holes of the fabric.



8. Next, attach the fabric tubes to the coupling tubes using four M8x60 bolts (apply some Loctite to the bolts). Attention: Make sure the shiny side of the fabric is facing upwards.
9. **a.** Finally, tension the fabric by attaching the fabric tube with threaded rods to the upper tubes by means of two tension parts.
b. Tighten the tensioners with a socket wrench 13 until the fabric is nicely under tension.

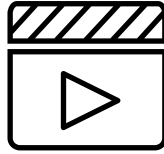
Coupling - Wood (p33)

1. Attach the two coupling profiles into the tabletop frame by inserting one M8x25 bolt per profile on the bottom. Use the first holes in the coupling profiles as show in the diagram.
2. Position the second Manille table to the coupling profiles and attach them by inserting one M8x25 bolt per profile on the bottom as shown in the diagram.
3. Now position the wooden coupling tabletop onto the coupling profiles and attach it by inserting two M8x25 bolts on both sides.
4. Repeat steps 1 - 3 if you want to connect another Manille table.

Coupling - Powder coated (p36)

1. Attach the two coupling profiles into the tabletop frame by inserting one M8x25 bolt per profile on the bottom. Use the first holes in the coupling profiles as show in the diagram.
2. Position the second Manille table to the coupling profiles and attach them by inserting one M8x25 bolt per profile on the bottom as shown in the diagram.
3. Now position the powder coated coupling tabletop onto the coupling profiles and attach it by inserting two M8x25 bolts on both sides.
4. Repeat steps 1 - 3 if you want to connect another Manille table.





Watch the maintenance videos on our website:

www.extremis.com/maintenance

Wood

OILING

Twice a year

Before first use and/or after cleaning and sanding, we strongly recommend treating the wood with Extremis Wood Protector to protect it from dirt, moisture and UV rays.

DAY TO DAY CLEANING

Regularly and after every use

Schedule regular maintenance to prolong the life of your garden furniture. Regular maintenance ensures that the furniture always looks its best.

Cleaning the wood regularly and immediately after use with a clean, damp cloth ensures that liquids cannot penetrate deep into the wood. A well oiled table is less likely to absorb liquids and thus stays cleaner for longer. To remove stubborn dirt, simply use a hard brush and some water. Be careful not to cause permanent damage to the fibres. For this reason, you should never, ever use a high-pressure washer for cleaning wood.

THOROUGH CLEANING

Twice a year

It is essential to clean the wood thoroughly twice a year. We recommend



doing this just before spring and after summer if your furniture is outside all the year round. Pick one of those humid, cloudy days, as it is better for the moisture level in the wood to dry out slowly after cleaning.

SANDING WOOD

Every 2 years

After a few years, your wood will show cracks and perhaps some distortion. This is perfectly normal as wood is a natural and living material. The great advantage of solid wood is that you can sand away the top layer to make the surface even and smooth again. You should do this every two years using a hand sanding machine. Choose a dry day. Finish off with a 120-grit sandpaper.

Powder coating

CLEANING

Regularly

Use Extremis Multicleaner, a 100% biodegradable detergent or common kitchen cleaning products. Avoid using aggressive products. These surfaces are best cleaned with a neutral cleaning product diluted in water.

REPAIRING DAMAGED POWDER COATING

When damaged

The impact of sharp objects can damage the coating. Scratches or dents can be touched up with our paint pens. However this only camouflages the scratches without removing them.

Galvanized steel

CLEANING

When dirty

Clean with lukewarm water and a brush.



REPARING DAMAGED PARTS WITH ZINC SPRAY

When damaged

Hot dip galvanization is the most durable way of protecting metal against rusting. If the zinc coating is damaged, the exposed metal can rust. This can easily be touched up with zinc paint that automatically has the same colour and is readily available in shops. Zinc spray forms a quick drying, self healing and flexible coating that helps stop corrosion.

High-tech polyester / Glamping tent fabric

CLEANING

When dirty

Use an Extremis brush and Extremis multi cleaner, a 100% biodegradable detergent, or detergents you also use to clean your kitchen. What if the stain has still not completely disappeared after you have done this? Don't panic. The stain will fade away almost completely in the sunlight.

Stainless steel

DAY TO DAY CLEANING

Regularly and after every use

Clean with lukewarm water and a mild detergent or Extremis Multi Cleaner.

REGULAR CLEANING

When dirty

We advise regular cleaning with Inox Cleaner and Protector.





Our headquarters:
Couthoflaan 20b
B-8972, Poperinge
info@extremis.com
+ 32 57 346020

extremis.com

Connect with us



All rights reserved. Unless otherwise specified, all designs and photographs contained in this publication are copyright protected and are the property of Extremis. No part of this publication may be copied or distributed without Extremis' prior written consent. The names of the authors of photographs to which we do not hold rights are mentioned here. We have done our utmost to provide a comprehensive list of names. In the event of an alleged breach, please contact the editorial staff. © Extremis

LAB192-1