

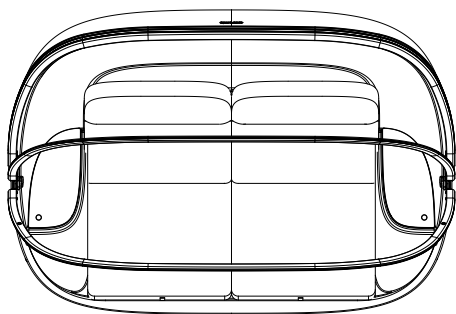
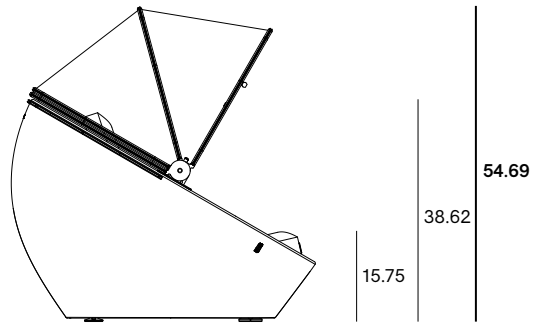
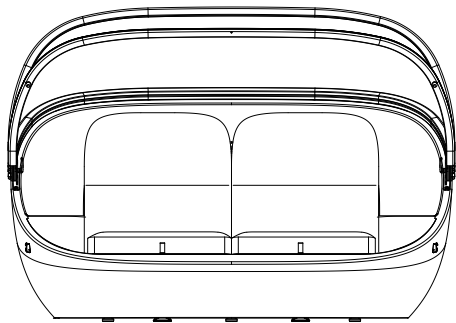
Cabrio

© Design by Dirk Wynants for Extremis, 2025



Dimensions

Cabrio with cover



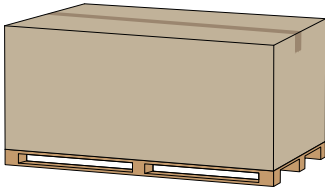
25.00

76.70

77.64

Box dimensions

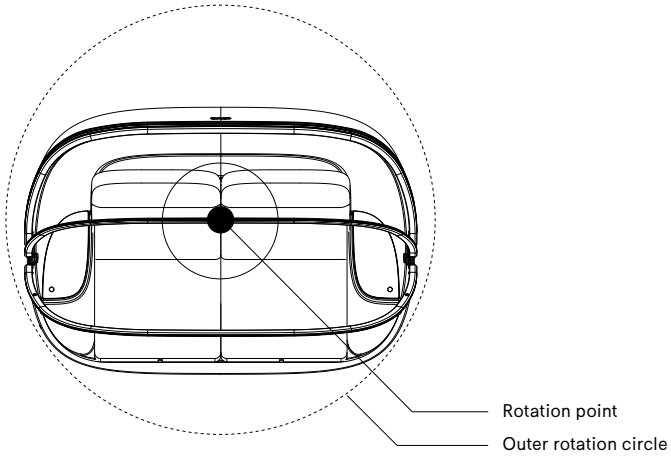
Box 1: Sofa + cushions + soft top (optional)



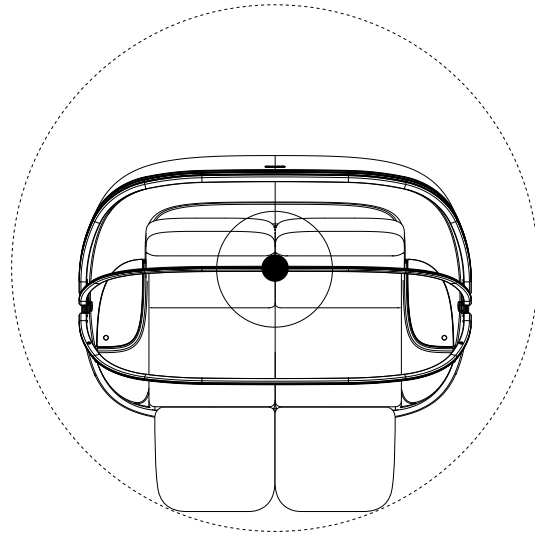
The Cabrio sofa, the cushions and the optional soft top come in 1 box

Box dimensions (inch)		L	W	H	Qty	Volume (ft ³)	Gross weight (lb)	Net weight (lb)	Packaging weight (lb)
Sofa + cushions	Box 1	80.71	57.10	54.13	1	144.47	262	184.8	77
Sofa with soft top + cushions	Box 1	80.71	57.10	54.13	1	144.47	288.2	211.2	77

Rotating Cabrio towards the desired panorama



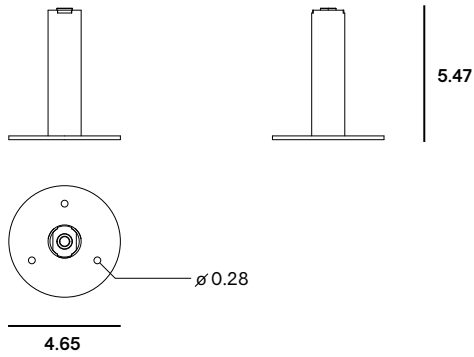
∅ 83.86



∅ 102.68

Rotation pole / floor fastening

The rotation pole / floor fastening is available in one dimension



Box dimensions

The rotation pole / floor fastening comes in 1 box

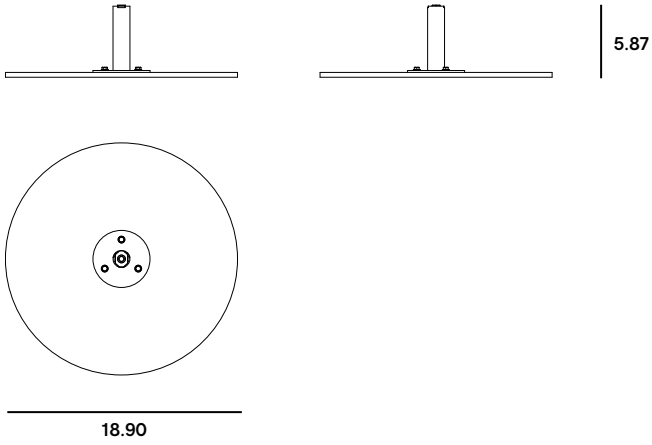
Box 1: Rotation pole



Box dimensions (inch)		L	W	H	Qty	Volume (ft ³)	Gross weight (lb)	Net weight (lb)	Packaging weight (lb)
Rotation pole / floor fastening	Box 1	6.3	4.72	4.33	1	0.353	3.3	2.2	1.1

Rotation pole + weight (wheels only)

The rotation pole + weight is available in one dimension



Box dimensions

The rotation pole + weight comes in 2 boxes

Box 1: Rotation pole



Box 2: Weight



Box dimensions (inch)		L	W	H	Qty	Volume (ft ³)	Gross weight (lb)	Net weight (lb)	Packaging weight (lb)
Rotation pole / floor fastening	Box 1	6.3	4.72	4.33	1	0.075	3.3	2.2	1.1
Weight	Box 2	19.69	19.69	0.79	1	0.177	35.2	33	2.2
Total:						0,252	38.5	35.2	3.3



Materials	Key facts	Thickness	Layer thickness	Density	In/outdoor	Water	UV color fastness	Flame retarding
		mm	micron					
Polyethylene shell	<ul style="list-style-type: none"> Rotation moulded 100% recyclable Easy to maintain 	0.28 - 0.31	n.a.	0,56 lbs/ft ³	Outdoor & indoor	n.a.	Very good	DIN 4102-B2/M1 *
Hot dip galvanized steel floor plates	<ul style="list-style-type: none"> Most durable method for protecting metal from rusting Protective layer Very long life span 100% recyclable Cradle to Cradle Certified™ 	0.08 - 0.24	50 - 100	1,50 10 ³ lb/ft ³	Outdoor & indoor	n.a.	Very good, galvanization will however become less shiny when used outdoors	NEN-EN13501-1 A1 **
Structured powder coated aluminium sidetables, seat and footrest plates	<ul style="list-style-type: none"> A technique of applying dry paint to a part Electrostatically charged and sprayed onto the object More scratch-resistant than non structured powder-coating 	0.08 - 0.16	50 - 100	0,60 10 ³ lb/ft ³	Outdoor & indoor	n.a.	Very good: color can fade to some extent when exposed to UV	NEN-EN13501-1 A2-s1 ***
Sunbrella® cushions	<ul style="list-style-type: none"> 100% Sunbrella Acrylic Best outdoor fabric available for making marine tops Dirt repellent Water tight Mold resistant and easy to maintain thanks to its protective layer 	0,02	n.a.	9.17 oz/ft ²	Outdoor & indoor	Water column of 13.78 inch (EN 20811)	7/8 (ISO 105-B02)	/
Sunbrella® soft top	<ul style="list-style-type: none"> 100% Sunbrella Acrylic Best outdoor fabric available for making cushions Dirt repellent Not waterproof, store inside! Machine washable at max. 30°C. Ironing restores the protective layer 	0,02	n.a.	11.28 oz/ft ²	Outdoor & indoor	Water column of 39.37 inch (EN 20811)	7/8 (ISO 105-B02)	/

* DIN 4102-B2/M1
Is roughly the same as the Euroclass D/E

** NEN-EN13501-1 A1
Class A1 products will not contribute to fire in any stage, including fully developed fire. For this reason, they are assumed to be capable of satisfying all requirements of all lower classes as well.

*** NEN-EN13501-1 A2-s1
Satisfying the same criteria as class B for the SBI-test according to EN 13823. In addition, under conditions of a fully developed fire these products will not significantly contribute to the fire load and fire growth

Materials	Key facts	Thickness	Layer thickness	Density	In/outdoor	Water	UV color fastness	Flame retarding
		inch	micron					
PC (storage lids)	<ul style="list-style-type: none"> Extremely impact -resistant, hard and transparent plastic Lightweight Temperature resistant from -40°C to 120°C 100% recyclable 	0.24	n.a.	0.26 10 ³ lb/ft ³	Outdoor & indoor	n.a.	Very good	NEN-EN13501-1 B2-s1 ****
Anodised aluminium rotation system	<ul style="list-style-type: none"> A process aimed at thickening the existing aluminium oxide layer Thickest layer of protection 	0.20	20	0.60 10 ³ lb/ft ³	Outdoor & indoor	n.a.	Very good	NEN-EN13501-1 A1 **
Stainless steel AISI 316 tube, pin & wheel axes	<ul style="list-style-type: none"> High rusting resistance Periodical maintenance 	0.08 - 0.47	n.a.	1.78 10 ³ lb/ft ³	Outdoor & indoor	n.a.	Very good	NEN-EN13501-1 A1 **
Polypropylene Multi-filament ropes	<ul style="list-style-type: none"> High tenacity yarn Light weight (even wet) Mold and rot resistant Easy to tie, low stretch Non-toxic, safe for humans and animals (OEKO-TEX®) Doesn't get dirty easily 	0.31	n.a.	0.03 oz/inch	Outdoor & indoor	n.a.	Very good	/
PU coated polyester fabric cover	<ul style="list-style-type: none"> High UV resistance Long-term appearance Washable 60° Elastic 	0.02	n.a.	5.10 oz/ft ²	Outdoor & indoor	Water column of 78.74 inch (EN20811)	Very good	/

** NEN-EN13501-1 A1

Class A1 products will not contribute to fire in any stage, including fully developed fire. For this reason, they are assumed to be capable of satisfying all requirements of all lower classes as well.

**** NEN-EN13501-1 B2-s1

Materials in class B-s1 are combustible but contribute very limitedly to fire propagation. They do not burn easily but are not completely non-combustible and exhibit very limited smoke development in the event of a fire.







Warranty

Our quality promise, made solid. Material based warranty.

Each material has unique properties, and the warranty covers issues specific to each. Steel should not rust, coatings should not peel, and wood should not rot. We have outlined the warranty coverage for all materials in our Warranty Chart for your convenience.

Based on our 30 years of expertise with wood, fabrics and metals, we now offer 5 to 15 years warranty.

<p>15 — YEAR</p> 	<p>GALVANIZED STEEL Enjoy an impressive 15-year warranty on all galvanized steel parts. We proudly use this exceptional Cradle to Cradle certified technique to protect steel from rusting, incorporating it into nearly all our designs.</p>
<p>5 — YEAR</p> 	<p>COATED METALS, STAINLESS STEEL, WOOD AND SUNBRELLA We offer a comprehensive 5-year warranty on all powder coated metal parts, stainless steel components, wooden parts, and Sunbrella fabrics. This extension ensures that all key materials of our products are covered</p>

						
	Galvanized steel	Stainless steel	Coated metals	Wood species	Sunbrella fabrics	Other materials
Structural — Functional	15 years	5 years	5 years	5 years	5 years	2 years
Rust	15 years	5 years	5 years			
Wood rot				5 years		
Cracks				5 years for cracks > 4 mm		
Terms apply: Please read our commercial warranty statement here						

Good to know

You'll use the sofa more often simply because a dry, soft seat is always ready for you, all year round.

About the convertible top

- Our Sun can be dangerous. Cabrio's top provides a shaded, relaxing seat — perfect for hot summer days.
- It protects your cushions so you don't need to store them inside
- The top shields you from the elements. Even when it's just a little too chilly, you can still enjoy the view and fresh air.

Additionally, Cabrio offers:

- A footrest for ultimate comfort and ergonomic support, which neatly folds away into the storage compartment underneath the seat cushion when closing the top.
- A handy spot to place your drink.
- Storage for your book, sunglasses, smartphone, blankets and more.

F.A.Q.

Q Can you leave the cushions inside the Cabrio all year long?

A Yes. The Cabrio is designed to avoid the hassle of dragging cushions in and out all the time. Just make sure to allow some ventilation by opening the soft top when the weather is dry.

Q How many different positions does the shade have?

A The soft top has a stepless positioning system, so there are no fixed positions — you can stop it anywhere between fully open and fully closed, giving you complete control over shade and shelter.

Q How do I actually move it around?

A Optional wheels allow easy movement, and a rotation pole can anchor it in place. An extra weight is available for stability, and leveling feet can be added to balance it on uneven surfaces. Its compact dimensions also allow access through doors and elevators, making relocation more practical than the size suggests.

Maintenance

www.extremis.com/maintenance

POWDER COATED PARTS

- Use Extremis multi cleaner, a 100% biodegradable detergent or common kitchen cleaning products. Avoid using aggressive products. These surfaces are best cleaned with a neutral cleaning product diluted in water.

SUNBRELLA

- Shake or brush off loose dirt immediately.
- Spray Extremis multi cleaner.
- Use a soft brush and make circular movements.
- Let the suds soak in for a moment.
- Rinse thoroughly to remove all soap residue.
- Simply allow to dry.

PE

- Spilled liquids should be removed immediately with a clean, soft cloth, particularly in case of dark-colored liquids such as wine, ink, coffee, coke, oil and bird droppings.
- Don't use any abrasive cleaning products!

Instructions

To transform your Cabrio sofa into a lounge seat, tilt the seat cushion and pull the footrest out. Make sure that the footrest is securely hooked to the stainless steel tube in front of the shell.

Warnings

General

- Do not use any sharp tools to open the packaging.
- We strongly advise against using power tools.
- Tripping hazard, mind your step.
- Do not put out cigarettes on the table.
- Not graffiti proof.
- Do not leave children unattended whilst playing on the table.
- To avoid danger of suffocation, keep plastic bags away from babies and children.
- Colors can differ over years and from batch to batch.

Product

- Stains should be removed immediately with a clean, soft cloth, particularly in case of dark-colored liquids such as wine, ink, coffee, coke, oil or bird droppings. If left to dry, these liquids may cause permanent damage.

- Never sit on the footrests to avoid damaging the cushions and aluminum plate.
- Keep pets and sharp objects away from the Cabrio to avoid damaging the fabrics
- Max. 2 people or 300 kg.

Powder coating

- White powder coating requires more maintenance.
- Do not use abrasive scouring powders or scourers as they will scratch the surface.
- Color can fade to some extent when exposed to UV.
- Flame retarding - NEN-EN13501-1 A2-s1 - Satisfying the same criteria as Class B for the SBI-test according to EN13823. In addition, under conditions of a fully developed fire these products will not significantly contribute to the fire load and fire growth.
- Dark colors can get very hot in sunny weather.

Sunbrella®

- Shake or brush off loose dirt immediately.
- UV color fastness: 7/8 (ISO 105-B02).

PE

- Spilled liquids should be removed immediately with a clean, soft cloth, particularly in case of dark-colored liquids such as wine, ink, coffee, coke, oil and bird droppings.
- Don't use any abrasive cleaning products!

The content of this document, in particular the mentioned models, is protected by copyrights and/or design rights. The present document and its content is communicated to you for information purposes only. Any partial or total reproduction or any other use without our prior written permission is strictly prohibited. This technical sheet remains subject to possible changes. All dimensions are in inch, unless mentioned otherwise. Extremis is not responsible for the errors in the documentation of products. All measurements are approximate and are provided for informational purposes only.

Tech sheet
20260407