

Tiki table

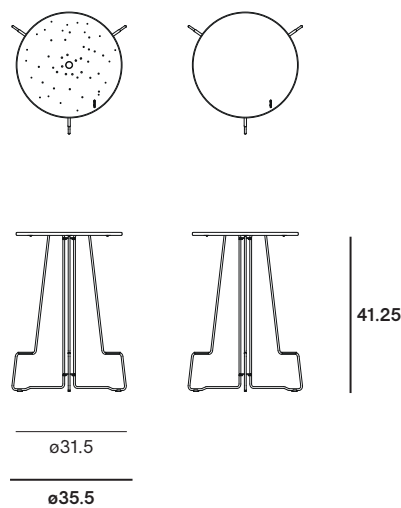
© Design by Dirk Wynants for Extremis, 2020

extremis®

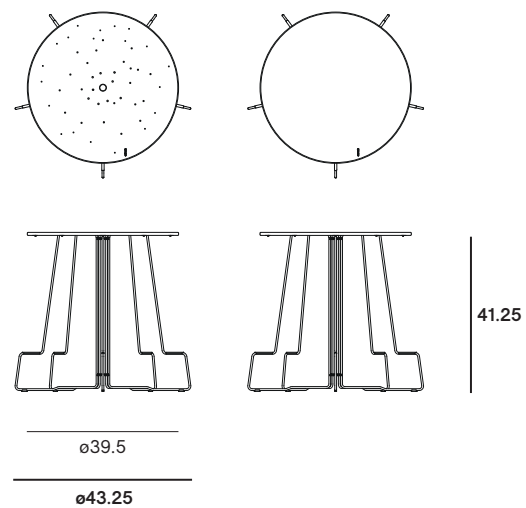


Dimensions

The Tiki table small is available with 2 different tabletops
(Standard tabletop with drainage & parasol hole / Solid tabletop)



The Tiki table large is available with 2 different tabletops
(Standard tabletop with drainage & parasol hole / Solid tabletop)



Box dimensions

The Tiki table comes in 2 boxes

Box 1: Tabletop



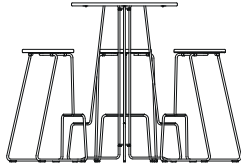
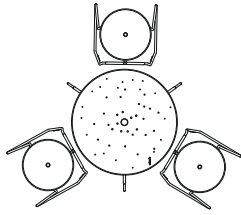
Box 2: legs



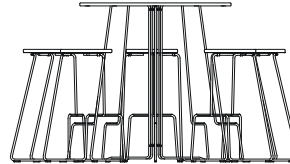
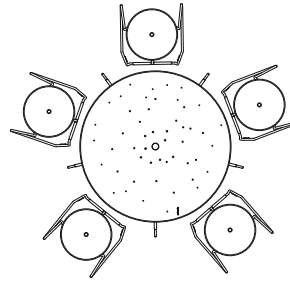
Box dimensions (inch)		L	W	H	Qty	Volume (ft ³)	Gross weight (lb)	Net weight (lb)	Packaging weight (lb)
Tiki table small	Box 1	29.25	29.25	2.25	1	1.06	19.84	15.43	4.41
	Box 2	43	20.47	6.75	1	3.53	23.15	17.64	5.51
	Total:					4.59	42.99	33.07	9.92
Tiki table large	Box 1	41	41	2.25	1	2.12	37.92	29.76	8.16
	Box 2	43	25.75	10	1	6.36	38.14	13.97	6.17
	Total:					8.48	76.06	43.73	14.33

How to combine Tiki table

The Tiki table small can be combined with 3 Tiki bar stools

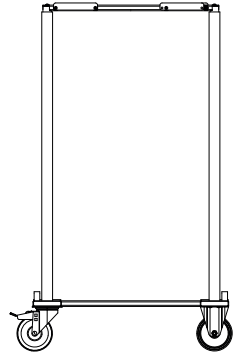
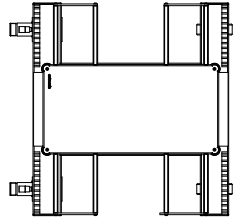


The Tiki table large can be combined with 5 Tiki bar stools

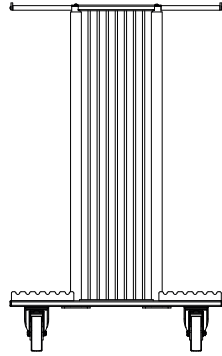


Tiki table trolley

The Tiki table trolley is available in 1 dimension



30.25



29.5

48.25

Box dimensions

The Tiki table trolley comes in 1 box

Box 3: Tubes (2x)



Box 4: Floor plate + top plate



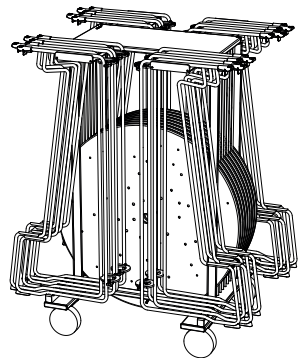
Box 5: Wheels



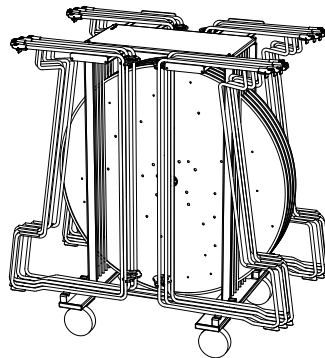
Box dimensions (inch)		L	W	H	Qty	Volume (ft ³)	Gross weight (lb)	Net weight (lb)	Packaging weight (lb)
Tiki table Trolley	Box 3	43.0	6.5	4.5	2	7.42	12.13	11.02	1.10
	Box 4	28.0	30.25	3.5	1	1.77	35.27	33.07	2.20
	Box 5	11.75	7.75	6.75	1	0.35	5.51	4.41	1.10
						9.54	52.91	48.50	4.40

How to combine Tiki table with the Tiki table trolley

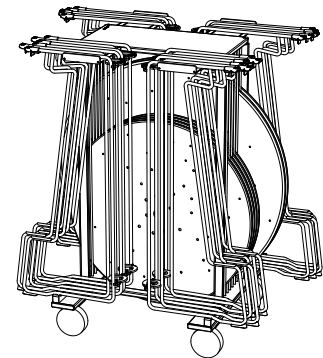
Tiki table trolley +
8 x small Tiki table



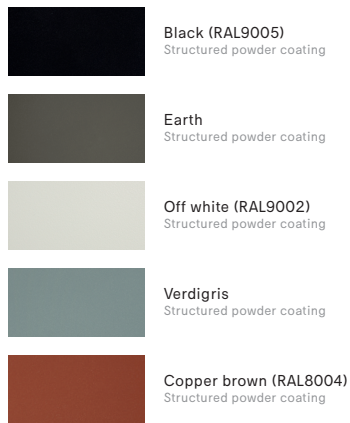
Tiki table trolley +
4 x large Tiki table



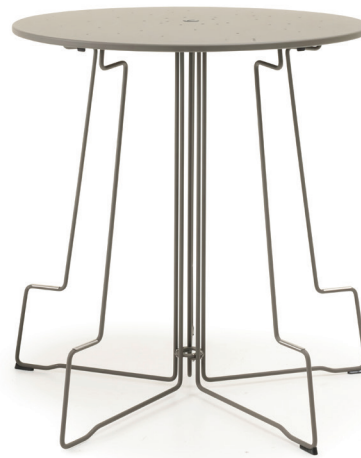
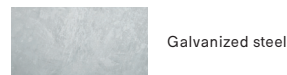
Tiki table trolley +
4 x small Tiki table + 2 x large Tiki table



Tabletop & legs



Tiki table trolley



Materials	Key facts	Thickness	Layer thickness	Density	In/outdoor	Water	UV color fastness	Flame retarding
		inch	micron					
Structured power coated ZnAlMg steel tabletop	<ul style="list-style-type: none"> A technique of applying dry paint to a part Electrostatically charged and sprayed onto the object More scratch-resistant than non structured powder coated 	0.06	60	0.47 10 ³ lb/ft ³	Outdoor & indoor	n.a.	Very good: color can fade to some extent when exposed to UV	NEN-EN 13501-1 A2-s1
Structured powder coated zinc steel legs	<ul style="list-style-type: none"> Easy to clean Cold galvanised, then powdercoated More scratch-resistant than non structured powder coating 	0.47	100	0.47 10 ³ lb/ft ³	Outdoor & indoor	n.a.	Very good: color can fade to some extent when exposed to UV	NEN-EN 13501-1 A1
Stainless steel footrest	<ul style="list-style-type: none"> High rust resistance Periodical maintenance required 	0.50	n.a.	0.50 10 ³ kg/m ³	Outdoor & indoor	n.a.	No effect	NEN-EN13501-1 A1 *
Hot dip galvanized steel tubes & plates (Trolley)	<ul style="list-style-type: none"> Most durable method for protecting metal from rusting Protective layer Very long life span 100% recyclable Cradle to Cradle Certified™ 	0.01	n.a.	9,53 oz/ft ²	Outdoor & indoor	The fabric has a water column of 350 mm (EN 20811)	7/8 (ISO 105-B02)	/

NEN-EN13501-1 A1

Class A1 products will not contribute to fire in any stage, including fully developed fire. For this reason, they are assumed to be capable of satisfying all requirements of all lower classes as well.

NEN-EN13501-1 A2-s1

Satisfying the same criteria as class B for the SBI-test according to EN 13823. In addition, under conditions of a fully developed fire these products will not significantly contribute to the fire load and fire growth

Good to know

- Transparent fine lines, to give bars, restaurants, etc., a tidy, sleek look with its minimal impact.
- Footrest with great freedom of movement.
- Water drainage holes in the standard tabletop.
- Easy to fold and store.
- The perfect combination with Tiki bar stools.



small version
with Tiki bar stools



large version
with Tiki bar stools

- Tiki Table Trolley for storage.
8 small Tiki tables
4 large Tiki tables
4 small and 2 large Tiki tables



Maintenance

POWDER COATED PARTS

- Use Extremis multi cleaner, a 100% biodegradable detergent or common kitchen cleaning products. Avoid using aggressive products. These surfaces are best cleaned with a neutral cleaning product diluted in water.

GALVANIZED PARTS

- Clean with lukewarm water and a mild detergent or Extremis multi cleaner.

F.A.Q.

Q: *Is the Tiki table weatherproof?*

A: Yes, the tabletop and legs of the Tiki table are made of durable, UV- & waterproof materials. The hole in the tabletop makes sure the water can evacuate easily.

Warnings

General

- Do not use any sharp tools to open the packaging.
- We strongly advise against using power tools.
- Tripping hazard, mind your step.
- Do not put out cigarettes on the table.
- Not graffiti proof.
- Do not leave children unattended whilst playing on the table.
- To avoid danger of suffocation, keep plastic bags away from babies and children.
- Colors can differ over years and from batch to batch.

Product

- Do not drag the table, but carry it with minimum 2 people.
- Regularly clean the flat surface of tabletop.

Powder coating

- White powder coating requires more maintenance.
- Do not use abrasive scouring powders or scourers as they will scratch the surface.
- Color can fade to some extent when exposed to UV.
- Flame retarding - NEN-EN13501-1 A2-sl - Satisfying the same criteria as Class B for the SBI-test according to EN13823. In addition, under conditions of a fully developed fire these products will not significantly contribute to the fire load and fire growth.
- Dark colors can get very hot in sunny weather.

Galvanized steel

- Galvanization will become less shiny when used outdoors.
- Flame retarding - NEN-EN13501-1 A1 - Class A1 products will not contribute to fire in any stage,

including fully developed fire. For this reason, they are assumed to be capable of satisfying all requirements of all lower classes as well.

- Possible impurities in the immersion tank can cause black marks during galvanization, which are intrinsic to this industrial finishing technique.
- White marks on this zinc layer are also intrinsic to this procedure and will disappear when the furniture is put outdoors.
- This industrial finishing technique may result in a rougher surface. This is intrinsic to the process.