



Gargantua



Design

© Design by Dirk Wynants for Extremis, 1994

Extremis awards

- Henry Van De Velde Award, 2001
- Hermes Creative Award, 2002
- De Leeuw van de Export Award, 2003
- Design Management Europe Award, 2007
- Unizo KMO Laureaat, 2008
- Green Good Design Award, 2013
- Sustainable Enterprise, POM Vlaanderen, 2016

Text

Gargantua is an adaptable round outdoor picnic table that offers superior functionality. The bench height can be adjusted to suit social or family circumstances. There are levels for adults, big and small children. In the highest position the benches become a tabletop extension and provide space for 12 people. Guests in wheelchairs have easy access as well. The Gargantua also serves as a parasol base for the Inumbra parasol, so you don't lose any leg space,

- For 8 to 12 people
- Adjustable benches (4 positions)
- Slanted legs
- Wheelchair accessible
- Robust, durable materials
- Narrow slats for optimal use of materials
- Low maintenance
- Suitable for indoors and outdoors
- Weight: 150,6 kg
- Small transport volume: 0,4 m³
- Can be combined with Inumbra or Inumbrina parasol
- Optional backrests
- Optional floor fastening
- Optional bench fastening – ideal for public spaces

- Optional cushions available

More info: www.extremis.com/gargantua

Construction

Tabletop (1460 mm diameter):

- Sections of Iroko wood (optional with FSC label)
- Centerplate in stainless steel AISI 316, with drainage holes and a parasol hole of 65 mm diameter

4 benches (each bench can carry 300 kg, max. 3 people per bench):

- Slats in Iroko wood (optional with FSC label)
- Galvanised steel frame

4 legs: galvanized steel

Optional backrests: galvanized steel

Optional cushions: Sunbrella fabric in Natté Grey Chiné or Lopi Marble

Optional set of 4 floor fastenings: galvanized steel plates (to be fixed with bolts)

Optional set of 4 bench fastenings: galvanized steel brackets to be fixed to the legs (for public spaces)

Materials info

Iroko (tabletop & benches)

- Tropical hardwood, durability Class I
- FSC certificate is possible
- Chain of Custody
- Thickness of tabletop: 40 mm
- Thickness of benches: 20 mm
- Density of tabletop and benches: 600 to 700 kg/m³
- Suitable for indoors and outdoors
- The wood is untreated on delivery; untreated wood turns grey over time
- Natural product with a warm appearance
- Very quick drying time after a rain shower
- Feels comfortable in all weather conditions
- If the wood is stained or scratched, this can be removed by lightly sanding the wood. It's recommended to oil the wood annually for easier maintenance and to counteract the greying effect.

Stainless steel 316 (tabletop centerplate)

- High rust resistance
- Thickness: 2 mm
- Density: 8,00 10³kg/m³
- Outdoors and indoors
- Very good UV fastness
- Flame retarding (NEN-EN13501-1 A1)

- Periodical maintenance required

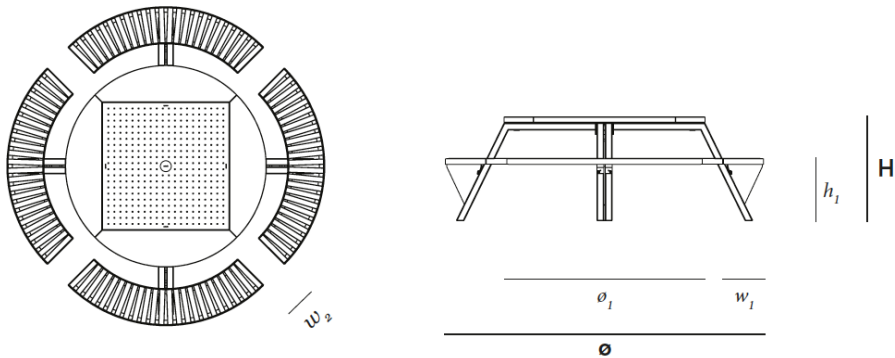
Hot dip galvanized steel (frame, legs and backrests)

- Hot dip galvanizing provides a protective layer
- Most durable method for protecting metal from rusting
- Very long life span
- Low maintenance
- 100% recyclable
- Cradle to Cradle Certified
- Thickness of bench: 2 mm
- Thickness of tabletop: 10 mm
- Layer thickness 50-100 microns
- Density: $7.5 \cdot 10^3 \text{kg/m}^3$
- For outdoor and indoor use
- Very good UV-resistance
- Galvanized steel will become less shiny over time
- Flame retarding (NEN-eN13501-1 A1)

Sunbrella cushions (for benches)

- 100% Sunbrella Acrylic (dyed in the mass)
- Best outdoor fabric available for making cushions
- Dirt repellent
- Machine washable up to a max. 30°C, not in the dryer, may be cleaned with bleach. Ironing restores the protective layer.
- Thickness: 0.50 mm
- Density: 260 g/m²
- Outdoors and indoors
- The material has a water column of 350 mm (EN 20811)
- Very good UV-fastness (7/8 (ISO105-B02))

Dimensions



Dimensions (mm)	Ø	H	Ø ₁	h ₁	w ₁	w ₂
Position 1	2309	751	1460	450	270	209
Position 2	2235	751	1460	524	270	157
Position 3	2161	751	1460	599	270	105
Position 4	2014	751	1460	751	270	1

Position 1:
adults



Position 2:
tall children



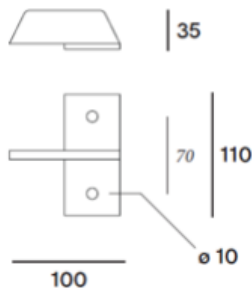
Position 3:
small children



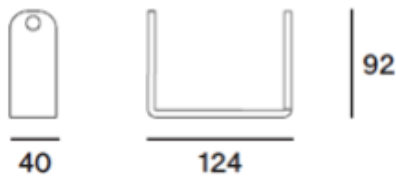
Position 4:
large tabletop



Floor fastening



Bench fastening



Weight and transport volume

- Gargantua: weight 150,40 kg, volume 0,40 m³
 - Tabletop: 44,20 kg, volume 0,18m³
 - Benches: 51,20 kg, volume 0,15m³
 - Legs: 36,80 kg, volume 0,05m³
 - Bench support & mounting kit: 18,40 kg, volume 0,02m³
- Optional backrests: weight 20 kg, volume 0,31 m³
- Optional cushions: weight 4,8kg, volume 0,16 m³
- Optional floor fastening: weight 1,53kg, volume 0,01 m³
- Optional bench fastening: weight 1,53kg, volume 0,01 m³

View more details on the product factsheet at www.extremis.com/en/product-downloads/gargantua

Standards

- NEN-EN13501-1 A (stainless and galvanized steel, flame retarding)
- ISO 105-B02 (Sunbrella) (UV resistance)
- EN 20811 (Sunbrella)

Certificates

- FSC

Warranty

Enjoy an impressive 15-year warranty on all galvanized steel parts, 5 years on all powder

coated metal parts, stainless steel components, wooden parts and Sunbrella fabrics.

Maintenance

Wood

- Little maintenance required, but the better it is treated, the longer it will last.
- Regularly/after use: wet cloth.
- To remove stubborn dirt residues use a hard brush and water.
- Once to twice per year: clean thoroughly. We recommend that this is done in the spring and just before winter.
- Oil before the first use and once per year. An oiled table will absorb liquids less quickly and therefore remains clean for longer.
- Every 2 to 4 years: sand the wood with a sander and sandpaper with grain 120. After a few years, the wood will display cracks and can become slightly misshapen. This is perfectly normal as wood is a natural and living material. The great advantage of solid wood is that you can sand down the top surface to make the surface even and smooth once more. Use a hand sander for this (do it on a dry day).
- Any cracks can be hand sanded. Use 120-grain sandpaper for this. Be careful not to permanently damage the fibres. It is for this reason that a high-pressure washer should never be used to clean wood.

Galvanized parts

Regular cleaning with lukewarm water and mild cleaning product. Use a soft brush to remove any caked-on dirt.

Stainless steel

Clean regularly with a dry cloth and some stainless steel cleaner.

Sunbrella cushions

- Machine washable up to a max. 30°C
- Not in the dryer
- May be cleaned with bleach
- Ironing restores the protective layer

More info: <https://www.extremis.com/maintenance>

Applications

- Indoor
- Outdoor
- Residential
- Businesses
- Hospitality
- Educational institutions
- Healthcare
- Public spaces

Assembly

For more info please see manual: www.extremis.com/en/product-downloads/gargantua