

# Kosmos shade

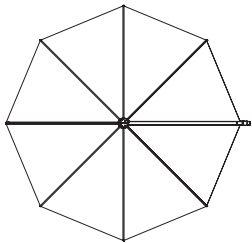
© Design by Dirk Wynants for Extremis, 2008

extremis®



## Dimensions

The Kosmos round shade is available in 2 heights  
In combination with floor fastening

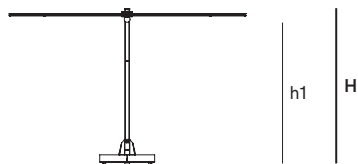
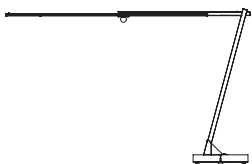


Dimensions (inch)	H	h1
Round shade	79	75
Round shade high	84.75	80.75

ø128.5

133.25

In combination with concrete base

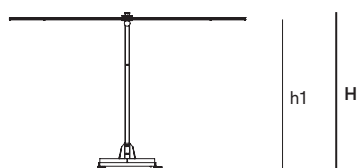
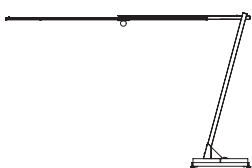


Dimensions (inch)	H	h1
Round shade	84.25	80
Round shade high	90	85.75

ø128.5

133.25

In combination with concrete wheel base

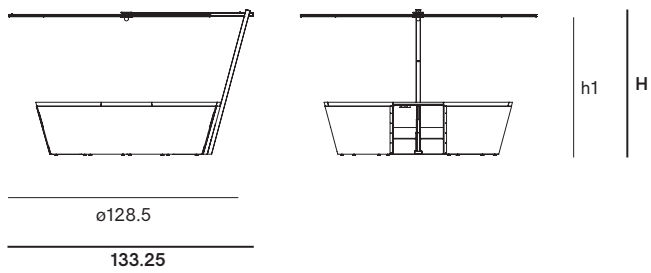


Dimensions (inch)	H	h1
Round shade	87.25	83
Round shade high	93	89

ø128.5

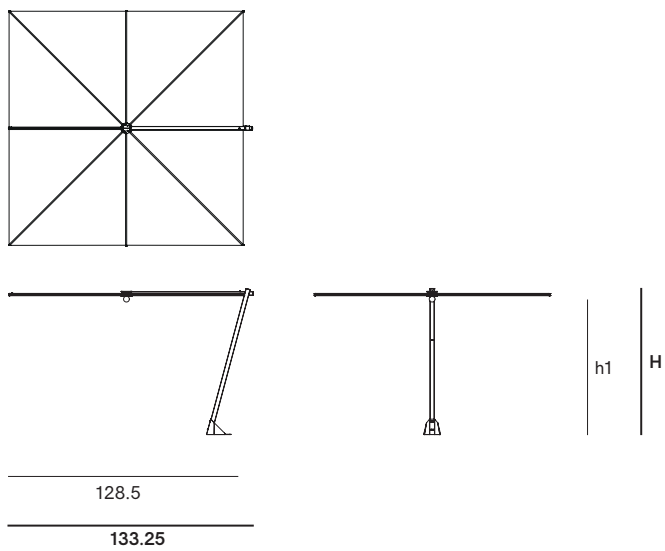
133.25

In combination with Kosmos 8-seater



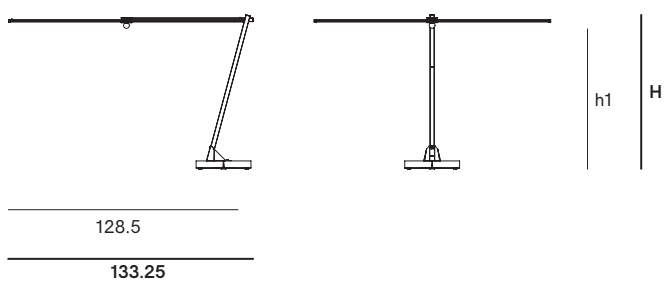
Dimensions (inch)	H	h1
Round shade	79	75
Round shade high	84.75	80.75

The Kosmos square shade is available in 2 heights  
In combination with floor fastening



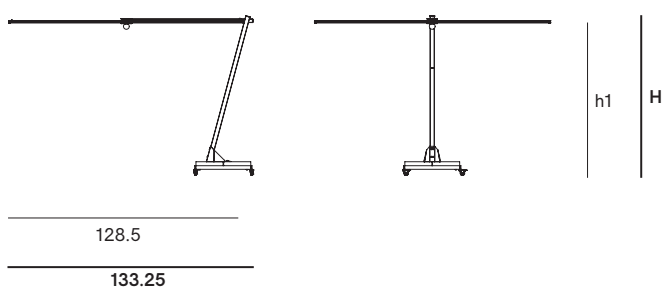
Dimensions (inch)	H	h1
Square shade	79	75
Square shade high	84.75	80.75

In combination with concrete base



Dimensions (inch)	H	h1
Square shade	84.25	80
Square shade high	90	85.75

In combination with concrete wheel base

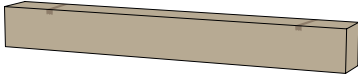


Dimensions (inch)	H	h1
Square shade	87.25	83
Square shade high	93	89

## Box dimensions

The Kosmos shade comes in 1 box

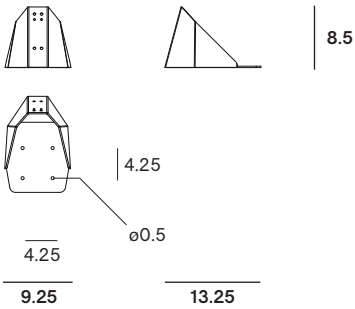
Box 1: Kosmos shade + Cover



Box dimensions (inch)		L	W	H	Qty	Volume (ft <sup>3</sup> )	Gross weight (lb)	Net weight (lb)	Packaging weight (lb)
Kosmos round shade	Box 1	88.5	9.75	9.75	1	4,94	60,87	53,64	7,23
Kosmos round shade high	Box 1	88.5	9.75	9.75	1	4,94	67,48	60,25	7,23
Kosmos square shade	Box 1	105.25	10.25	11.5	1	7,06	65,81	58,58	7,23
Kosmos square shade high	Box 1	105.25	10.25	11.5	1	7,06	72,42	65,19	7,23

## Floor fastening

The floor fastening (parasol base) is available one dimension



## Box dimensions

The floor fastening (parasol base) comes in 1 box

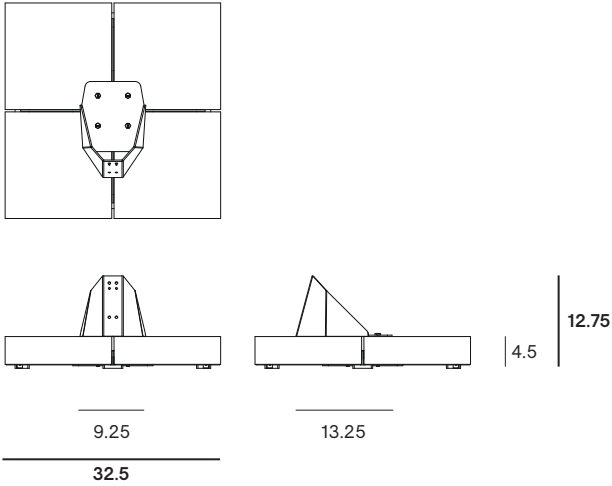
Box 2: Floor fastening (parasol base)



Box dimensions (inch)		L	W	H	Qty	Volume (ft <sup>3</sup> )	Gross weight (lb)	Net weight (lb)	Packaging weight (lb)
Floor fastening	Box 2	12.5	9	10.75	1	0,71	11,90	11,46	0,44

## Concrete base

The concrete base is available in one dimension



Box dimensions (inch)		L	W	H	Qty	Volume (ft <sup>3</sup> )	Gross weight (lb)	Net weight (lb)	Packaging weight (lb)
Concrete base	Box 2	12.5	9	10.75	1	0,71	11,90	11,46	0,44
	Box 3	14.75	14.75	4	4	2,12	264,55	251,33	13,23
	Box 4	28.25	12.25	5	1	1,06	15,87	14,33	1,54
	Total:					<b>3,89</b>	<b>292,32</b>	<b>277,12</b>	<b>15,51</b>

## Box dimensions

The concrete base comes in 6 boxes

Box 2: Floor fastening (parasol base)



Box 3: Concrete block

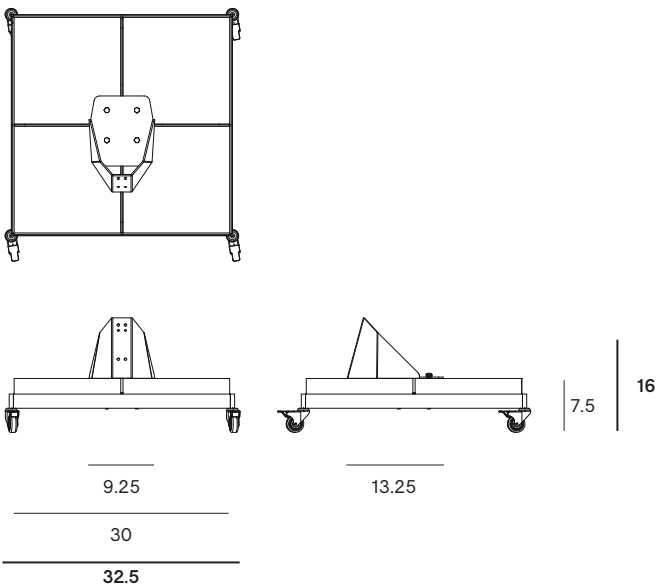


Box 4: Frame for concrete blocks



## Concrete wheel base

The concrete wheel base is available in one dimension



## Box dimensions

The concrete wheel base comes in 6 boxes

Box 2: Floor fastening (parasol base)



Box 3: Concrete block



Box 5: Frame for concrete wheel base



Box dimensions (inch)		L	W	H	Qty	Volume (ft <sup>3</sup> )	Gross weight (lb)	Net weight (lb)	Packaging weight (lb)
Concrete wheel base	Box 2	12.5	9	10.75	1	0,71	11,90	11,46	0,44
	Box 3	14.75	14.75	4	4	2,12	264,55	251,33	13,23
	Box 5	33.5	33.5	6	1	3,88	49,38	46,30	3,09
	Total:					<b>6,71</b>	<b>325,83</b>	<b>309,09</b>	<b>16,76</b>

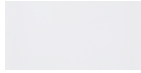
## Fabric round shade



**Black**  
High-tech polyester

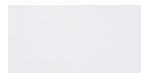


**Taupe**  
High-tech polyester



**White**  
High-tech polyester

## Fabric square shade



**White**  
High-tech polyester



## Pole



Stainless steel

## Base frames



Galvanized steel

Materials	Key facts	Thickness	Layer thickness	Density	In/outdoor	Water	UV color fastness	Flame retarding
		inch	micron					
High-tech polyester fabric	<ul style="list-style-type: none"> <li>High UV resistance and ultra strong</li> <li>Low weight / high tear strength</li> <li>Long-term appearance</li> </ul>	0.01	n.a.	8,81 oz/ft <sup>3</sup>	Outdoor & indoor	The fabric has a water column of 350 mm (EN 20811)	7/8 (ISO 105-B02)	/
Stainless steel parasol base	<ul style="list-style-type: none"> <li>High rust resistance</li> <li>Periodical maintenance required</li> </ul>	0.07 - 0.63	n.a.	0,50 10 <sup>9</sup> lb/ft <sup>3</sup>	Outdoor & indoor	n.a.	Very good	NEN-EN13501-1 A1 *
Hot dip galvanized steel base for concrete (wheel) base	<ul style="list-style-type: none"> <li>Most durable method for protecting metal from rusting</li> <li>Protective layer</li> <li>Very long life span</li> <li>100% recyclable</li> <li>Cradle to Cradle Certified™</li> </ul>	0.07 - 0.39	50 - 100	0,47 10 <sup>9</sup> lb/ft <sup>3</sup>	Outdoor & indoor	n.a.	Very good, galvanization will however become less shiny when used outdoors	NEN-EN13501-1 A1 *
Cover	<ul style="list-style-type: none"> <li>100% polyester</li> <li>Polyuréthane coating</li> <li>Breathable, so not 100% waterproof</li> </ul>	0.01	n.a.	14,10 oz/ft <sup>2</sup>	Outdoor & indoor	Water repellent & breathable	6-8/8 (ISO 105-B02)	/

[NEN-EN13501-1 A1](#)

Class A1 products will not contribute to fire in any stage, including fully developed fire. For this reason, they are assumed to be capable of satisfying all requirements of all lower classes as well.

## Good to know

- The parasol cover is included.
- You can open and close the parasol like a fan. The shade stays open by means of magnets.
- After a long time not being in use, it's possible that the magnets loose strength.
- We advise to close the shade and apply the included cover.



## Maintenance

### PARASOL FABRIC

- Shake or brush off loose dirt immediately.
- Spray Extremis Multi Cleaner.
- Use a soft brush and make circular movements.
- Let the suds soak in for a moment.
- Rinse thoroughly to remove all soap residue.
- Simply allow to dry.

### STAINLESS STEEL

- Clean regularly with a dry cloth and some stainless steel cleaner.

## F.A.Q.

*Q: How wind resistant is the shade?*

**A:** Tests in a windtunnel have shown that the shade withstands wind speeds up to 31 mph when anchored to the floor. Still, we strongly advise to close it sooner (from wind speed 18 mph).

*Q: Is the fabric 100% waterproof?*

**A:** With light rain you stay easily seated underneath the shade. The fabric is slightly slanted in opened position. With heavy rain, the canvas lets through only a little bit of water. This is typical for the fabric and necessary, because the fabric should be able to ventilate.

*Q: Do you need to use a parasol cover?*

**A:** The cover is needed to protect and fix the parasol when not in use. Protect your parasol from polluted rain, bird droppings, dust and heavy winds to avoid marks or stains on the parasol fabric.

## Warnings

### General

- Do not use any sharp tools to open the packaging.
- We strongly advise against using power tools.
- Tripping hazard, mind your step.
- Do not put out cigarettes on the parasol.
- Not graffiti proof.
- To avoid danger of suffocation, keep plastic bags away from babies and children.
- Colors can differ over years and from batch to batch.

### Product

- Anchoring the product has to be done by qualified people.
- For anchoring: use suitable bolts or screws from a specialized store depending on the material your terrace is made of.
- Store the parasol when not used for a long time as follows: vertically, completely dry and in a dry environment.

- Do not leave closed if not completely dry. Do not leave the parasol closed for a long time when the parasol fabric is still damp or wet.
- In case of strong winds, close the parasol and use the slip-cover to prevent the parasol from opening or getting dirty.
- Do not leave the parasol unattended when opened.
- Tests in a windtunnel have shown that the shade withstands wind speeds up to 31 mph when anchored to the floor. Still, we strongly advise to close it sooner (from wind speed 18 mph).

### High-tech polyester

- Shake or brush off loose dirt immediately.
- Do not use any aggressive detergents as they will remove the protective coating of the fabric.
- We strongly advise you not to use a high-pressure hose for cleaning.

### Stainless steel

- Very good UV color fastness.
- Flame retarding: NEN-EN13501-1 A1 - Class A1 products will not contribute to fire in any stage, including fully developed fire. For this reason, they are assumed to be capable of satisfying all requirements of all lower classes as well.
- Watch out, stainless steel isn't entirely rustproof! Be sure to avoid contact with iron objects. If it does show signs of rust, clean with rust remover as quickly as possible.

### Concrete

- Matt and porous.
- Very good UV colour fastness.
- Flame retarding: NEN-EN13501-1 A1 - Class A1 products will not contribute to fire in any stage, including fully developed fire. For this reason, they are assumed to be capable of satisfying all requirements of all lower classes as well.