

Marina picnic

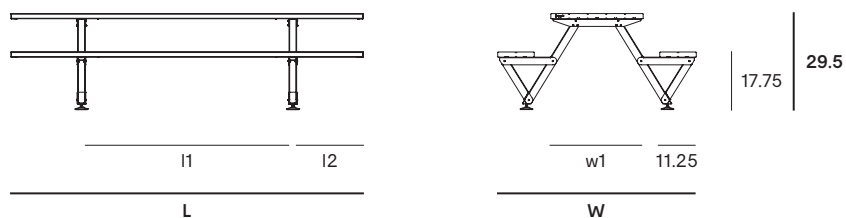
© design by Metrica

extremis®



Dimensions

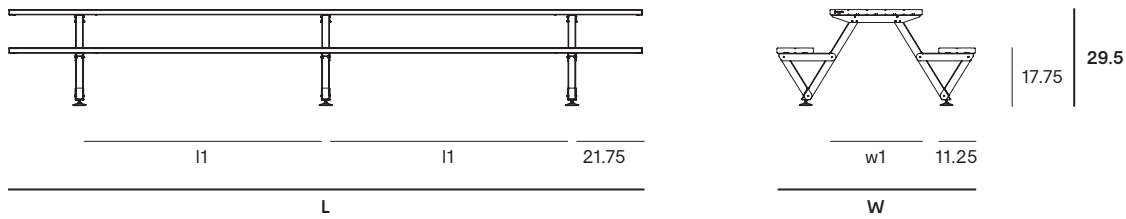
The Marina picnic with two legs is available in 4 lengths and 2 widths



Dimensions (inch)	L	W 5 prof	W 6 prof	l1	l2	w1 5 prof	w1 6 prof
Marina picnic 165	65.0	60.5	67.0	43.25	10.75	28.25	34.25
Marina picnic 220	86.5	60.5	67.0	43.25	21.75	28.25	34.25
Marina picnic 275	108.25	60.5	67.0	65.0	21.75	28.25	34.25
Marina picnic 330	130.0	60.5	67.0	86.5	21.75	28.25	34.25

Dimensions

The Marina picnic with three, four, five & six legs are available in 4 lengths and 2 widths



Dimensions (inch)	L	W 5 prof	W 6 prof	l1	w1 5 prof	w1 6 prof	# legs
Marina picnic 385	151.5	60.5	67.0	54.25	28.25	34.25	3
Marina picnic 440	173.25	60.5	67.0	65.0	28.25	34.25	3
Marina picnic 495	195.0	60.5	67.0	192.5	28.25	34.25	3
Marina picnic 550	216.5	60.5	67.0	75.75	28.25	34.25	3
Marina picnic 605	238.25	60.5	67.0	65.0	28.25	34.25	4
Marina picnic 660	259.75	60.5	67.0	54.25	28.25	34.25	4
Marina picnic 715	281.5	60.5	67.0	79.25	28.25	34.25	4
Marina picnic 770	303.25	60.5	67.0	65.0	28.25	34.25	4
Marina picnic 825	324.75	60.5	67.0	56.25	28.25	34.25	5
Marina picnic 880	346.5	60.5	67.0	60.5	28.25	34.25	5
Marina picnic 935	368.0	60.5	67.0	65.0	28.25	34.25	5
Marina picnic 990	389.75	60.5	67.0	176.0	28.25	34.25	5
Marina picnic 1045	411.5	60.5	67.0	73.5	28.25	34.25	6
Marina picnic 1100	433.0	60.5	67.0	65.0	28.25	34.25	6
Marina picnic 1155	454.75	60.5	67.0	82.25	28.25	34.25	6
Marina picnic 1210	476.5	60.5	67.0	86.5	28.25	34.25	6

Box dimensions - Marina picnic 2 legs

The Marina picnic comes in 3 or 4 boxes

Box 1: 3 profiles



Box 2: 2 profiles



Box 3: Set picnic legs + mounting kit



Box 4: Endcaps (+ reinforcement profile) + mounting kit



Box dimensions (inch)		L	W	H	Qty	Volume (ft3)	Gross weight (lb)	Net weight (lb)	Packaging weight (lb)
Marina picnic 165	Box 1	68.0	5.5	4.75	3	3,18	97,22	89,62	7,60
Tabletop width 28.25 inch	Box 3	34.25	8.5	3.0	2	1,06	73,19	69,67	3,53
	Box 4	34.25	575	3.0	1	0,35	6,83	5,95	0,88
	Total:					4,59	177,24	165,24	12,01
Marina picnic 165	Box 1	68.0	5.5	4.75	2	2,12	64,82	59,75	5,07
Tabletop width 34.25 inch	Box 2	68.0	5.5	3.25	2	1,41	42,77	39,24	3,53
	Box 3	34.25	8.5	3.0	2	1,06	75,84	72,31	3,53
	Box 4	34.25	575	3.0	1	0,35	8,42	7,54	0,88
	Total:					4,94	191,85	178,84	13,01
Marina picnic 220	Box 1	89.75	5.5	4.75	3	3,88	128,31	117,73	10,58
Tabletop width 28.25 inch	Box 3	34.25	8.5	3.0	2	1,06	73,19	69,67	3,53
	Box 4	34.25	575	3.0	1	0,35	6,83	5,95	0,88
	Total:					5,30	208,34	193,35	14,99
Marina picnic 220	Box 1	89.75	5.5	4.75	2	2,83	85,54	78,48	7,05
Tabletop width 34.25 inch	Box 2	89.75	5.5	3.25	2	1,06	56,88	52,03	4,85
	Box 3	34.25	8.5	3.0	2	1,06	75,84	72,31	3,53
	Box 4	34.25	575	3.0	1	0,35	8,42	7,54	0,88
	Total:					5,30	226,68	210,37	16,31
Marina picnic 275	Box 1	111.5	5.5	4.75	3	4,94	160,72	146,83	13,89
Tabletop width 28.25 inch	Box 3	34.25	8.5	3.0	2	1,06	73,19	69,67	3,53
	Box 4	34.25	575	3.0	1	0,35	6,83	5,95	0,88
	Total:					6,36	240,74	222,45	18,30
Marina picnic 275	Box 1	111.5	5.5	4.75	2	3,53	107,14	97,89	9,26
Tabletop width 34.25 inch	Box 2	111.5	5.5	3.25	2	2,12	70,99	65,26	5,73
	Box 3	34.25	8.5	3.0	2	1,06	75,84	72,31	3,53
	Box 4	34.25	575	3.0	1	0,35	8,42	7,54	0,88
	Total:					7,06	262,39	242,99	19,40
Marina picnic 330	Box 1	133.0	5.5	4.75	3	6,00	192,46	175,93	16,53
Tabletop width 28.25 inch	Box 3	34.25	8.5	3.0	2	1,06	73,19	69,67	3,53
	Box 4	34.25	575	3.0	1	0,35	6,83	5,95	0,88
	Total:					7,42	272,49	251,55	20,94
Marina picnic 330	Box 1	133.0	5.5	4.75	2	3,88	128,31	117,29	11,02
Tabletop width 34.25 inch	Box 2	133.0	5.5	3.25	2	2,83	85,54	78,48	7,05
	Box 3	34.25	8.5	3.0	2	1,06	75,84	72,31	3,53
	Box 4	34.25	575	3.0	1	0,35	8,42	7,54	0,88
	Total:					8,12	298,11	275,62	22,49

Box dimensions - Marina picnic 3 legs

The Marina picnic comes in 3 or 4 boxes

Box 1: 3 profiles



Box 2: 2 profiles



Box 3: Set picnic legs + mounting kit



Box 4: Endcaps (+ reinforcement profile) + mounting kit



Box dimensions (inch)		L	W	H	Qty	Volume (ft3)	Gross weight (lb)	Net weight (lb)	Packaging weight (lb)	
Marina picnic 385	Box 1	154.75	5.5	4.75	3	7,06	224,87	205,69	19,18	
	Tabletop width 28.25 inch	Box 3	34.25	8.5	3.0	3	1,06	109,79	104,50	5,29
		Box 4	34.25	575	3.0	1	0,35	6,83	5,95	0,88
Total:						8,48	341,50	316,14	25,35	
Marina picnic 385	Box 1	154.75	5.5	4.75	2	4,59	149,91	137,13	12,79	
	Tabletop width 34.25 inch	Box 2	154.75	5.5	3.25	2	1,41	99,65	91,27	8,38
		Box 3	34.25	8.5	3.0	3	1,41	113,76	108,47	5,29
		Box 4	34.25	575	3.0	1	0,35	8,42	7,54	0,88
Total:						7,77	371,74	344,41	27,34	
Marina picnic 440	Box 1	176.5	5.5	4.75	3	8,12	256,62	234,79	21,83	
	Tabletop width 28.25 inch	Box 3	34.25	8.5	3.0	3	1,06	109,79	104,50	5,29
		Box 4	34.25	575	3.0	1	0,35	6,83	5,95	0,88
Total:						9,53	373,24	345,24	28,00	
Marina picnic 440	Box 1	176.5	5.5	4.75	2	5,30	171,08	156,53	14,55	
	Tabletop width 34.25 inch	Box 2	176.5	5.5	3.25	2	3,53	113,76	104,50	9,26
		Box 3	34.25	8.5	3.0	3	1,41	113,76	108,47	5,29
		Box 4	34.25	575	3.0	1	0,35	8,42	7,54	0,88
Total:						10,59	407,02	377,03	29,98	
Marina picnic 495	Box 1	198.0	5.5	4.75	3	8,83	289,03	264,55	24,47	
	Tabletop width 28.25 inch	Box 3	34.25	8.5	3.0	3	1,06	109,79	104,50	5,29
		Box 4	34.25	575	3.0	1	0,35	6,83	5,95	0,88
Total:						10,24	405,65	375,01	30,64	
Marina picnic 495	Box 1	198.0	5.5	4.75	2	6,00	192,68	176,37	16,31	
	Tabletop width 34.25 inch	Box 2	198.0	5.5	3.25	2	3,88	127,87	117,29	10,58
		Box 3	34.25	8.5	3.0	3	1,41	113,76	108,47	5,29
		Box 4	34.25	575	3.0	1	0,35	8,42	7,54	0,88
Total:						11,30	442,73	409,66	33,07	
Marina picnic 550	Box 1	219.75	5.5	4.75	3	9,89	320,77	293,66	27,12	
	Tabletop width 28.25 inch	Box 3	34.25	8.5	3.0	3	1,06	109,79	104,50	5,29
		Box 4	34.25	575	3.0	1	0,35	6,83	5,95	0,88
Total:						11,65	437,40	404,11	33,29	
Marina picnic 550	Box 1	219.75	5.5	4.75	2	6,36	213,85	195,77	18,08	
	Tabletop width 34.25 inch	Box 2	219.75	5.5	3.25	2	4,24	142,42	130,51	11,90
		Box 3	34.25	8.5	3.0	3	1,41	113,76	108,47	5,29
		Box 4	34.25	575	3.0	1	0,35	8,42	7,54	0,88
Total:						12,36	478,45	442,29	36,16	

Box dimensions - Marina picnic 4 legs

The Marina picnic comes in 3 or 4 boxes

Box 1: 3 profiles



Box 2: 2 profiles



Box 3: Set picnic legs + mounting kit



Box 4: Endcaps (+ reinforcement profile) + mounting kit



Box dimensions (inch)		L	W	H	Qty	Volume (ft3)	Gross weight (lb)	Net weight (lb)	Packaging weight (lb)
Marina picnic 605	Box 1	241.25	5.5	4.75	3	10,95	353,18	322,76	30,42
Tabletop width 28.25 inch	Box 3	34.25	8.5	3.0	4	2,12	146,39	139,33	7,05
	Box 4	34.25	575	3.0	1	0,35	6,83	5,95	0,88
	Total:					13,42	506,40	468,04	38,36
Marina picnic 605	Box 1	241.25	5.5	4.75	2	7,42	235,01	215,17	19,84
Tabletop width 34.25 inch	Box 2	241.25	5.5	3.25	2	4,94	156,53	143,74	12,79
	Box 3	34.25	8.5	3.0	4	2,12	151,68	144,62	7,05
	Box 4	34.25	575	3.0	1	0,35	8,42	7,54	0,88
	Total:					14,83	551,64	511,08	40,57
Marina picnic 660	Box 1	263.0	5.5	4.75	3	12,01	384,93	352,52	32,41
Tabletop width 28.25 inch	Box 3	34.25	8.5	3.0	4	2,12	146,39	139,33	7,05
	Box 4	34.25	575	3.0	1	0,35	6,83	5,95	0,88
	Total:					14,48	538,15	497,80	40,34
Marina picnic 660	Box 1	263.0	5.5	4.75	2	7,77	256,62	235,01	21,61
Tabletop width 34.25 inch	Box 2	263.0	5.5	3.25	2	5,30	170,64	156,53	14,11
	Box 3	34.25	8.5	3.0	4	2,12	151,68	144,62	7,05
	Box 4	34.25	575	3.0	1	0,35	8,42	7,54	0,88
	Total:					15,54	587,36	543,70	43,65
Marina picnic 715	Box 1	284.75	5.5	4.75	3	12,71	417,34	381,62	35,71
Tabletop width 28.25 inch	Box 3	34.25	8.5	3.0	4	2,12	146,39	139,33	7,05
	Box 4	34.25	575	3.0	1	0,35	6,83	5,95	0,88
	Total:					15,19	570,56	526,90	43,65
Marina picnic 715	Box 1	284.75	5.5	4.75	2	8,83	278,22	254,41	23,81
Tabletop width 34.25 inch	Box 2	284.75	5.5	3.25	2	5,65	184,75	169,76	14,99
	Box 3	34.25	8.5	3.0	4	2,12	151,68	144,62	7,05
	Box 4	34.25	575	3.0	1	0,35	8,42	7,54	0,88
	Total:					16,95	623,07	576,33	46,74
Marina picnic 770	Box 1	306.25	5.5	4.75	3	13,77	449,08	411,38	37,70
Tabletop width 28.25 inch	Box 3	34.25	8.5	3.0	4	2,12	146,39	139,33	7,05
	Box 4	34.25	575	3.0	1	0,35	6,83	5,95	0,88
	Total:					16,24	602,30	556,67	45,64
Marina picnic 770	Box 1	306.25	5.5	4.75	2	9,18	299,39	274,26	25,13
Tabletop width 34.25 inch	Box 2	306.25	5.5	3.25	2	6,00	199,30	182,54	16,76
	Box 3	34.25	8.5	3.0	4	2,12	151,68	144,62	7,05
	Box 4	34.25	575	3.0	1	0,35	8,42	7,54	0,88
	Total:					17,66	658,79	608,96	49,82

Box dimensions - Marina picnic 5 legs

The Marina picnic comes in 3 or 4 boxes

Box 1: 3 profiles



Box 2: 2 profiles



Box 3: Set picnic legs + mounting kit



Box 4: Endcaps (+ reinforcement profile) + mounting kit



Box dimensions (inch)		L	W	H	Qty	Volume (ft3)	Gross weight (lb)	Net weight (lb)	Packaging weight (lb)
Marina picnic 825	Box 1	328.0	5.5	4.75	3	14,83	481,49	440,48	41,01
Tabletop width 28.25 inch	Box 3	34.25	8.5	3.0	5	2,47	182,98	174,17	8,82
	Box 4	34.25	575	3.0	1	0,35	6,83	5,95	0,88
	Total:					17,66	671,31	620,60	50,71
Marina picnic 825	Box 1	328.0	5.5	4.75	2	9,89	320,99	293,66	27,34
Tabletop width 34.25 inch	Box 2	328.0	5.5	3.25	2	6,71	213,41	195,77	17,64
	Box 3	34.25	8.5	3.0	5	2,47	189,60	180,78	8,82
	Box 4	34.25	575	3.0	1	0,35	8,42	7,54	0,88
	Total:					19,42	732,42	677,75	54,67
Marina picnic 880	Box 1	349.5	5.5	4.75	3	15,89	513,24	469,58	43,65
Tabletop width 28.25 inch	Box 3	34.25	8.5	3.0	5	2,47	182,98	174,17	8,82
	Box 4	34.25	575	3.0	1	0,35	6,83	5,95	0,88
	Total:					18,72	703,05	649,70	53,35
Marina picnic 880	Box 1	349.5	5.5	4.75	2	10,59	342,16	313,06	29,10
Tabletop width 34.25 inch	Box 2	349.5	5.5	3.25	2	7,06	227,52	209,00	18,52
	Box 3	34.25	8.5	3.0	5	2,47	189,60	180,78	8,82
	Box 4	34.25	575	3.0	1	0,35	8,42	7,54	0,88
	Total:					20,48	767,69	710,37	573,64
Marina picnic 935	Box 1	371.25	5.5	4.75	3	16,95	545,64	499,35	46,30
Tabletop width 28.25 inch	Box 3	34.25	8.5	3.0	5	2,47	182,98	174,17	8,82
	Box 4	34.25	575	3.0	1	0,35	6,83	5,95	0,88
	Total:					19,78	735,46	679,46	56,00
Marina picnic 935	Box 1	371.25	5.5	4.75	2	11,30	363,76	332,90	30,86
Tabletop width 34.25 inch	Box 2	371.25	5.5	3.25	2	7,42	241,63	221,79	19,84
	Box 3	34.25	8.5	3.0	5	2,47	189,60	180,78	8,82
	Box 4	34.25	575	3.0	1	0,35	8,42	7,54	0,88
	Total:					21,54	803,41	743,00	60,41
Marina picnic 990	Box 1	393.0	5.5	4.75	3	17,66	577,39	528,45	48,94
Tabletop width 28.25 inch	Box 3	34.25	8.5	3.0	5	2,47	182,98	174,17	8,82
	Box 4	34.25	575	3.0	1	0,35	6,83	5,95	0,88
	Total:					20,48	767,21	708,57	58,64
Marina picnic 990	Box 1	393.0	5.5	4.75	2	12,01	384,93	352,30	32,63
Tabletop width 34.25 inch	Box 2	393.0	5.5	3.25	2	7,77	256,18	235,01	21,16
	Box 3	34.25	8.5	3.0	5	2,47	189,60	180,78	8,82
	Box 4	34.25	575	3.0	1	0,35	8,42	7,54	0,88
	Total:					22,60	839,12	775,63	63,49

Box dimensions - Marina picnic 6 legs

The Marina picnic comes in 3 or 4 boxes

Box 1: 3 profiles



Box 2: 2 profiles



Box 3: Set picnic legs + mounting kit



Box 4: Endcaps (+ reinforcement profile) + mounting kit



Box dimensions (inch)		L	W	H	Qty	Volume (ft3)	Gross weight (lb)	Net weight (lb)	Packaging weight (lb)
Marina picnic 1045	Box 1	414.5	5.5	4.75	3	18,72	609,80	558,21	51,59
Tabletop width 28.25 inch	Box 3	34.25	8.5	3.0	5	3,18	219,58	209,00	10,58
	Box 4	34.25	575	3.0	1	0,35	6,83	5,95	0,88
	Total:					22,25	836,21	773,16	63,05
Marina picnic 1045	Box 1	414.5	5.5	4.75	2	12,36	406,53	372,14	34,39
Tabletop width 34.25 inch	Box 2	414.5	5.5	3.25	2	8,48	270,29	247,80	22,49
	Box 3	34.25	8.5	3.0	5	3,18	227,52	216,93	10,58
	Box 4	34.25	575	3.0	1	0,35	8,42	7,54	0,88
	Total:					24,37	912,76	844,41	68,34
Marina picnic 1100	Box 1	436.25	5.5	4.75	3	19,78	641,55	587,31	54,23
Tabletop width 28.25 inch	Box 3	34.25	8.5	3.0	5	3,18	219,58	209,00	10,58
	Box 4	34.25	575	3.0	1	0,35	6,83	5,95	0,88
	Total:					23,31	867,96	802,26	65,70
Marina picnic 1100	Box 1	436.25	5.5	4.75	2	13,07	427,70	391,54	36,16
Tabletop width 34.25 inch	Box 2	436.25	5.5	3.25	2	8,83	284,40	261,03	23,37
	Box 3	34.25	8.5	3.0	5	3,18	227,52	216,93	10,58
	Box 4	34.25	575	3.0	1	0,35	8,42	7,54	0,88
	Total:					25,43	948,03	877,04	70,99
Marina picnic 1155	Box 1	457.75	5.5	4.75	3	20,84	673,95	616,41	57,54
Tabletop width 28.25 inch	Box 3	34.25	8.5	3.0	5	3,18	219,58	209,00	10,58
	Box 4	34.25	575	3.0	1	0,35	6,83	5,95	0,88
	Total:					24,37	900,37	831,36	69,00
Marina picnic 1155	Box 1	457.75	5.5	4.75	2	13,77	449,30	410,94	38,36
Tabletop width 34.25 inch	Box 2	457.75	5.5	3.25	2	9,18	298,51	274,26	24,25
	Box 3	34.25	8.5	3.0	5	3,18	227,52	216,93	10,58
	Box 4	34.25	575	3.0	1	0,35	8,42	7,54	0,88
	Total:					26,49	983,75	900,85	74,08
Marina picnic 1210	Box 1	479.5	5.5	4.75	3	21,54	705,70	646,17	59,52
Tabletop width 28.25 inch	Box 3	34.25	8.5	3.0	5	3,18	219,58	209,00	10,58
	Box 4	34.25	575	3.0	1	0,35	6,83	5,95	0,88
	Total:					25,07	932,11	861,13	70,99
Marina picnic 1210	Box 1	479.5	5.5	4.75	2	14,48	470,47	430,78	39,68
Tabletop width 34.25 inch	Box 2	479.5	5.5	3.25	2	9,53	313,06	287,04	26,01
	Box 3	34.25	8.5	3.0	5	3,18	227,52	216,93	10,58
	Box 4	34.25	575	3.0	1	0,35	8,42	7,54	0,88
	Total:					30,72	1018,54	942,30	77,16

Floor fastening

The floor fastening is available in one version

Floor fastening box

The floor fastening comes in 1 box

[Box 8:](#) Floor fastening



Box dimensions (inch)		L	W	H	Qty	Volume (ft ³)	Gross weight (lb)	Net weight (lb)	Packaging weight (lb)
Floor fastening	Box 8	8.0	5.75	6.0	1	0,35	0,66	0,51	0,15

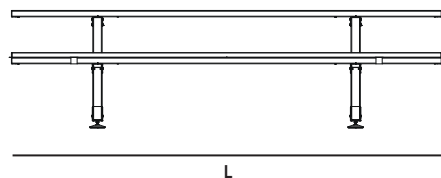
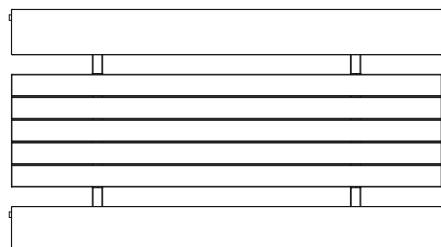
Cushion

The cushions are available in 3 lengths

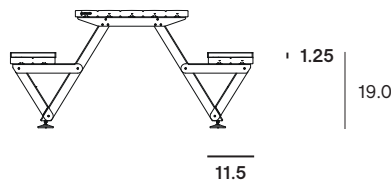
Cushion bag

The cushions come in 1 plastic bag

[Bag 1:](#) cushion



Dimensions (inch)	L
Cushion 165 cm	65.0
Cushion 220 cm	86.5
Cushion 275 cm	108.25

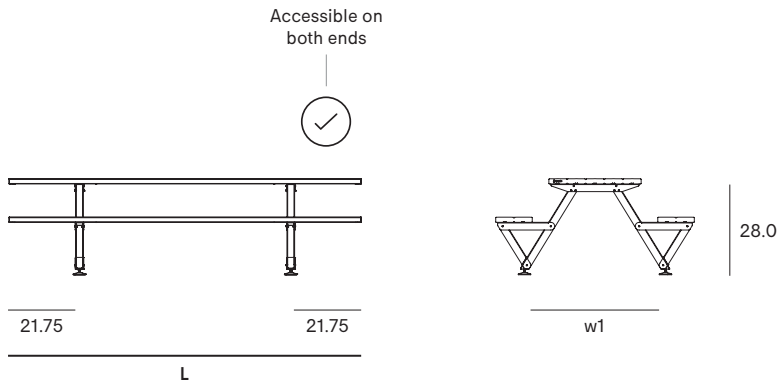


Box dimensions (inch)		L	W	H	Qty	Volume (ft ³)	Gross weight (lb)	Net weight (lb)	Packaging weight (lb)
Cushion 165 cm	Bag 1	65.0	11.5	1.25	1	0,35	4.43	4.41	0,02
Cushion 220 cm	Bag 1	86.5	11.5	1.25	1	0,71	6.0	5.95	0,02
Cushion 275 cm	Bag 1	108.25	11.5	1.25	1	0,71	7.52	7.50	0,02

Wheelchair accessibility dimensions

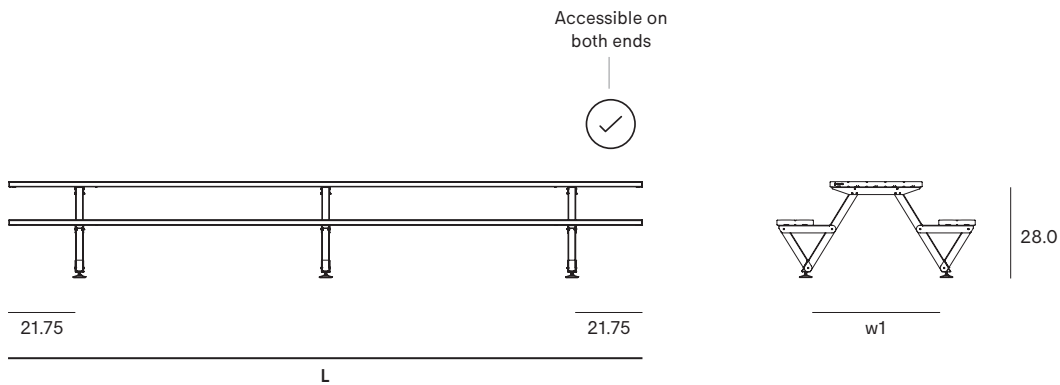
As specifications for wheelchair accessibility vary around the world, please review the dimensions below to ensure the measurements of each solution meet the specifications of your local requirements

The Marina picnic with two legs is wheelchair accessible
Not possible for the 165 cm version



Dimensions (inch)	L	w1 5 prof	w1 6 prof
Marina picnic 220	86.5	39.25	45.0
Marina picnic 275	108.25	39.25	45.0
Marina picnic 330	130.0	39.25	45.0

The Marina picnic with three, four, five & six legs are wheelchair accessible

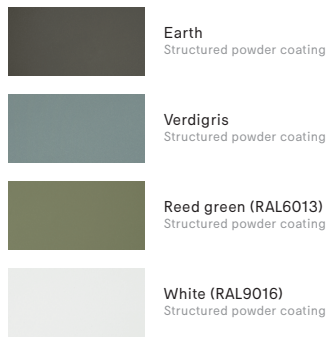


Dimensions (inch)	L	w1 5 prof	w1 6 prof
Marina picnic 385	151.5	39.25	45.0
Marina picnic 440	173.25	39.25	45.0
Marina picnic 495	195.0	39.25	45.0
Marina picnic 550	216.5	39.25	45.0
Marina picnic 605	238.25	39.25	45.0
Marina picnic 660	259.75	39.25	45.0
Marina picnic 715	281.5	39.25	45.0
Marina picnic 770	303.25	39.25	45.0
Marina picnic 825	324.75	39.25	45.0
Marina picnic 880	346.5	39.25	45.0
Marina picnic 935	368.0	39.25	45.0
Marina picnic 990	389.75	39.25	45.0
Marina picnic 1045	411.5	39.25	45.0
Marina picnic 1100	433.0	39.25	45.0
Marina picnic 1155	454.75	39.25	45.0
Marina picnic 1210	476.5	39.25	45.0

Materials & colors

Check price list or www.extremis.com for current materials & colors

Tabletop, benches legs & endcaps



Sunbrella® cushions



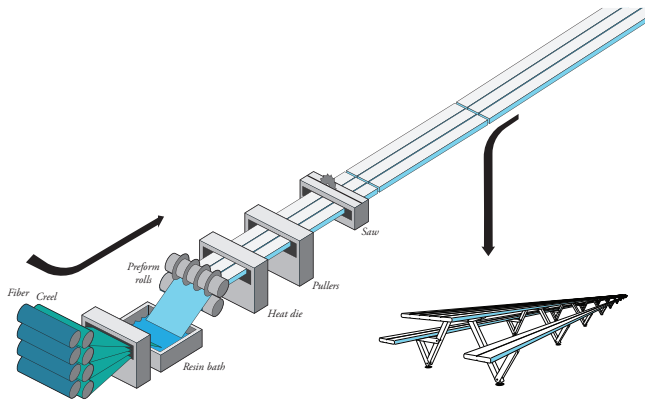
Materials	Key facts	Thickness	Layer thickness	Density	In/outdoor	Water	UV color fastness	Flame retarding
		inch	micron					
Coated fiberglass tabletop & benches	<ul style="list-style-type: none"> Made with pultrusion technique: a non-stop process of fibre glass wires pulled through a bath of polyester Strong Lightweight 	0,10	n.a.	0,11 10 ¹¹ lb/ft ³	Outdoor & indoor	n.a.	Very good: color can fade to some extent when exposed to UV	/
Structured powder coated electro galvanized steel legs	<ul style="list-style-type: none"> Easy to clean Electro galvanized (for extra protection against rust), then powder coated More scratch-resistant than non structured powder coating 	0,11	100	0,47 10 ¹¹ lb/ft ³	Outdoor & indoor	n.a.	Very good: color can fade to some extent when exposed to UV	NEN-EN13501-1 A1 *
Polyamide feet	<ul style="list-style-type: none"> Injection-moulded nylon Adjustable in height and surface 	n.a.	n.a.	0,07 10 ¹¹ lb/ft ²	Outdoor & indoor	n.a.	Very good	/
Sunbrella® cushions	<ul style="list-style-type: none"> 100% Sunbrella Acrylic Best outdoor fabric available for making cushions Dirt repellent Not waterproof, store inside! Machine washable at max. 30°C. Ironing restores the protective layer 	0,02	n.a.	9,17 oz/ft ²	Outdoor & indoor	The fabric has a water column of 350 mm (EN 20811)	7/8 (ISO 105-B02)	/

NEN-EN13501-1 A1

Class A1 products will not contribute to fire in any stage, including fully developed fire. For this reason, they are assumed to be capable of satisfying all requirements of all lower classes as well.

Good to know

- 21.5 inch bench space / person.
- The average transport volume is 6.0 ft³ / person, which is really low.
- Fiberglass reinforced polyester resin material is made with the so-called pultrusion technique. Pultrusion is a non-stop process of pulling fiberglass wires through a bath of polyester resin and letting them harden in a matrix afterwards to get their final shape.
- Main advantages of this material are its strength and low weight.



Floor fastening

Marina picnic comes with an optional floor fastening set. Find more instructions in the manual.



Maintenance

POWDER COATED PARTS

- White powder coating obviously requires more maintenance.

SUNBRELLA

- Shake or brush off loose dirt immediately.
- Spray Extremis Multi Cleaner.
- Use a soft brush and make circular movements.
- Let the suds soak in for a moment.
- Rinse thoroughly to remove all soap residue.
- Simply allow to dry.
- It's also possible to put the blanket and the pillow covers in a washing machine (max 40°C). Follow the cleaning instruction on the label.
- If the cushion has metal brackets, we recommend turning the cover inside out first to avoid damaging the washing machine. In this case, leave the zipper open about 10 cm.

F.A.Q.

Q: What is the biggest size possible?

A: We have produced a 1181 inch table, the only problem is transport. We can deliver tables up to 236.25 inch without extra costs.

Q: What about UV-resistance?

A: By adding special additives, the material of the Marina picnic has a much higher UV-resistance than other white synthetics. We don't have to tell you that that white will not stay brilliantly white.

Q: Are the legs corrosion-resistant?

A: The legs are first galvanized, and powder-coated afterwards. This way, we have a double protection layer.

Warnings

General

- Do not use any sharp tools to open the packaging.
- We strongly advise against using power tools.
- Tripping hazard, mind your step.
- Do not put out cigarettes on the table.
- Not graffiti proof.
- Do not leave children unattended whilst playing on the table.
- To avoid danger of suffocation, keep plastic bags away from babies and children.
- Colors can differ over years and from batch to batch.

Product

- Do not drag the table, but carry it with minimum 2 people.
- Anchoring the product has to be done by qualified people.

- For anchoring: use suitable bolts or screws from a specialized store depending on the material your terrace is made of.
- We strongly advise you against standing on top of the table! A concentrated load can cause small perceptible cracks in the profiles that might be visually annoying, although they do not affect the strength of the table in any way.
- For table with 3 legs or more, we recommend using trestles to attach the table leg assemblies to the tabletop, instead of keeping it upside down.

Coated fiberglass

- Do not use abrasive scouring powders or scourers as they will scratch the surface.
- Color can fade to some extent when exposed to UV.
- Dark colors can get very hot in sunny weather.

Powder coating

- White powder coating requires more maintenance.
- Do not use abrasive scouring powders or scourers as they will scratch the surface.
- Color can fade to some extent when exposed to UV.
- Flame retarding - NEN-EN13501-1 A2-sl - Satisfying the same criteria as Class B for the SBI-test according to EN13823. In addition, under conditions of a fully developed fire these products will not significantly contribute to the fire load and fire growth.
- Dark colors can get very hot in sunny weather.

Sunbrella

- Not waterproof, store inside!
- Shake or brush off loose dirt immediately.
- UV color fastness: 7/8 (ISO 105-B02).

The content of this document, in particular the mentioned models, is protected by copyrights and/or design rights. The present document and its content is communicated to you for information purposes only. Any partial or total reproduction or any other use without our prior written permission is strictly prohibited. This technical sheet remains subject to possible changes. **All dimensions are in inch**, unless mentioned otherwise. Extremis is not responsible for the errors in the documentation of products. All measurements are approximate and are provided for informational purposes only.

**Tech
sheet**
20230302