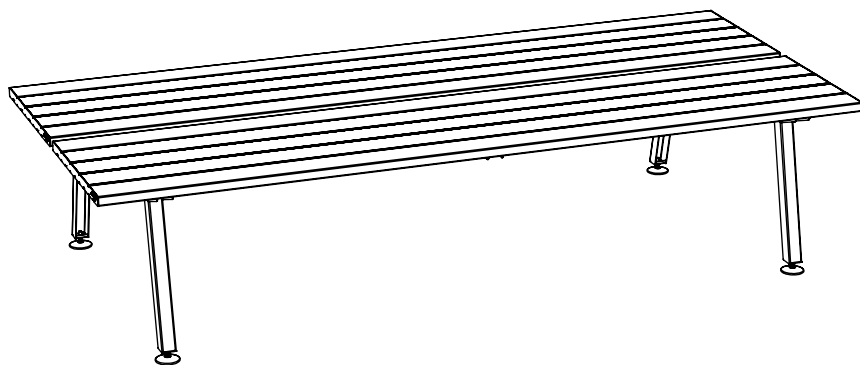
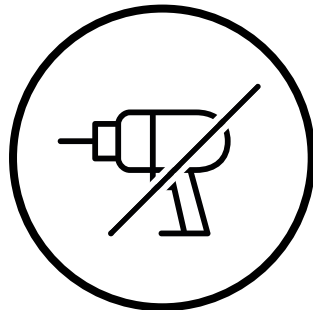


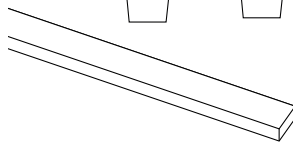
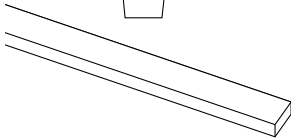
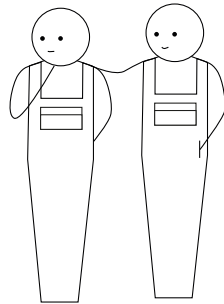
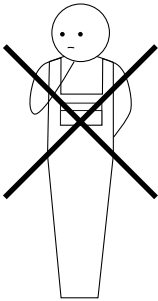
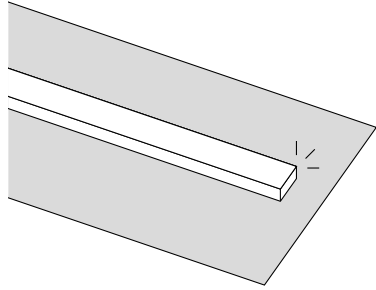
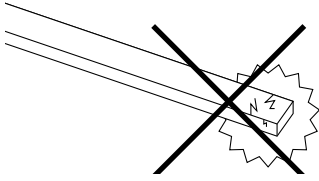
# Marina double desk



**extremis®**

**IMPORTANT! RETAIN FOR FUTURE  
REFERENCE: PLEASE READ ALL SAFETY  
NOTES AND INSTRUCTIONS. FAILURE  
TO COMPLY WITH THESE MAY RESULT  
IN SEVERE INJURIES.**





# Table of contents <sup>1/1</sup>

**Mounting kit <sup>↗</sup>**

---

**Assembly Marina double desk <sup>↗</sup>**

---

**Monitor holder <sup>↗</sup>**

---

**Warnings - Text instructions -  
Maintenance <sup>↗</sup>**

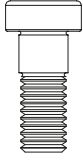
**This is an interactive PDF**

You can easily navigate through this manual, allowing you to smoothly jump from one page to the other.

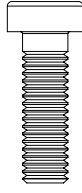
# Mounting kit



13 x M6



13 x M6x16



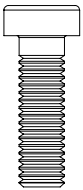
13 x M6x20

Mounting kit **MAR227** to fix  
the table leg



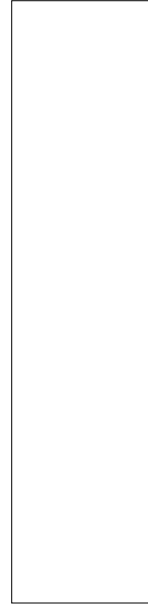
13 x M5x12

Mounting kit **MAR226**  
to fix the endcaps



13 x M6x20

Mounting kit **MAR222** to fix  
the extra table support



12 x spacer

Mounting kit **MAR208** spacers for  
the tabletop



# Marina double desk

1.

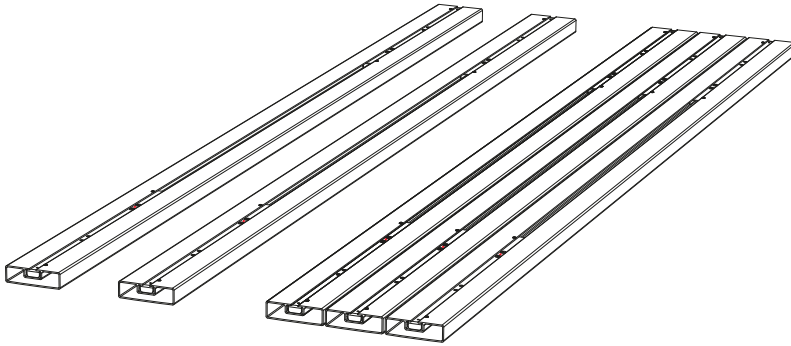
N° 10 - 17



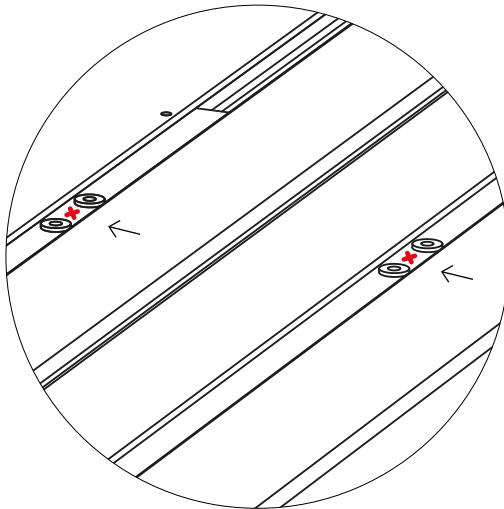
N° 3 - 4



45'



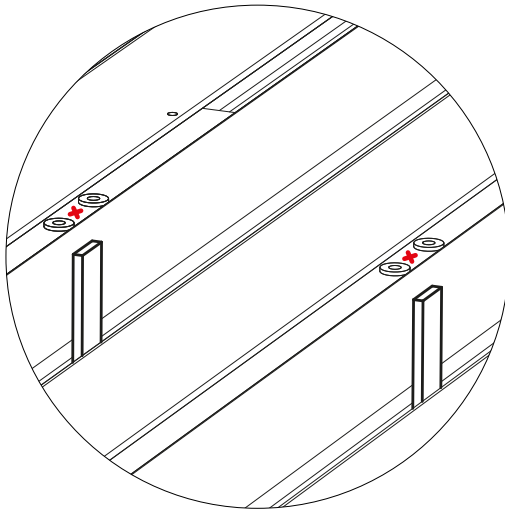
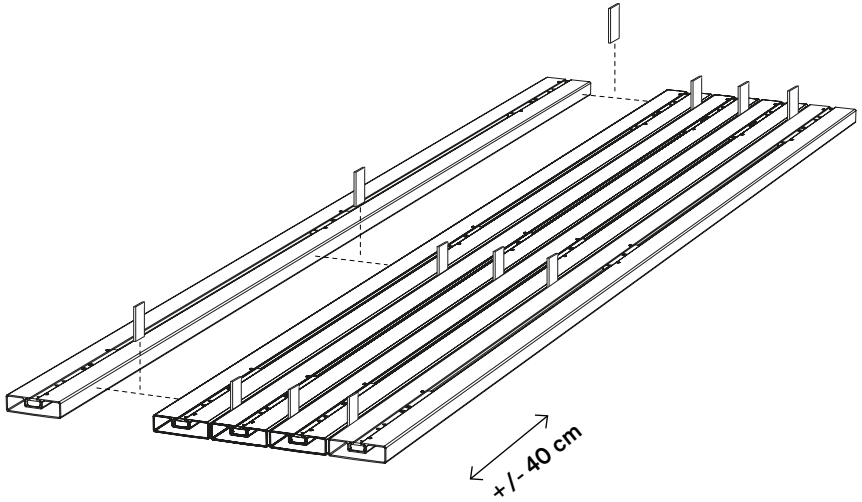
**Put the profiles on a protected surface**



**If there are more than 2 legs, make sure the crosses on the bottom side of the profiles are facing the same side**

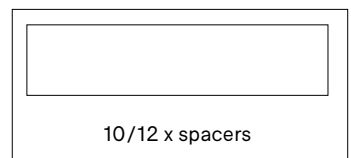


2.

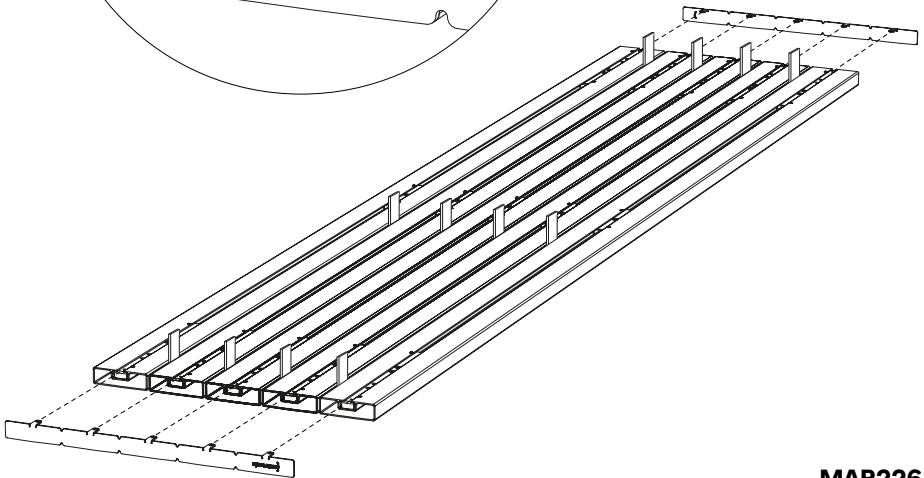
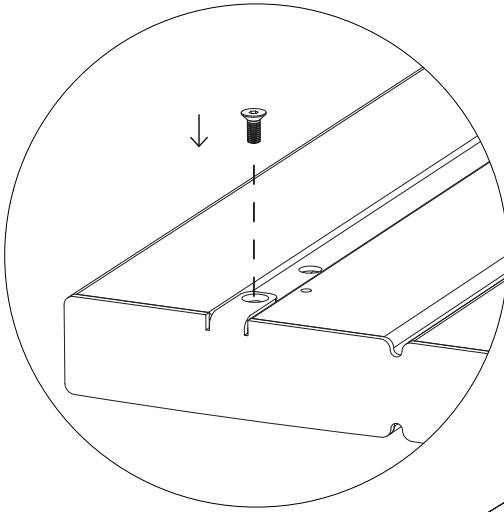


**MAR208**

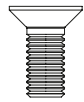
**Insert a spacer plate between each profile at about 40 cm from the end**



3.



**MAR226**



10/12 x M5x12

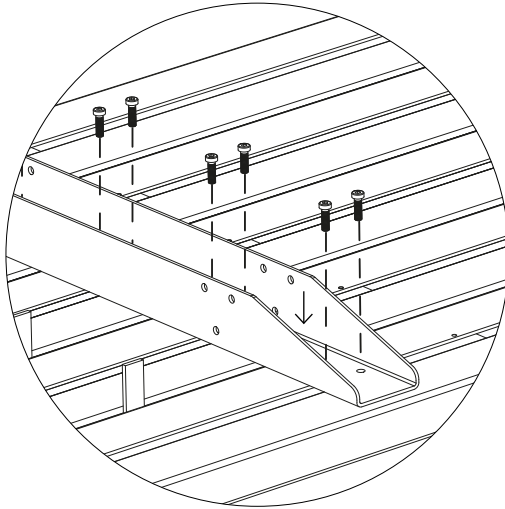
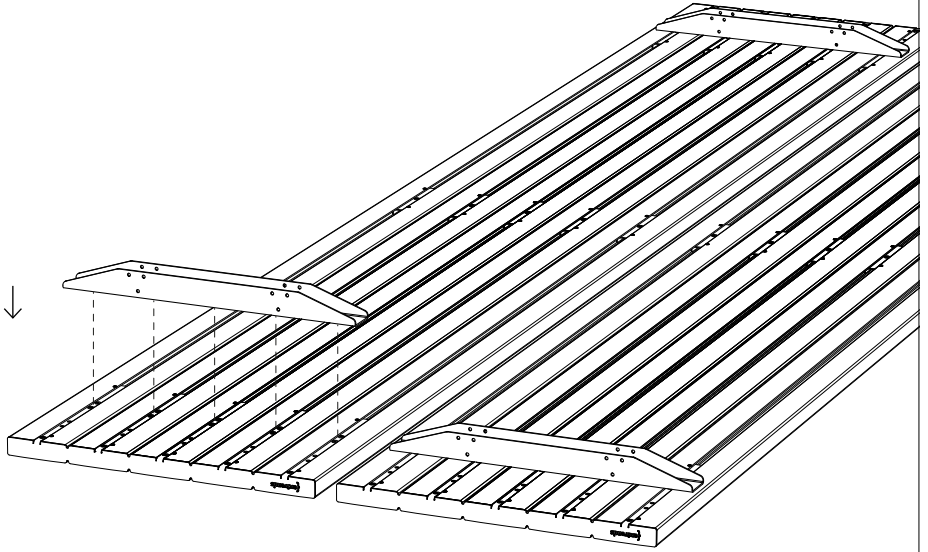
**Do this on both sides -  
Tighten all bolts!**

4.

**Repeat steps 1 - 3 for the 2nd tabletop**

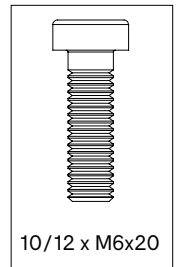


5.

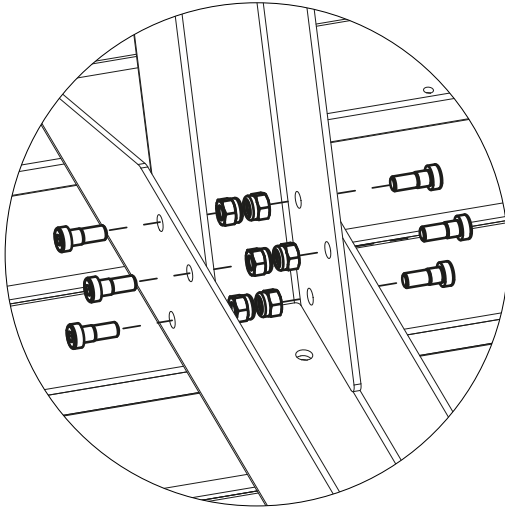
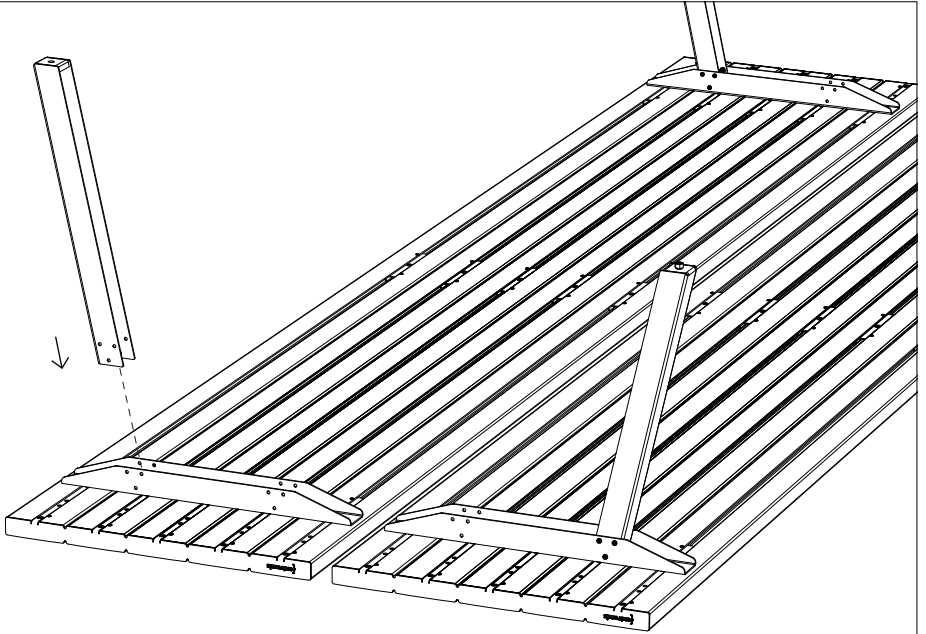


**Do this for all tabletop connections -  
Tighten all bolts!**

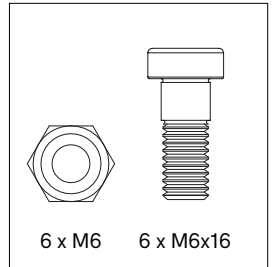
**MAR227**  
per leg



6a.

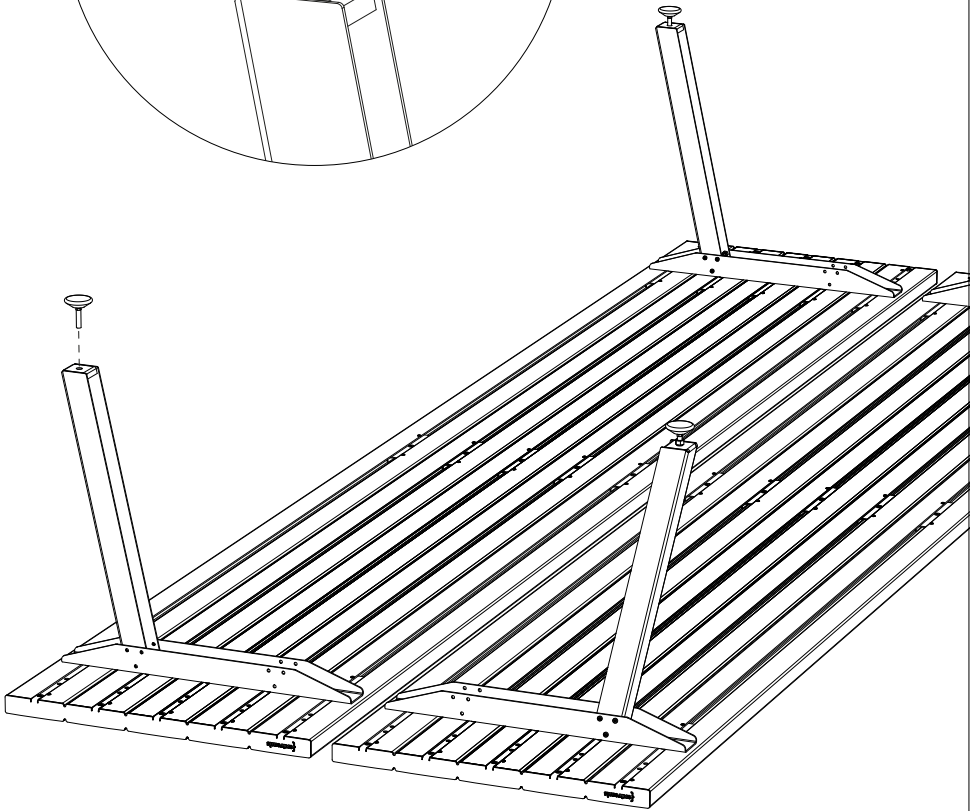
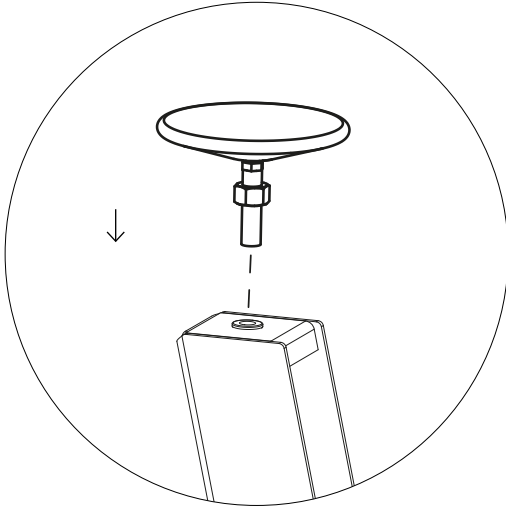


**MAR227**  
per leg

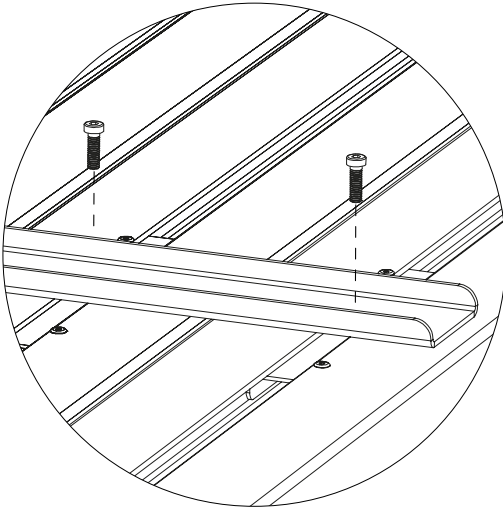
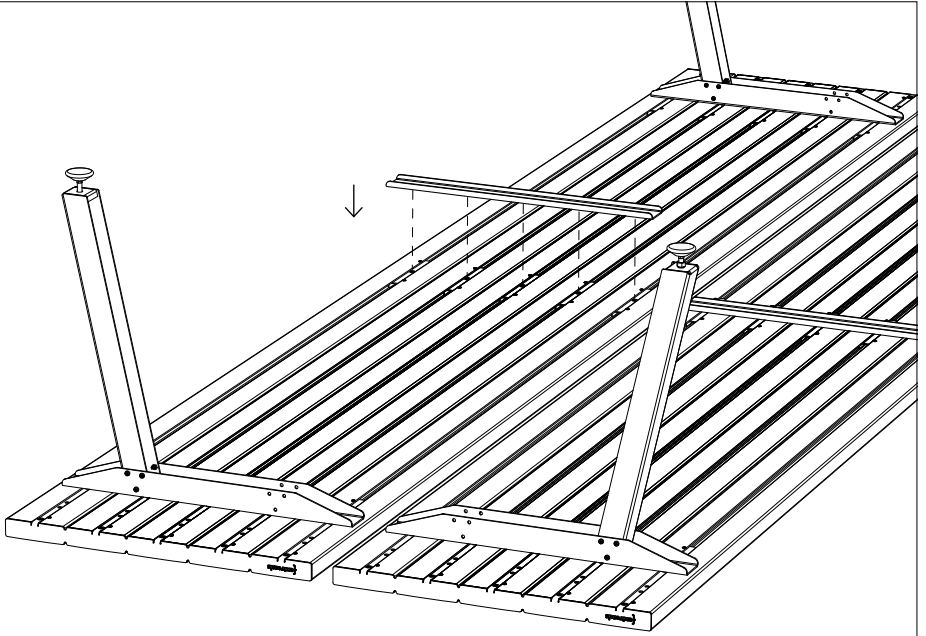


**Do this for all table legs -  
Tighten all bolts!**

6b.

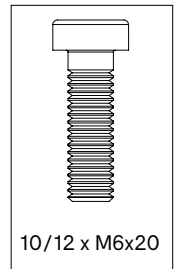


7.

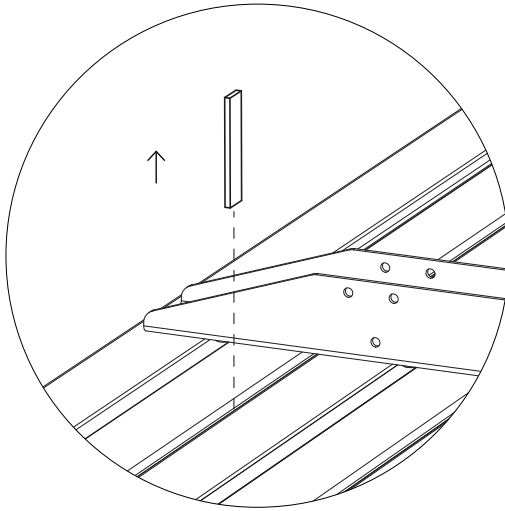


**Tighten all bolts!**

**MAR222**

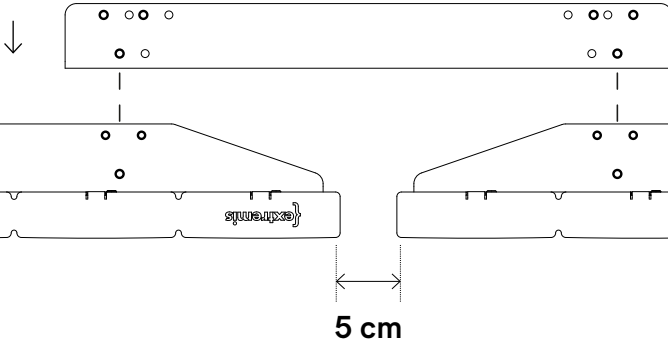
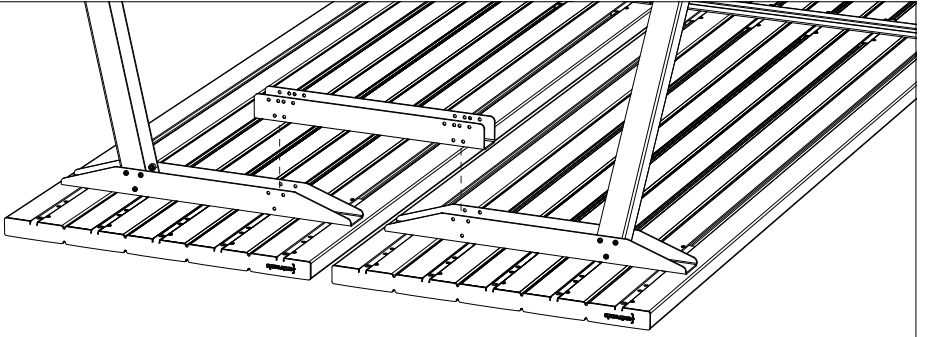


8.

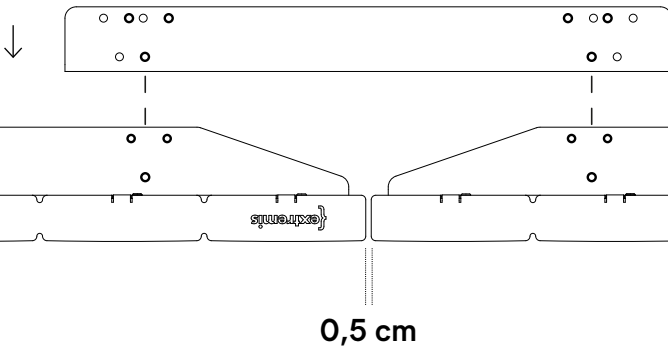


**Remove all spacers**

9a.

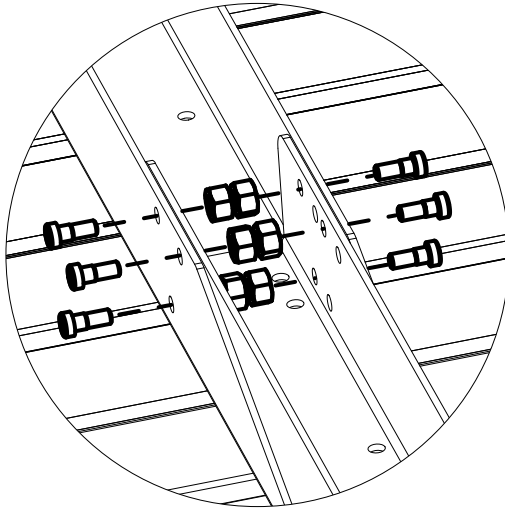


**Use the outer holes if you want a distance  
of 5 cm between the tabletops**



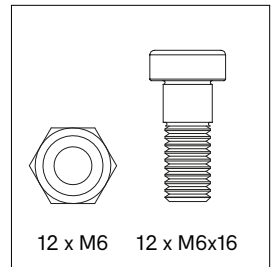
**Use the inner holes if you want a distance  
of 0,5 cm between the tabletops**

9b.

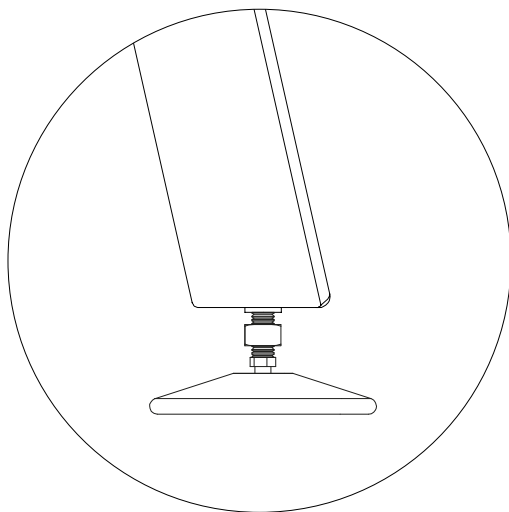


**Do this on both sides -  
Tighten all bolts!**

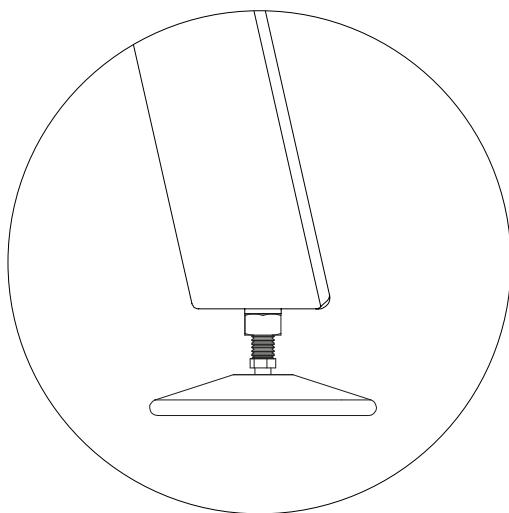
**MAR227**



10.



**Level the table by turning the leveling feet to greater or lesser extent**



**Tighten the bolt!**



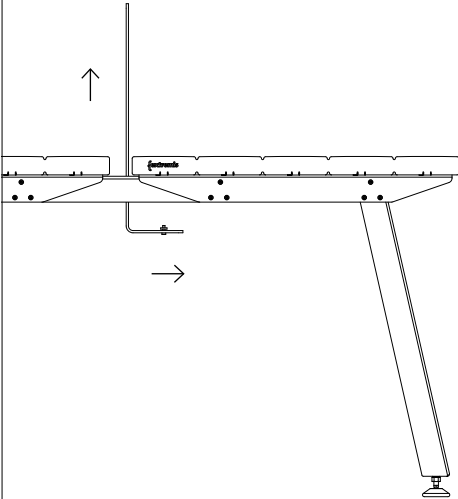
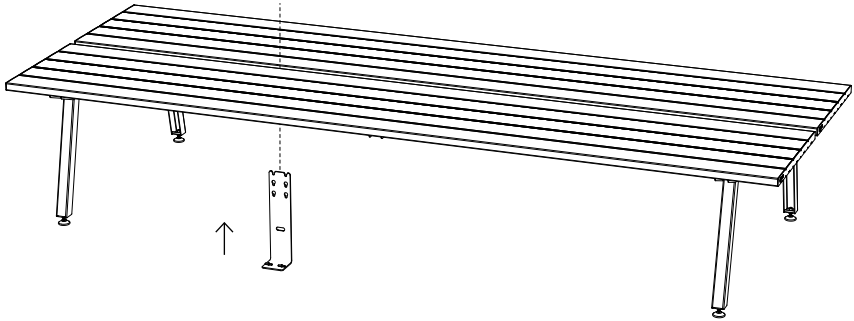
# Monitor holder

1a.

N° 3

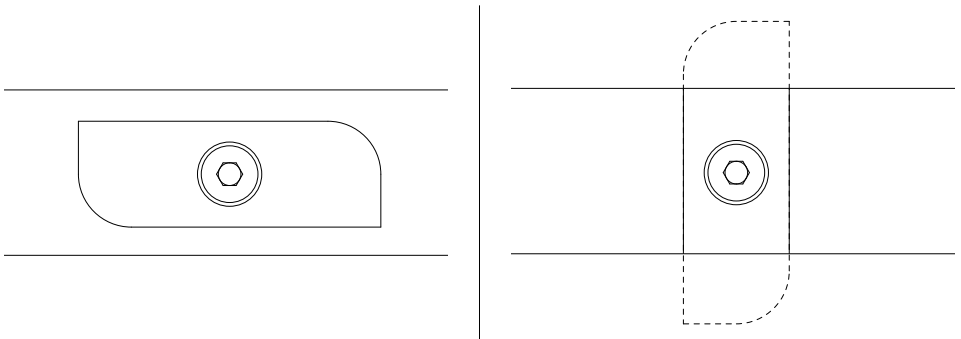
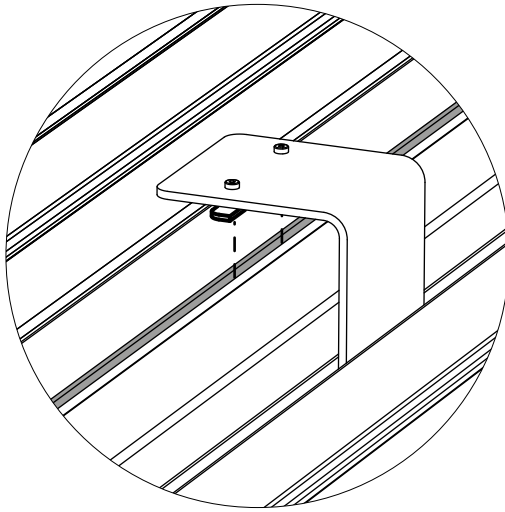


10'



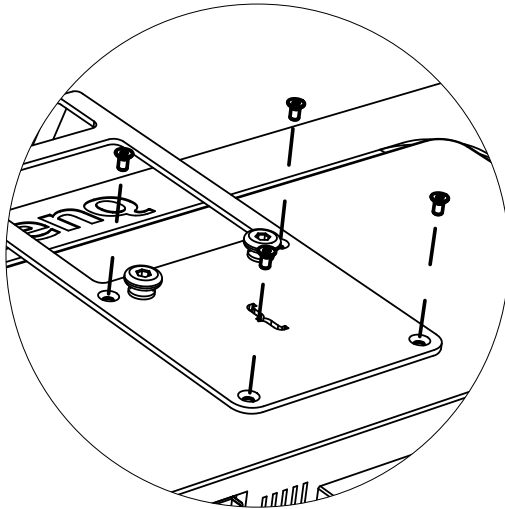
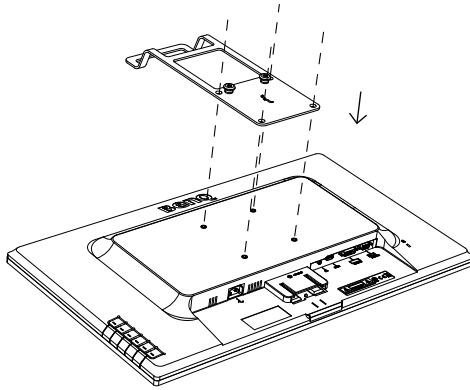
**Make sure the horizontal part  
is facing the side where you sit**

1b.



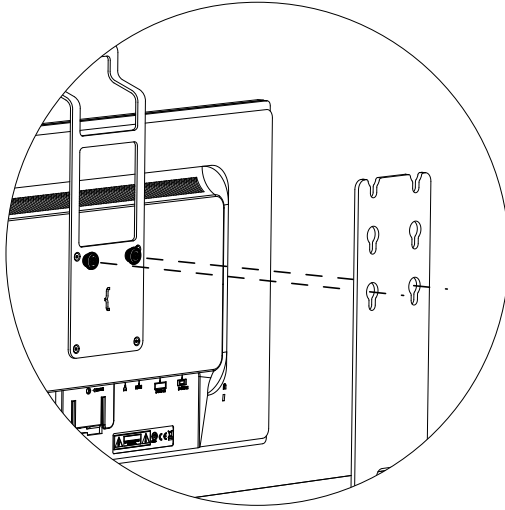
**Secure both anker plates inside the  
tabletop profile by turning it 90°  
Tighten the bolts!**

2.

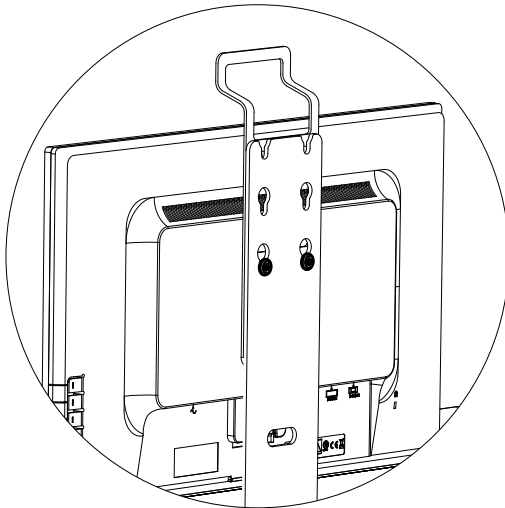


**Tighten all bolts!**

3.



**Position the screen in the desired holes of  
monitor holder**



# **Warnings**

# **Text instructions**

# **Maintenance**

**Warnings** ↗

---

**Assembly text instructions** ↗

---

**Maintenance** ↗



# Warnings

## General

- Do not use any sharp tools to open the packaging.
- We strongly advise against using power tools.
- Tripping hazard, mind your step.
- Do not put out cigarettes on the bench.
- Not graffiti proof.
- Do not leave children unattended whilst playing on the bench.
- To avoid danger of suffocation, keep plastic bags away from babies and children.
- Colors can differ over years and from batch to batch.

## Product

- Do not drag the table, but carry it with minimum 2 people.
- We strongly advise you against standing on top of the table! A concentrated load can cause small perceptible cracks in the profiles that might be visually annoying, although they do not affect the strength of the table in any way.
- For table with 3 legs or more, we recommend using trestles to attach the table leg assemblies to the tabletop, instead of keeping it upside down.

## Powder coating

- White powder coating requires more maintenance.
- Do not use abrasive scouring powders or scourers as they will scratch the surface.
- Color can fade to some extent when exposed to UV.
- Flame retarding - NEN-EN13501-1 A2-sl - Satisfying the same criteria as Class B for the SBI-test according to EN13823. In addition, under conditions of a fully developed fire these products will not significantly contribute to the fire load and fire growth.



- Dark colors can get very hot in sunny weather.

## **Coated fiberglass**

- Do not use abrasive scouring powders or scourers as they will scratch the surface.
- Color can fade to some extent when exposed to UV.
- Dark colors can get very hot in sunny weather.



# Assembly text instructions



Take a look at the drawings, starting from page 6

## Marina double desk (p6)

1. Place the 5 or 6 tabletop profiles on the floor with the slot openings facing up and use the packaging as protection. If there are more than 2 legs, make sure the crosses on the bottom side of the profiles are facing the same side.
2. Insert a spacer plate between each profile at about 40 cm from the end.
3. Insert the tabletop end pieces with the lips into the slots from left to right. Fasten them using 5 or 6 M5x12 countersunk bolts. Do this for both sides, the other side going from right to left. Attention: Max. 4,8 Nm.
4. Repeat steps 1 - 3 for the 2nd tabletop.
5. Put the 2 table tops next to each other, with the slots facing upwards. Now fasten the tabletop connection to the profiles, each time at the intended place, using 10/12 M6x20 bolts. Tighten all bolts!
6. **a.** Slide the table legs into the tabletop connection so that the holes are aligned, and secure them with the help of the six M6x16 bolts and M6 lock nuts per leg. First, place all the bolts in the holes and make sure that the bolts are on the outside.  
**b.** Now screw the leveling feet into the legs.
7. Fasten the reinforcement profiles to the tabletop profiles using 5/6 M6x20 bolts each. Tighten all bolts!
8. Now remove the spacers.



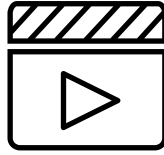


9. **a.** Insert the coupler, with the slots facing upwards, in the middle of the 2 table legs. Attention: Use the outer holes if you want a distance of 5 cm between the tabletops. Use the inner holes if you want a distance of 0,5 cm between the tabletops.  
**b.** Fasten them using 12 M6x20 bolts and 12 lock nuts. Tighten all bolts!
10. Level the table by turning the leveling feet to greater or lesser extent and fasten them by tightening the nut against the leg.

## **Monitor holder** (p17)

1. **a.** Slide the monitor holder in between the two tabletops. Make sure the horizontal part is facing the side where you sit.  
**b.** Secure both anker plates inside the tabletop profile by turning it 90°. Tighten the bolts!
2. Position the bracket on the computer screen and fasten it with 4 bolts.
3. Now slide the screen with bracket in the desired holes of the monitor holder, depending on the height you wish to install it.





Watch the maintenance videos on our website:

[www.extremis.com/maintenance](http://www.extremis.com/maintenance)

## **Powder coating**

### **CLEANING**

#### Regularly

Use Extremis Multicleaner, a 100% biodegradable detergent or common kitchen cleaning products. Avoid using aggressive products. These surfaces are best cleaned with a neutral cleaning product diluted in water.

### **REPAIRING DAMAGED POWDER COATING**

#### When damaged

The impact of sharp objects can damage the coating. Scratches or dents can be touched up with our paint pens. However this only camouflages the scratches without removing them.

## **Coated fiberglass**

### **CLEANING**

#### When dirty, after use

Use Extremis Multicleaner, a 100% biodegradable detergent or common kitchen cleaning products. Avoid using aggressive products. These surfaces are best cleaned with a neutral cleaning product diluted in water.



## SPILLED LIQUIDS

### Immediately after use

It is best to treat spilt liquids immediately by placing a sheet of absorbent kitchen paper on them. The Ther earlier you clean them, the easier they're gone.





Our headquarters:  
Couthoflaan 20b  
B-8972, Poperinge  
info@extremis.com  
+ 32 57 346020

**extremis.com**

Connect with us



All rights reserved. Unless otherwise specified, all designs and photographs contained in this publication are copyright protected and are the property of Extremis. No part of this publication may be copied or distributed without Extremis' prior written consent. The names of the authors of photographs to which we do not hold rights are mentioned here. We have done our utmost to provide a comprehensive list of names. In the event of an alleged breach, please contact the editorial staff. © Extremis

LAB023